

# PFX-3126

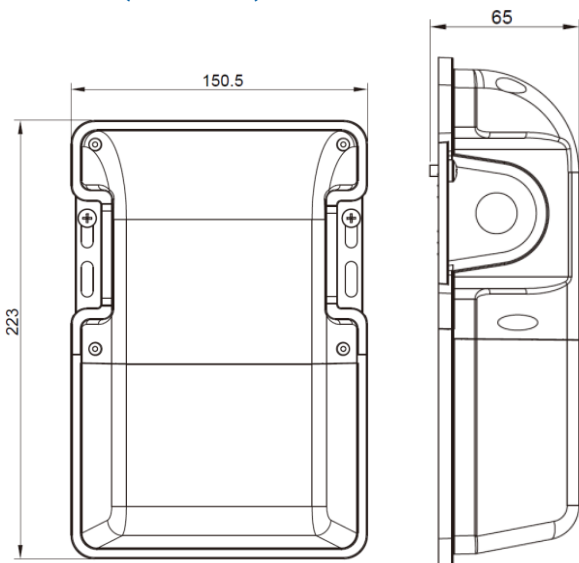
LUMEN AND KELVIN SELECTABLE WRAP LIGHT ECONOMY



## FEATURES

- Field selectable 3000k (warm white), 4000k (neutral white), and 5000k (cool white) color temperatures.\*
- Long-life LEDs provide at least 70% of initial lumen output (L70) for > 156,000 hours of operation, and at least 90% of initial lumen output (L90) for > 47,000 hours of operation.\*
- LED chromaticity based on < 5-step ANSI quadrangles.
- LED color maintenance < 0.003 chromaticity shift ( $\Delta u'v'$ ) over the initial 6,000 hours of operation.
- Provides a range of 1,900 to 3,300 nominal lumens and 126 to 145 nominal lumens per watt (lm/W).
- 0-10vdc dimming drivers are standard.
- Universal 120- 277 AC voltage (50- 60Hz) is standard.
- Power factor > 0.90.
- Total harmonic distortion < 20%.
- Color rendering index (R a) > 80.
- Integral photocell is standard.
- Cast aluminum housing with dark bronze, powder coat finish.
- Diffused polycarbonate lens.
- Easy installation in new construction or retrofit applications.

## DIMENSION (INCHES)



## ORDERING GUIDE

Sample Part PFX-3126

Series	Nominal Lumen Output		Select
	PFX	3L	

**Disclaimer:**

Due to the rapid pace of technology change in the Lighting industry, the Information and Data presented in this spec sheet is for reference purpose the order or design. PARAFLEX does not warrant or represent that the information is free from errors or omission. The information may change without notice and PARAFLEX is not in any way liable for the accuracy of any information printed and stored or in any way interpreted or used.

# PFX-3126

LUMEN AND KELVIN SELECTABLE WRAP LIGHT ECONOMY



## ELECTRICAL DATA

Series	Measurements	Low Lumens			Mid Lumens			High Lumens		
		3000K	4000K	5000K	3000K	4000K	5000K	3000K	4000K	5000K
PFX-3126 LFS	Lumens	1939	2090	2105	2496	2709	2711	3070	3327	3325
	Watts	15	14	15	19	19	19	24	24	24
	Efficacy1	32	1451	43	129	143	140	126	140	137
	Input Current (A)	120V = 0.13A	120V = 0.12A	120V = 0.13A	120V = 0.16A	120V = 0.16A	120V = 0.16A1	20V = 0.20A1	20V = 0.20A1	20V = 0.20A
240V = 0.06A		240V = 0.06A	240V = 0.06A	240V = 0.08A	240V = 0.08A	240V = 0.08A2	40V = 0.10A2	40V = 0.10A2	40V = 0.10A	
277V = 0.05A		277V = 0.05A	277V = 0.05A	277V = 0.07A	277V = 0.07A	277V = 0.07A2	77V = 0.09A2	77V = 0.09A2	77V = 0.09A	

## PHOTOMETRIC DATA

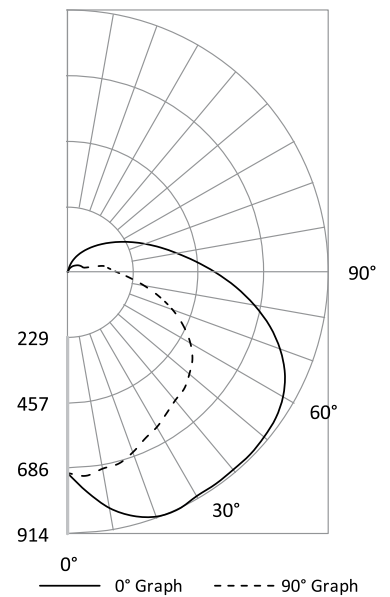
### Luminaire Data

Description	Economy Wall Pack 3L 5K - 3126
Total Lumens	3,325
Input Wattage	24
Efficacy (lm/W)	137
Max. Cd.	914.57 (360H, 24V)
IES Classification	Type IV
Longitudinal Classification	Very Short

### Luminaire Classification Systems (LCS)

LCS Zone		Lumens	%Lum
FL	0-30	340	10.2%
FM	30-60	887	26.7%
FH	60-80	634	19.1%
FVH	80-90	239	7.2%
BL	0-30	192	5.8%
BM	30-60	267	8.0%
BH	60-80	112	3.4%
BVH	80-90	34	1.0%
UL	90-100	205	6.2%
UH	100-180	415	12.5%
<b>Total</b>		<b>3,325</b>	<b>99.9%</b>
BUG Rating		B1-U3-G3	

### 180° Polar Graph



### Zonal Lumen Summary

Zone	Lumens	%Fixt
0-30°	532	16.0%
0-60°	1,686	50.7%
0-80°	2,433	73.2%
80-90°	273	10.1%*
0-90°	2,705	81.4%
90-110°	353	10.6%
110-180°	0	0.0%
0-180°	3,325	100.0%

\* 80-90° glare zone is calculated by dividing the lumens in that zone by the lumen total in the 0-90° zone

**Disclaimer:**

Due to the rapid pace of technology change in the Lighting industry, the Information and Data presented in this spec sheet is for reference purpose the order or design. PARAFLEX does not warrant or represent that the information is free from errors or omission. The information may change without notice and PARAFLEX is not in any way liable for the accuracy of any information printed and stored or in any way interpreted or used.