

# PFX-3157

Cylinder Wallpack Up/Down



## HOUSING

- Premium powder-coat, aluminum, dark bronze housing.

## Electrical

- Operating temperature (ambient): -40°C to 45°C (-40°F to 113°F).
- Universal 120-277V AC voltage (50-60Hz) is standard.
- Field selectable output, with 3 levels for each model.
- 0-10VDC dimming drivers are standard.
- Internal switch allows a choice of up only, down only, or both up and down.
- Internal photocell is standard. Photocell can be enabled or disabled by switch.
- Surge protection = 4kV.
- Power factor > 0.90.
- Total Harmonic distortion < 20%.

## Optical System

- High temperature resistant toughened glass lens.
- Field selectable 3000k(warm white), 4000k (neutral white) and 5000k (cool white) color temperatures\*.
- PFX-3157-UPDN-976L-3CCT provides a range of 600 to 900 nominal lumens\*.
- PFX-3157-UPDN-201712L-3CCT provides a range of 1,200 to 2,000 nominal lumens\*.
- PFX-3157-UPDN-302722L-3CCT provides a range of 2,200 to 3,000 nominal lumens\*.
- Long-life LEDs provide 140,000 hours of operation with at least 70% of initial lumen output (L70)\*\*.
- Beam angle 35°.
- LED color maintenance < 0.00342 chromaticity shift ( $\Delta u'v'$ ) over the initial 6,000 hours of operation.
- Color rendering index > 90.

Default 4000k color temperature and highest lumen output.

\*\*L70 hours are IES TM-21-11 calculated hours.

## Installation and Mounting

- Wall mount kit
- Easy installation in new construction or retrofit applications.

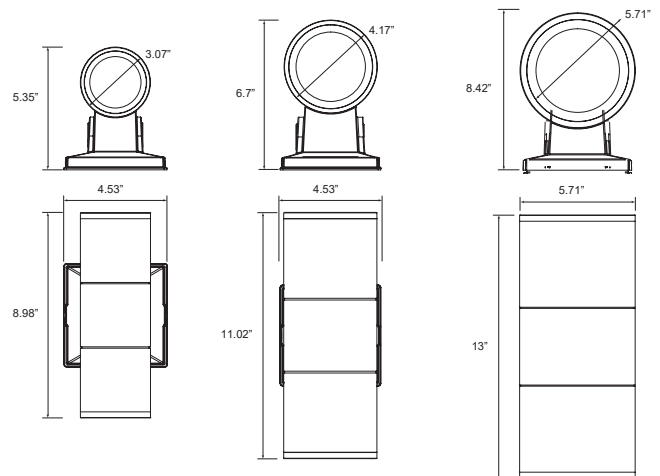


## Code Compliance

- cULus listed for wet locations.
- Complies with FCC part 15, class B.
- IP65 rated for ingress protection.

## Warranty

- 5 year warranty on all electronics and housing.



Model #	L (in)	W (in)	H (in)	Ø(in)	Weight (lbs)
PFX-3157-UPDN-976L-3CCT	4.53	5.35	8.98	3.07	2.65
PFX-3157-UPDN-201712L-3CCT	4.53	6.7	11.02	4.17	4.13
PFX-3157-UPDN-302722L-3CCT	5.71	8.42	13	5.71	6.48

**Disclaimer:**

Due to the rapid pace of technology change in the Lighting industry, the Information and Data presented in this spec sheet is for reference purposes only, please confirm with PARAFLEX at the time of finalizing the order or design. PARAFLEX does not warrant or represent that the information is free from errors or omission. The information may change without notice and PARAFLEX is not in any way liable for the accuracy of any information printed and stored or in any way interpreted or used.

**PFX-3157**  
Cylinder Wallpack Up/Down



**ORDERING GUIDE**

Example: PFX-3157-UPDN-302722L-3CCT

Series	Nominal Lumen Output (Selectable)		CCT Selectable
	976L	900 / 700 / 600	
PFX-3157-UPDN	201712L	2,000 / 1,700 / 1,200	3CCT 3K / 4K / 5K
	302722L	3,000 / 2,700 / 2,200	

**COMPATIBLE DIMMERS AND CONTROLS**

Manufacturer	Model Number	Dimmer Range	Load Switching Capacity
Leviton	IP710-LFZ	10%-100%	1200W
Lutron	DVSTV	10%-100%	450W

**LUMEN TABLES**

Series	Measurements	Low Lumens			Mid Lumens			High Lumens		
		3000K	4000K	5000K	3000K	4000K	5000K	3000K	4000K	5000K
PFX-3157-UPDN-976L-3CCT	Lumens	502	565	590	625	707	735	763	864	894
	Watt	6.07	5.99	6.06	7.62	7.49	7.61	9.37	9.19	9.33
	Efficacy	83	94	97	82	94	97	81	94	96

Series	Measurements	Low Lumens			Mid Lumens			High Lumens		
		3000K	4000K	5000K	3000K	4000K	5000K	3000K	4000K	5000K
PFX-3157-UPDN-201712L- 3CCT	Lumens	1115	1225	1277	1487	1662	1716	1739	1959	1999
	Watt	12.31	12.14	12.32	16.82	16.61	16.88	20.07	19.79	20.1
	Efficacy	91	101	104	88	100	102	87	99	99

Series	Measurements	Low Lumens			Mid Lumens			High Lumens		
		3000K	4000K	5000K	3000K	4000K	5000K	3000K	4000K	5000K
PFX-3156-UPDN-302722L- 3CCT	Lumens	2004	2162	2237	2443	2660	2716	2663	2912	2979
	Watt	23.65	23.48	23.91	29.88	29.63	30.09	34.66	34.43	34.85
	Efficacy	85	92	94	82	90	90	77	85	85

**Disclaimer:**  
Due to the rapid pace of technology change in the Lighting industry, the Information and Data presented in this spec sheet is for reference purposes only, please confirm with PARAFLEX at the time of finalizing the order or design. PARAFLEX does not warrant or represent that the information is free from errors or omission. The information may change without notice and PARAFLEX is not in any way liable for the accuracy of any information printed and stored or in any way interpreted or used.

**PFX-3157**  
Cylinder Wallpack Up/Down



**ELECTRICAL DATA**

Series	CCT	Input Amps (A)								
		Low Lumens			Mid Lumens			High Lumens		
		120V	240V	277V	120V	240V	277V	120V	240V	277V
PFX-3157-UPDN-976L-3CCT	3000k	0.05	0.03	0.02	0.06	0.03	0.03	0.08	0.04	0.03
	4000k	0.05	0.02	0.02	0.06	0.03	0.03	0.08	0.04	0.03
	5000k	0.05	0.03	0.02	0.06	0.03	0.03	0.08	0.04	0.03

Series	CCT	Input Amps (A)								
		Low Lumens			Mid Lumens			High Lumens		
		120V	240V	277V	120V	240V	277V	120V	240V	277V
PFX-3157-UPDN-201712L-3CCT	3000k	0.10	0.05	0.04	0.14	0.07	0.06	0.17	0.08	0.07
	4000k	0.10	0.05	0.04	0.14	0.07	0.06	0.16	0.08	0.07
	5000k	0.10	0.05	0.04	0.14	0.07	0.06	0.17	0.08	0.07

Series	CCT	Input Amps (A)								
		Low Lumens			Mid Lumens			High Lumens		
		120V	240V	277V	120V	240V	277V	120V	240V	277V
PFX-3157-UPDN-302722L-3CCT	3000k	0.20	0.10	0.09	0.25	0.12	0.11	0.29	0.14	0.13
	4000k	0.20	0.10	0.08	0.25	0.12	0.11	0.29	0.14	0.12
	5000k	0.20	0.10	0.09	0.25	0.13	0.11	0.29	0.15	0.13

**Disclaimer:**  
Due to the rapid pace of technology change in the Lighting industry, the Information and Data presented in this spec sheet is for reference purposes only, please confirm with PARAFLEX at the time of finalizing the order or design. PARAFLEX does not warrant or represent that the information is free from errors or omission. The information may change without notice and PARAFLEX is not in any way liable for the accuracy of any information printed and stored or in any way interpreted or used.

# PFX-3157

Cylinder Wallpack Up/Down



## PHOTOMETRICS

### PFX-3157-UPDN-976L-3CCT

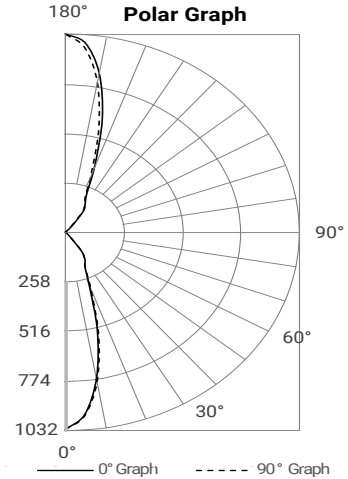
#### Luminaire Data

Description	Up Down Wall Cylinder Lumen and Kelvin Select
Total Lumens	864
Input Wattage	9
Efficacy (lm/W)	94
Max. Cd.	1034.1 (292.5H, 179V)
IES Classification	N.A.
Longitudinal Classification	N.A.

Photometrics calculated at 4000k and highest lumen setting.

#### Luminaire Classification Systems (LCS)

LCS Zone	Lumens	%Lum
FL 0-30	166	19.2%
FM 30-60	40	4.7%
FH 60-80	1	0.1%
FVH 80-90	0	0.0%
BL 0-30	177	20.4%
BM 30-60	46	5.3%
BH 60-80	1	0.1%
BVH 80-90	0	0.0%
UL 90-100	0	0.1%
UH 100-180	432	50.1%
<b>Total</b>	<b>864</b>	<b>100.0%</b>
BUG Rating	B1-U3-G0	



### PFX-3157-UPDN-201712L-3CCT

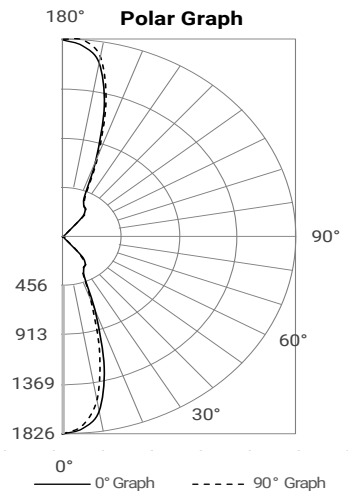
#### Luminaire Data

Description	Up Down Wall Cylinder Lumen and Kelvin Select
Total Lumens	1,959
Input Wattage	20
Efficacy (lm/W)	99
Max. Cd.	1843.6 (67.5H, 177V)
IES Classification	N.A.
Longitudinal Classification	N.A.

Photometrics calculated at 4000k and highest lumen setting.

#### Luminaire Classification Systems (LCS)

LCS Zone	Lumens	%Lum
FL 0-30	353	18.0%
FM 30-60	133	6.8%
FH 60-80	13	0.6%
FVH 80-90	6	0.3%
BL 0-30	332	17.0%
BM 30-60	125	6.4%
BH 60-80	12	0.6%
BVH 80-90	6	0.3%
UL 90-100	12	0.6%
UH 100-180	967	49.4%
<b>Total</b>	<b>1,959</b>	<b>100.0%</b>
BUG Rating	B1-U4-G0	



### PFX-3157-UPDN-302722L-3CCT

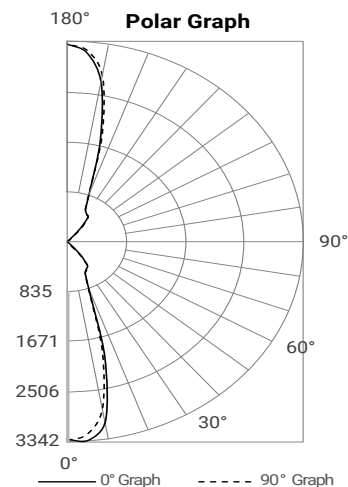
#### Luminaire

Description	Up Down Wall Cylinder Lumen and Kelvin Select
Total Lumens	2,912
Input Wattage	34
Efficacy (lm/W)	85
Max. Cd.	3358.3 (337.5H, 6V)
IES Classification	Type VS
Longitudinal Classification	Very Short

Photometrics calculated at 4000k and highest lumen setting.

#### Luminaire Classification Systems (LCS)

LCS Zone	Lumens	%Lum
FL 0-30	553	19.0%
FM 30-60	180	6.2%
FH 60-80	4	0.1%
FVH 80-90	1	0.0%
BL 0-30	536	18.4%
BM 30-60	178	6.1%
BH 60-80	5	0.2%
BVH 80-90	1	0.0%
UL 90-100	1	0.0%
UH 100-180	1,454	49.9%
<b>Total</b>	<b>2,912</b>	<b>100.0%</b>
BUG Rating	B2-U5-G0	



**Disclaimer:**

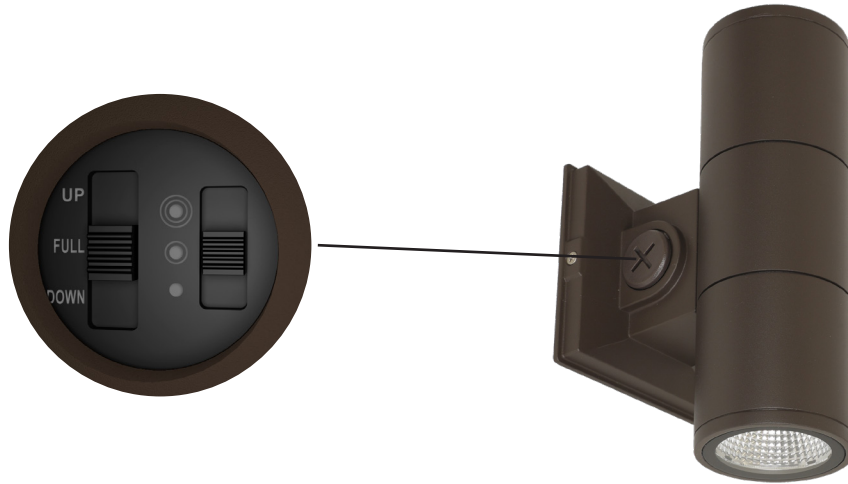
Due to the rapid pace of technology change in the Lighting industry, the Information and Data presented in this spec sheet is for reference purposes only, please confirm with PARAFLEX at the time of finalizing the order or design. PARAFLEX does not warrant or represent that the information is free from errors or omission. The information may change without notice and PARAFLEX is not in any way liable for the accuracy of any information printed and stored or in any way interpreted or used.

**PFX-3157**  
Cylinder Wallpack Up/Down



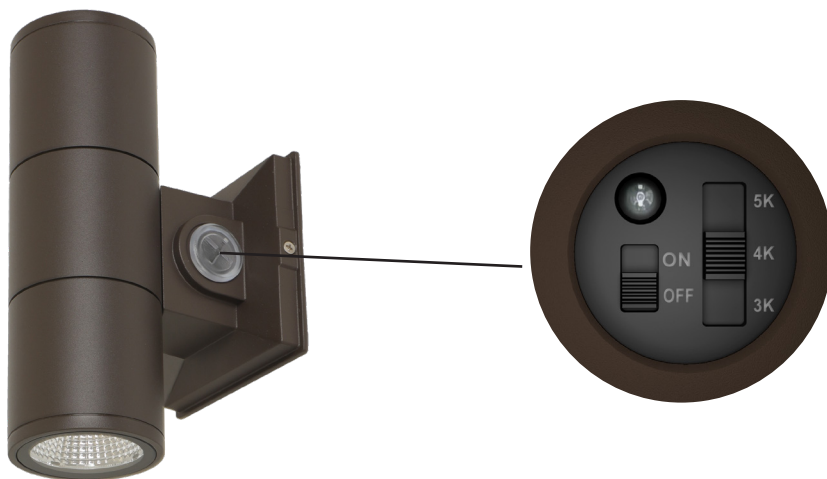
**DIP switch for Wattage & Light option**

Factory default setting :  
Wattage: High Power  
Light option: FULL



**DIP switch for CCT and Photocell**

Factory default setting :  
CCT: 4000K  
Photocell: OFF



**Disclaimer:**  
Due to the rapid pace of technology change in the Lighting industry, the Information and Data presented in this spec sheet is for reference purposes only, please confirm with PARAFLEX at the time of finalizing the order or design. PARAFLEX does not warrant or represent that the information is free from errors or omission. The information may change without notice and PARAFLEX is not in any way liable for the accuracy of any information printed and stored or in any way interpreted or used.