

# PFX-2500

AREA FLOOD LIGHT | HIGH BAY LIGHT



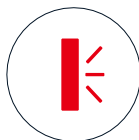
## PRODUCT FEATURES

- Heavy-duty built for demanding applications.
- IP66/IP67 rated for wet environments and all weather conditions.
- 3G/5G vibration rated.
- 15 types of optic lens at choice.
- Choice of mount accessories accommodate wall mount, surface mount, or pole mount.

## ANY APPLICATION ANYWHERE HAS YOU COVERED

The luminaire for both indoor and outdoor use such as flood lighting, area lighting, high bay lighting and security light. It delivers a high power lumen package for commercial and industrial applications. 50W to 450W, 140Lm/W efficacy, and choice of 15 optics produce precise illumination for any types of site or application.

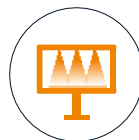
Highly efficient one-for-one replacement for conventional industrial luminaires - and with a higher efficacy than its predecessors, it promises a quicker payback than ever.



General Flood Lighting



Security Lighting



Billboard Lighting



Area Lighting



Heavy-duty bay Lighting

**Disclaimer:**

Due to the rapid pace of technology change in the Lighting industry, the Information and Data presented in this spec sheet is for reference purposes only, please confirm with PARAFLEX at the time of finalizing the order or design. PARAFLEX does not warrant or represent that the information is free from errors or omission. The information may change without notice and PARAFLEX is not in any way liable for the accuracy of any information printed and stored or in any way interpreted or used.

# PFX-2500

AREA FLOOD LIGHT | HIGH BAY LIGHT



## PERFORMANCE

	75W~450W
	137lm/W~154lm/W
	Philips Lumileds
	100-277VAC /200-480 VAC
	0.95 min
	≥70
	3000K/3500K/4000K/5000K/5700K/6500K
	L70>100,000hours
	60x100° / 90x145° / 70x130° / 80x145° / 80x150° / 80x150° / 80x125° 25° / 30° / 60° / 90° / 110° / 140°
	IP66 / IP67
	IK10
	3G / 5G Vibration
	Operating Temperature:-45°C to +50°C (-49°F to 122°F) Storing Temperature:-45°C to +80°C (-49°F to 176°F)



**Disclaimer:**  
Due to the rapid pace of technology change in the Lighting industry, the Information and Data presented in this spec sheet is for reference purposes only, please confirm with PARAFLEX at the time of finalizing the order or design. PARAFLEX does not warrant or represent that the information is free from errors or omission. The information may change without notice and PARAFLEX is not in any way liable for the accuracy of any information printed and stored or in any way interpreted or used.

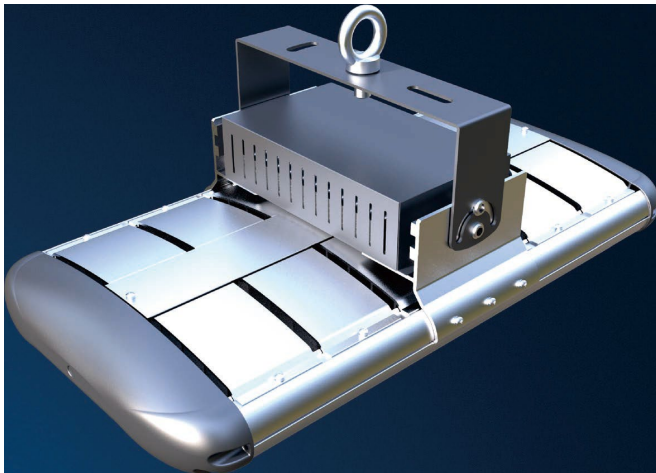
# PFX-2500

AREA FLOOD LIGHT | HIGH BAY LIGHT



## SPECIFICATIONS

Part#	Power	NO. of Modules	Efficacy(IES)	Total Lumen	N.W	Product Dimensions
PFX-2500-75W	75W	1	137LPW	10,275lm	5.4kg/11.9lbs	351x410x175mm 13.8x16.1x6.9in
PFX-2500-100W	100W	2	154LPW	15,400lm	6.5kg/14.3lbs	448x410x175mm 17.6x16.1x6.9in
PFX-2500-150W	150W	2	140LPW	21,000lm	6.5kg/14.3lbs	448x410x175mm 17.6x16.1x6.9in
PFX-2500-200W	200W	3	145LPW	29,000lm	7.5kg/16.5lbs	542x410x175mm 21.3x16.1x6.9in
PFX-2500-240W	240W	3	137LPW	32,880lm	7.5kg/16.5lbs	542x410x175mm 21.3x16.1x6.9in
PFX-2500-300W	300W	4	140LPW	42,000lm	7.9kg/17.4lbs	702x410x175mm 27.6x16.1x6.9in
PFX-2500-450W	450W	6	140LPW	63,000lm	14.8kg/32.6lbs	850x410x175mm 33.8x16.1x6.9in



**Disclaimer:**  
Due to the rapid pace of technology change in the Lighting industry, the Information and Data presented in this spec sheet is for reference purposes only, please confirm with PARAFLEX at the time of finalizing the order or design. PARAFLEX does not warrant or represent that the information is free from errors or omission. The information may change without notice and PARAFLEX is not in any way liable for the accuracy of any information printed and stored or in any way interpreted or used.

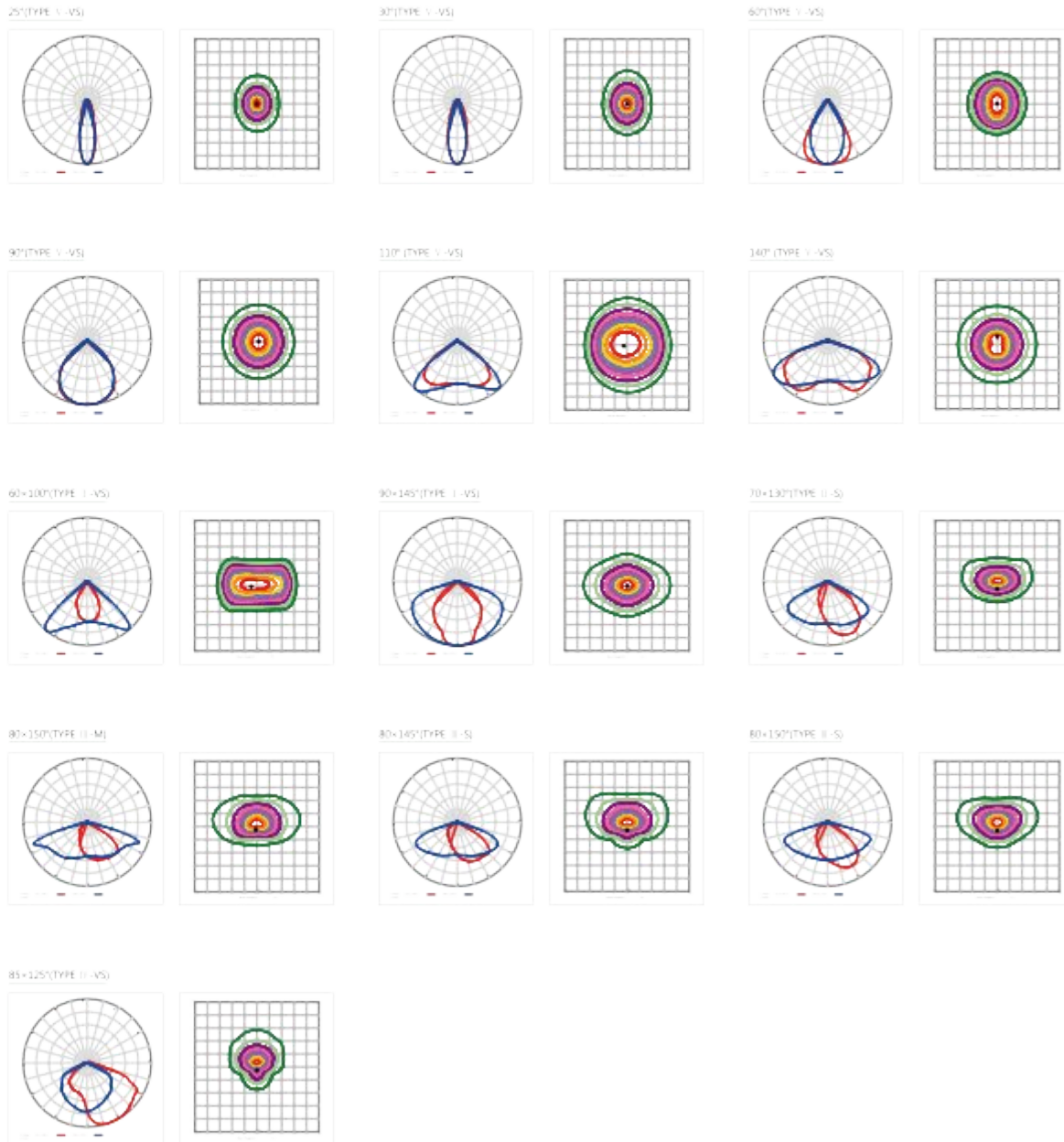
# PFX-2500

AREA FLOOD LIGHT | HIGH BAY LIGHT



## PHOTOMETRICS

Suitable for a wide range of applications, Edge flood light offers a choice of 13 optics for efficient and effective lighting. Precise light control and optimum light distribution help maximise comfort and energy savings.



**Disclaimer:**  
Due to the rapid pace of technology change in the Lighting industry, the Information and Data presented in this spec sheet is for reference purposes only, please confirm with PARAFLEX at the time of finalizing the order or design. PARAFLEX does not warrant or represent that the information is free from errors or omission. The information may change without notice and PARAFLEX is not in any way liable for the accuracy of any information printed and stored or in any way interpreted or used.

# PFX-2500

AREA FLOOD LIGHT | HIGH BAY LIGHT



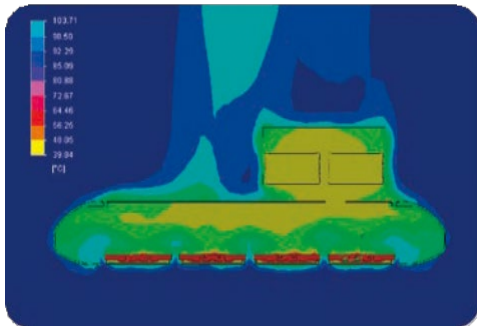
## WINDRESISTANCE MINIMIZATION

It is essential to consider the wind resistance of the flood lights and their suitability for existing or proposed installation in the outdoors. Please note that flood lights mounted horizontally on the ground, such as asymmetrical distribution help to reduce wind resistance and allow better control of spill light.



## THERMAL OPTIMIZATION

The proprietary thermal efficiency design with passive cooling maximizes heat dissipation to ensure safe operation and good lifetime performance of the luminaire in high temperature environments.



**Disclaimer:**  
Due to the rapid pace of technology change in the Lighting industry, the Information and Data presented in this spec sheet is for reference purposes only, please confirm with PARAFLEX at the time of finalizing the order or design. PARAFLEX does not warrant or represent that the information is free from errors or omission. The information may change without notice and PARAFLEX is not in any way liable for the accuracy of any information printed and stored or in any way interpreted or used.

# PFX-2500

AREA FLOOD LIGHT | HIGH BAY LIGHT



## INSTALLATION

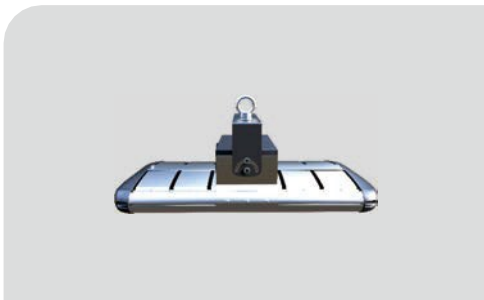
For high performance and long term reliability, the light should be installed in free air.

### Hanging Ring Mount

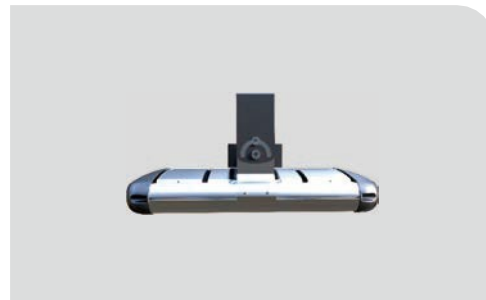
1. Tighten the NUT attached to the hanging ring to ensure the hanging ring is securely connected to the light fixture.
2. Hang the ring to the field supplied by the mounting hook or chain.
3. Wiring. (Connect supply wires to luminaire wire leads per the wiring diagram using methods that comply with all applicable codes.)

### Universal Bracket

1. Rotate the bracket to the desired angle and tighten screw to lock it.
2. Bolt the universal mounting bracket to the field mounting point. Bolt the center point before the two side points. Tighten the bolts to wrench tight.
3. Wiring. (Connect supply wires to luminaire wire leads per the wiring diagram using methods that comply with all applicable codes.)



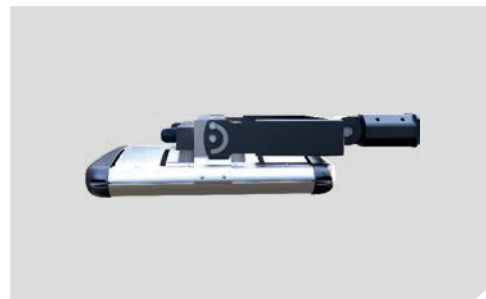
Hanging Ring



180° U Bracket



360° Heavy Duty U Bracket



180° Heavy Duty U Bracket + Slip Fitter

**Disclaimer:**  
Due to the rapid pace of technology change in the Lighting industry, the Information and Data presented in this spec sheet is for reference purposes only, please confirm with PARAFLEX at the time of finalizing the order or design. PARAFLEX does not warrant or represent that the information is free from errors or omission. The information may change without notice and PARAFLEX is not in any way liable for the accuracy of any information printed and stored or in any way interpreted or used.

# PFX-2500

AREA FLOOD LIGHT | HIGH BAY LIGHT



## ORDERING GUIDE

Sample Part # PFX-2500-75W-25K-V1-I-VS-BZ-MS-LU

Model	Wattage	Color Temp. (CCT)	Input Voltage	Optics	Housing Color	Options & Accessories
PFX-2500	75W	<b>30K</b> 3000K	<b>V1</b> 100-277VAC	60x100°(Type I -VS) 90x145°(Type I -VS) 70x130°(Type II -S) 80x145°(Type III-S) 80x150°(Type III-M) 80x150°(Type III-S) 80x125°(Type IV-VS) 25°(Type V -VS) 30°(Type V -VS) 60°(Type V -VS) 90°(Type V -VS) 110°(Type V -VS) 140°(Type V -VS)	<b>GY</b> Grey RAL7045	<b>MS</b> Motion Sensor (On/Off)
	100W	<b>35K</b> 3500K	<b>V2</b> 200-480VAC		<b>BK</b> Black RAL9017	<b>MS-D</b> Motion sensor With Dimming
	150W	<b>40K</b> 4000K			<b>BZ</b> Bronze RAL8019	<b>PC</b> Photocell
	200W	<b>50K</b> 5000K				<b>EM</b> Emergency Battery Back up
	240W	<b>57K</b> 5700K				<b>IOT</b> Smart Control
	300W	<b>65K</b> 6500K				
	450W					

**Disclaimer:**

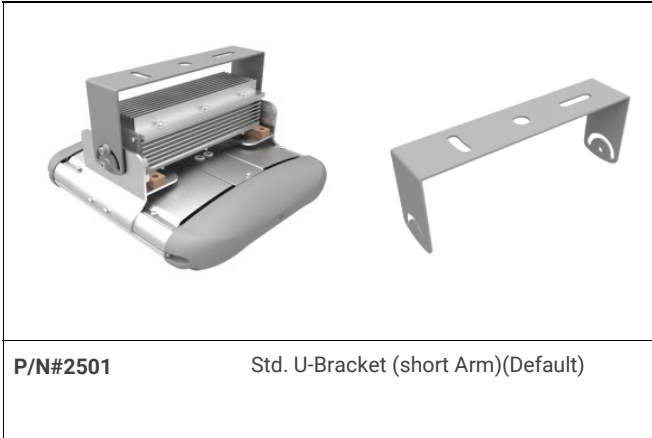
Due to the rapid pace of technology change in the Lighting industry, the Information and Data presented in this spec sheet is for reference purposes only, please confirm with PARAFLEX at the time of finalizing the order or design. PARAFLEX does not warrant or represent that the information is free from errors or omission. The information may change without notice and PARAFLEX is not in any way liable for the accuracy of any information printed and stored or in any way interpreted or used.

# PFX-2500

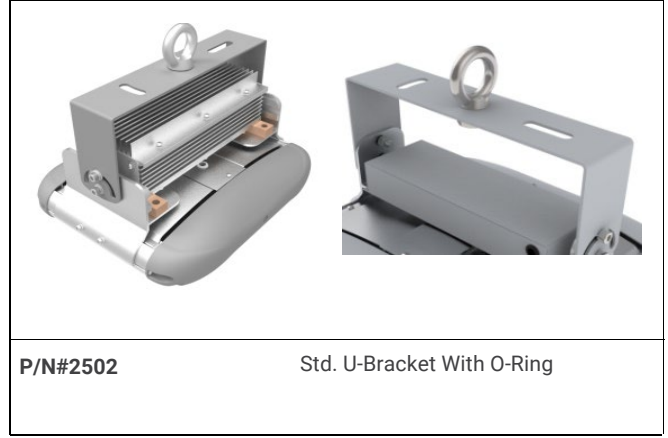
AREA FLOOD LIGHT | HIGH BAY LIGHT



## Mounting Options (Order Separately)



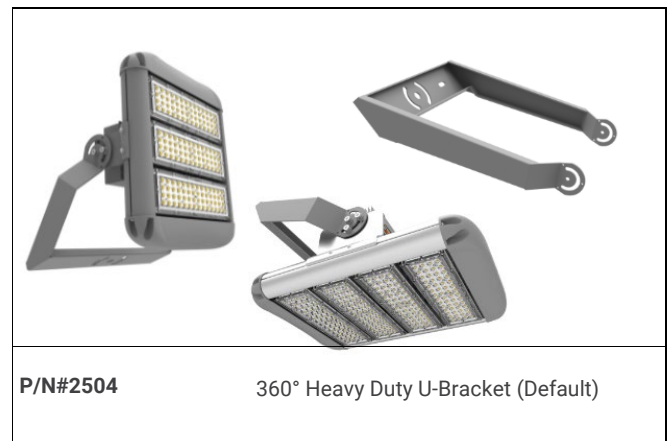
**P/N#2501** Std. U-Bracket (short Arm)(Default)



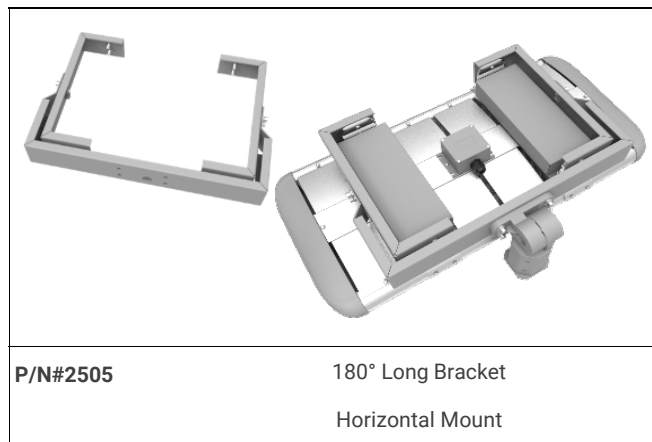
**P/N#2502** Std. U-Bracket With O-Ring



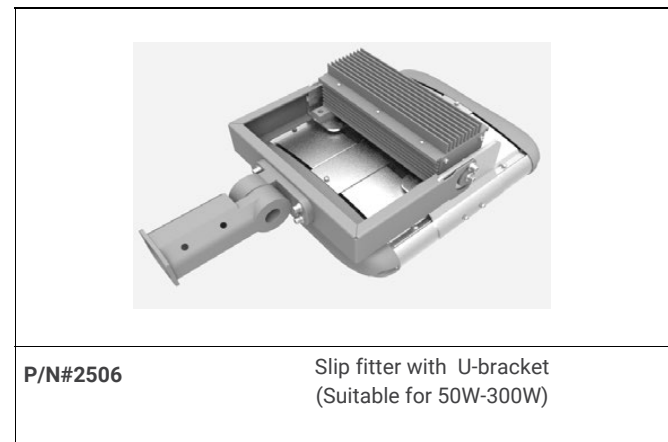
**P/N#2503** 180° Heavy Duty U-Bracket (Long Axial Vertical Mount)



**P/N#2504** 360° Heavy Duty U-Bracket (Default)



**P/N#2505** 180° Long Bracket  
Horizontal Mount

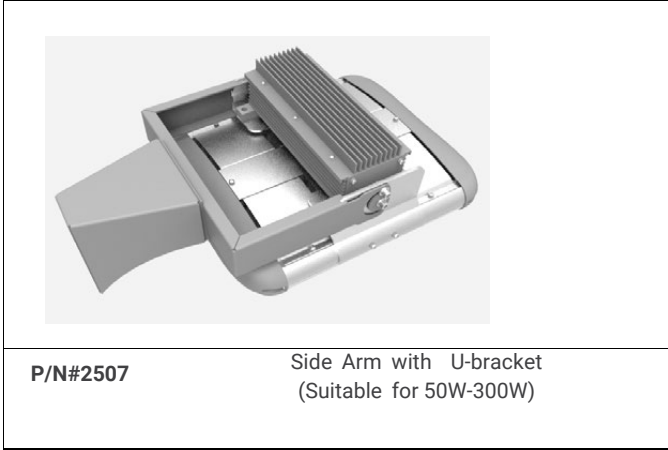


**P/N#2506** Slip fitter with U-bracket (Suitable for 50W-300W)

**Disclaimer:**  
Due to the rapid pace of technology change in the Lighting industry, the Information and Data presented in this spec sheet is for reference purposes only, please confirm with PARAFLEX at the time of finalizing the order or design. PARAFLEX does not warrant or represent that the information is free from errors or omission. The information may change without notice and PARAFLEX is not in any way liable for the accuracy of any information printed and stored or in any way interpreted or used.

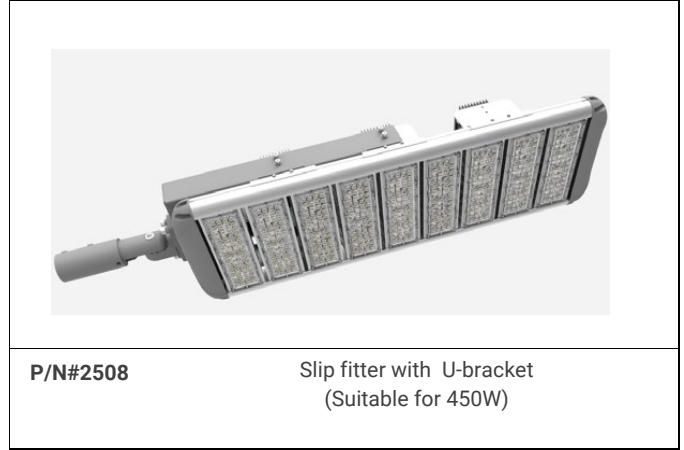
# PFX-2500

AREA FLOOD LIGHT | HIGH BAY LIGHT



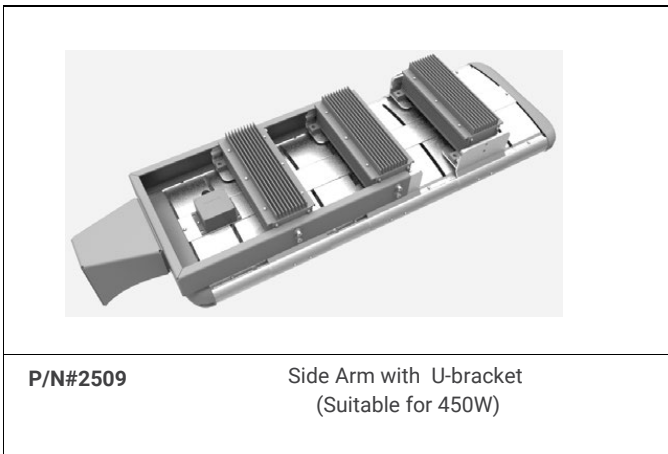
**P/N#2507**

Side Arm with U-bracket  
(Suitable for 50W-300W)



**P/N#2508**

Slip fitter with U-bracket  
(Suitable for 450W)



**P/N#2509**

Side Arm with U-bracket  
(Suitable for 450W)

**NOTES :** P/N# 2505 Not suitable for 70x135° Optics; Need led module >6pcs; For Parking lot, area lighting application only.

**Disclaimer:**  
Due to the rapid pace of technology change in the Lighting industry, the Information and Data presented in this spec sheet is for reference purposes only, please confirm with PARAFLEX at the time of finalizing the order or design. PARAFLEX does not warrant or represent that the information is free from errors or omission. The information may change without notice and PARAFLEX is not in any way liable for the accuracy of any information printed and stored or in any way interpreted or used.