

# PFX-3517

LED FLOOD LIGHT



## Product Description

Diffuse PC lens to provide efficient distribution of light.

Die-cast aluminum heatsink provides the most ideal heat dissipation, making the fixture cool to the touch

Easy access to photocell switch.

Easy access to the control switch for a range of CCTs and wattages to choose from



This compact but powerful flood light is a true innovation practically and aesthetically. The upgraded tuning switch allows for easy access to a range of CCTs and wattages based on different environments. Utilizing performance optics and long lasting driver, these landscape flood lights will last for years to come.

## Applications

- Street & Tunnel
- Park
- Gas Station
- Parking
- Industrial Site

## Features

### LISTING

- UL and CUL listed for wet locations

### HOUSING

- Solid construction die-cast aluminum body

### FINISH

- UV stabilized powder coated finish

### OPTIONS

- Optional photocell
- Finish- Bronze. Color options with adder
- Build in color adjustable control ranging from 3000K to 5000K

### AVAILABLE BEAM ANGLE

- 25°
- 45°

**Disclaimer:**

Due to the rapid pace of technology change in the Lighting industry, the Information and Data presented in this spec sheet is for reference purposes only, please confirm with PARAFLEX at the time of finalizing the order or design. PARAFLEX does not warrant or represent that the information is free from errors or omission. The information may change without notice and PARAFLEX is not in any way liable for the accuracy of any information printed and stored or in any way interpreted or used.

# PFX-3517

LED FLOOD LIGHT



## Performance Data

Model NO.	Nominal Watts**	Lumens**	Efficacy**
PFX-3517	24/16/9W	3200 lm*	133 lm/W*
		2200 lm*	138 lm/W*
		1200 lm*	133 lm/W*
* Lumen and Efficacy shows the highest wattage at 4000K			

## Specification

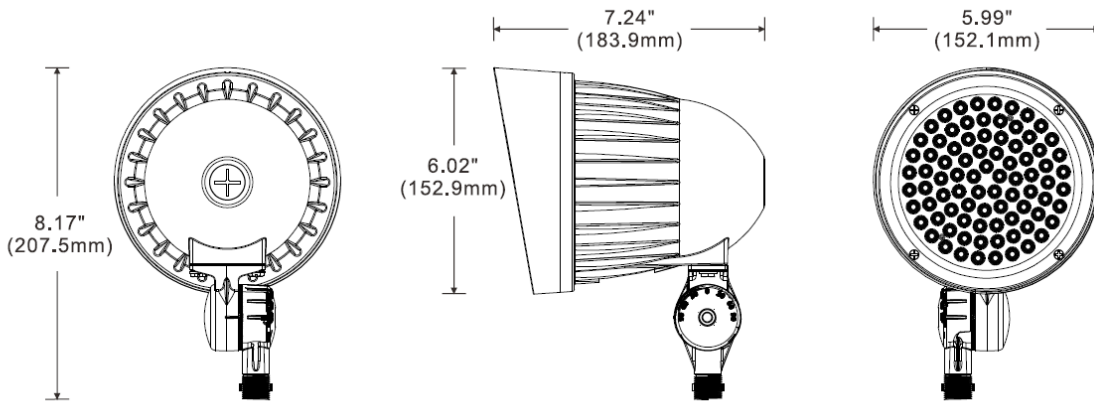
### Example PFX-3517

Model No.	Nominal Watts**	Input Voltage	CRI	Color* Temp	Option	Finish	Starting Temp
PFX-3517	024=24W	UNV= 120-277V	8=80+	TX= 5000K	PC = Photocontrol FAO= Wattage and CCT Smart Controller	BZ=Bronze	-40 °C - +40 °C
	016=16W			4000K			
	009=9W			3000K			

\* Different LED Kelvin temperature available with 4-6 week lead time. Please call for a quote.

\*\* DISCLAIMER: This test report was produced in accordance with IES LM-79 photometric testing protocol for luminaires, using a single representative test fixture. Actual production units may vary from the values reported here by up to ±10%.

## Dimension



### Disclaimer:

Due to the rapid pace of technology change in the Lighting industry, the Information and Data presented in this spec sheet is for reference purposes only, please confirm with PARAFLEX at the time of finalizing the order or design. PARAFLEX does not warrant or represent that the information is free from errors or omission. The information may change without notice and PARAFLEX is not in any way liable for the accuracy of any information printed and stored or in any way interpreted or used.