

# PFX-3304

## POST TOP LIGHT



### DESCRIPTION

The post top provides a unique, scalable lighting solution targeted for 8' to 20' mounting heights. Its design brings proportion to parking lots, drive lanes, entrances, building perimeters and pathways. The excellent optical design that deliver the smooth light with a very good uniformity. The structure is clean and more popular, promotes harmony between the outdoor lighting and architecture.

### SPECIFICATION

#### Construction

- Rugged die-cast aluminum housing secures the thermally conductive LED panel and electrical chamber
- Show off urban style by the simple shape and the solid material.
- Housing is completely sealed against moisture and environmental contaminants.

#### Optics

- Single CCT 4000K and 5000K are available for standard version, and the 130W offer the color tunable version, the CCT can be changed to 3000K/ 4000K/5000K.
- Scalable Lumen Packages from 5,400 to 17,200 Lumens.
- High performance UV stabilized optical grade polymer optic lenses to achieve desired distribution optimized to get target lumens and a superior lighting uniformity.
- The optics can conform to dark sky requirement.

#### Electrical

- Universal 120-277 VAC or 347-480 VAC input voltage.
- Standard with 0-10V dimming allowing for 10% to 100% dimming.
- The 130W optional for 4 positions wattage regulation: 130W, 87W, 70W, 45W.
- THD: ≤20%
- Power Factor: ≥90%

#### Controls

- Optional occupancy sensor
- Optional Photocell

#### Ambient Temperature

- Ambient operating temperature -40°C to 45°C (-40°F to 113°F).

#### Lifespan

- Estimated 100,000-hour LED lifespan based on IES LM-80 results and TM-21 calculations

#### Warranty

- Five-year warranty.

#### Certifications

- UL wet location listed
- Design Lights Consortium™ Qualified.

Note : Please refer to the DLC website for specific product qualifications at [www.designlights.org](http://www.designlights.org).

**Disclaimer:**  
Due to the rapid pace of technology change in the Lighting industry, the Information and Data presented in this spec sheet is for reference purpose the order or design. PARAFLEX does not warrant or represent that the information is free from errors or omission. The information may change without notice and PARAFLEX is not in any way liable for the accuracy of any information printed and stored or in any way interpreted or used.



#### Finish

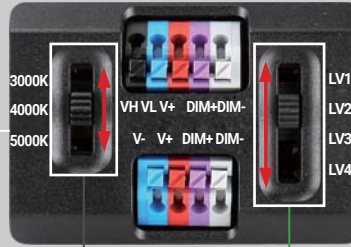
- It's available in dark bronze, or optional black or white.



#### Note

- Actual performance may differ as a result of end-user environment and application. All values are design or typical values, measured under laboratory conditions at 25°C(±5°C ) specifications subject to change without notice.

**PFX-3304**  
POST TOP LIGHT



**CCT AND WATTAGE SELECTABLE**  
This fixture has the function of adjusting the lumens output and color temperature on-site.

**CCT SELECT**

3000K 4000K 5000K

Offer three CCT adjustable (3000K, 4000K, 5000K).

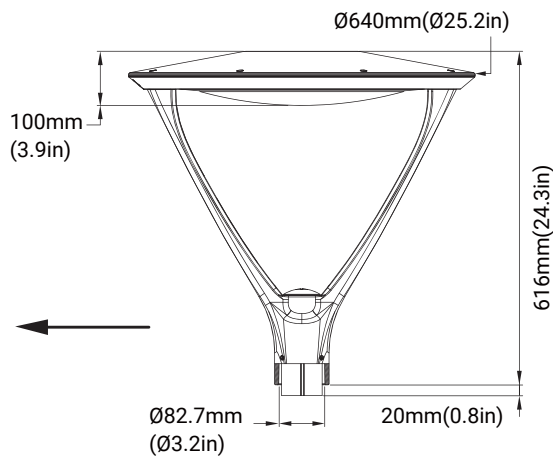
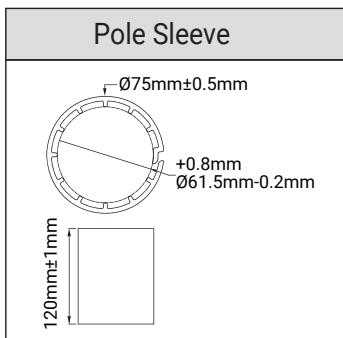
**WATTAGE SELECT**

45W 70W 87W 130W

Each model supports 4 positions wattage regulation: 130W, 87W, 70W, 45W

**DIMENSION**

unit: inch/mm  
Net weight:  
130W: 25.699lbs



**EPA OF POST TOP**

Item	
EPA	0.9696

**Disclaimer:**  
Due to the rapid pace of technology change in the Lighting industry, the Information and Data presented in this spec sheet is for reference purpose the order or design. PARAFLEX does not warrant or represent that the information is free from errors or omission. The information may change without notice and PARAFLEX is not in any way liable for the accuracy of any information printed and stored or in any way interpreted or used.

**PFX-3304**  
POST TOP LIGHT



**PERFORMANCE DATA (@ Single CCT)**

SYSTEM WATTS	VOLTAGE	CRI	LUMENS 3000 K	LPW 3000 K	LUMENS 4000 K	LPW 4000 K	LUMENS 5000 K	LPW 5000 K
45W	120 -277 VAC	70	5400 lm	120 lm/W	5450 lm	121 lm/W	5500 lm	122 lm/W
70W	120 -277 VAC	70	8400 lm	120 lm/W	8450 lm	121 lm/W	8500 lm	121 lm/W
87W	120 -277 VAC	70	10500 lm	121 lm/W	10600 lm	122 lm/W	10600 lm	122 lm/W
130 W	120 -277 VAC	70	16000 lm	123 lm/W	16300 lm	125 lm/W	16300 lm	125 lm/W

**ADJUSTABLE LUMEN OUTPUT TABLE**

SWITCH SETTING	SETTING WATTS	VOLTAGE	CRI	LUMENS 3000 K	LPW 3000 K	LUMENS 4000K	LPW 4000 K	LUMENS 5000 K	LPW 5000 K
LV1	130W	120-277VAC	70	16000 lm	123 lm/W	17200 lm	132 lm/W	16300 lm	125 lm/W
LV2	87W	120-277VAC	70	11600 lm	133 lm/W	12000 lm	138 lm/W	11800 lm	136 lm/W
LV3	70W	120-277VAC	70	9700 lm	139 lm/W	10000 lm	143 lm/W	9900 lm	141 lm/W
LV4	45W	120-277VAC	70	6500 lm	144 lm/W	6700 lm	149 lm/W	6600 lm	147 lm/W

**ELECTRICAL DATA**

NUMBER OF DRIVERS	DRIVER CURRENT ( mA)	NOMINAL POW ER ( W)	INPUT VOLTAGE ( V )	CURRENT(Amps)
1	1120	45	120	0.38
		45	208	0.22
		45	240	0.19
		45	277	0.16
1	1750	70	120	0.58
		70	208	0.34
		70	240	0.29
		70	277	0.25
2	2240	87	120	0.73
		87	208	0.42
		87	240	0.36
		87	277	0.31
2	3500	130	120	1.08
		130	208	0.63
		130	240	0.54
		130	277	0.47

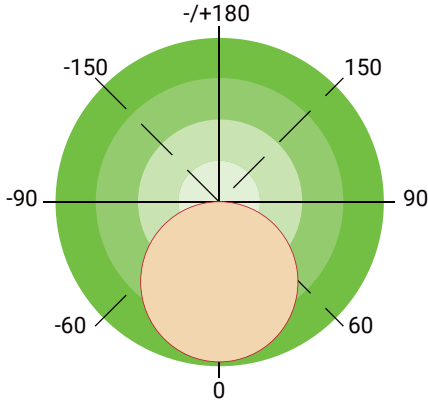
**Disclaimer:**  
Due to the rapid pace of technology change in the Lighting industry, the Information and Data presented in this spec sheet is for reference purpose the order or design. PARAFLEX does not warrant or represent that the information is free from errors or omission. The information may change without notice and PARAFLEX is not in any way liable for the accuracy of any information printed and stored or in any way interpreted or used.

**PFX-3304**  
POST TOP LIGHT



**PHOTOMETRICS**

General



**ACCESSORIES (Optional)**

 <p><b>PIR Motion Sensor, 120-277V</b> USE: Sensor can be pre-installed in factory or field installed.</p>	 <p><b>Photocell - 120V-277V 347V/480V</b> USE: Photocell is field installed.</p>
---	---

**ORDERING GUIDE**

Example: PFX-3304-70W27VYYYYYY

Fixture Type	Wattage Selectable	Voltage	CCT	Finish	Photocell (Option)	Sensor (Option)	Photometry	Internal Code
<b>PFX - 3304</b> Post Top Light	<b>130W</b> (130W/87W/ 70W/45W)	<b>27V</b> 120-277V	<b>DDK</b> Adjustable color temperature	<b>D</b> Dark Bronze <b>Optional</b> <b>B</b> Black <b>W</b> White	<b>P0</b> 120-277V Photocell <b>Blank</b> Without Photocell	<b>M</b> With Motion Sensor <b>Blank</b> Without Sensor	<b>Blank</b> General Photometry	<b>Blank</b> Alphanumeric

Note: Only 130W optional for DDK.

**Disclaimer:**  
Due to the rapid pace of technology change in the Lighting industry, the Information and Data presented in this spec sheet is for reference purpose the order or design. PARAFLEX does not warrant or represent that the information is free from errors or omission. The information may change without notice and PARAFLEX is not in any way liable for the accuracy of any information printed and stored or in any way interpreted or used.