

PFX-3405

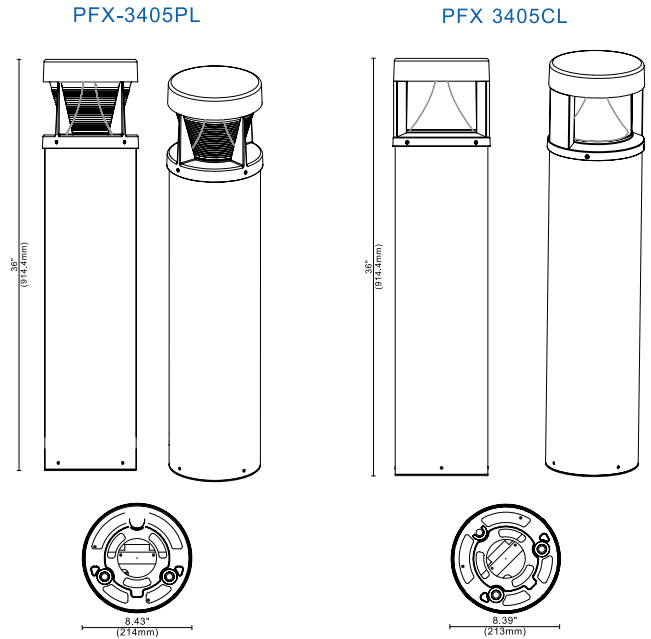
BOLLARDS



DESCRIPTION

This attractive, newly redesigned heavy-duty bollard features full proof aluminum construction housing, providing corrosion and vandal resistance ideal for lighting pedestrian walkways, as well as accenting the exterior grounds of office and apartment buildings, hotel and parks. A solid foundation withstands the elements, driver options work in even the worst weather conditions.

DIMENSION (INCHES)



FEATURES

- UL and CUL listed for wet locations
- Consisting of an extruded aluminium alloy body
- Standard 4kV Surge
- UV stabilized powder coated finish
- High-impact polycarbonate diffuser
- Anodized aluminum reflector
- Finish - Bronze

ORDERING GUIDE

Sample Part PFX-3405

Model No.	SystemWatts	Input Voltage	CRI	Color Temp	Option	Feature	Finish	Starting Temp
PFX-3405	018=18W	UNV=120-277V	7=70+	40=4000 K	XS= 10kV Surge	C =Cylinder	Bronze	-40°C ~ +50°C
	036=36W			50=5000 K	2S= 20kV Surge	S =Sphere		

Disclaimer:

Due to the rapid pace of technology change in the Lighting industry, the Information and Data presented in this spec sheet is for reference purpose the order or design. PARAFLEX does not warrant or represent that the information is free from errors or omission. The information may change without notice and PARAFLEX is not in any way liable for the accuracy of any information printed and stored or in any way interpreted or used.

PFX-3405

BOLLARDS



PERFORMANCE DATA

Model NO.	System Watts	Dist. Type	Lumens	Lpw	B	U	G
PFX-3405	18 W	Type V	2035 lm**	111 lm/W	1	3	2
	36 W	Type V	3960 lm**	110 lm/W	1	3	2

PRODUCT DESCRIPTION



PFX-3405CL



PFX-3405PL



Disclaimer:

Due to the rapid pace of technology change in the Lighting industry, the Information and Data presented in this spec sheet is for reference purpose the order or design. PARAFLEX does not warrant or represent that the information is free from errors or omission. The information may change without notice and PARAFLEX is not in any way liable for the accuracy of any information printed and stored or in any way interpreted or used.