

PFX-3129

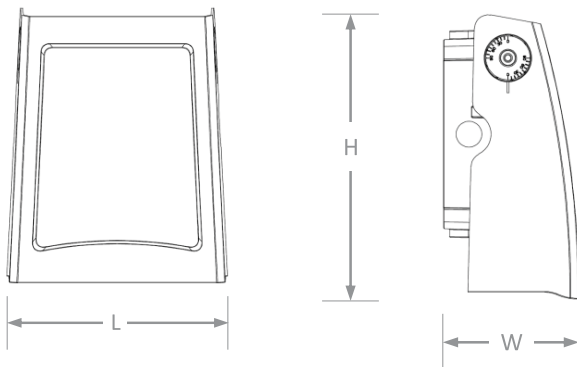
ADJUSTABLE WALL PACK LUMEN



FEATURES

- Field selectable 3000k (warm white), 4000k (neutral white), and 5000k (cool white) color temperatures.*
- Adjustable housing – up to 90°
- Long-life LEDs provide at least 70% of initial lumen output (L70) for > 146,000 hours of operation, and at least 90% of initial lumen output (L90) for > 44,000 hours of operation.*
- LED chromaticity based on < 5-step ANSI quadrangles.
- LED color maintenance < 0.003 chromaticity shift ($\Delta u'v'$) over the initial 6,000 hours of operation.
- Provides a range of 3,000 to 10,700 nominal lumens and 132 to 154 nominal lumens per watt (lm/W).
- 0-10vdc dimming drivers are standard.
- Universal 120-277 AC voltage (50-60Hz) is standard.
- Power factor > 0.90.
- Total harmonic distortion < 20%.
- Color rendering index (Ra) > 80.
- Cast aluminum housing with dark bronze, powder coat finish.
- Polycarbonate lens.
- Three 1/2" NPT threaded openings.
- Easy installation in new construction or retrofit applications

DIMENSION (INCHES)



	5L	10L
Length:L	6.5"	8.5"
Width:W	4"	5"
Height:H	8"	11"

ORDERING GUIDE

Sample Part PFX-3129-5L-LKFS

Series	Nominal Lumen Output		Select
PFX-3129	5L	5,000 lumens	LKFS
	10L	10,000 lumens	

Disclaimer:

Due to the rapid pace of technology change in the Lighting industry, the Information and Data presented in this spec sheet is for reference purpose the order or design. PARAFLEX does not warrant or represent that the information is free from errors or omission. The information may change without notice and PARAFLEX is not in any way liable for the accuracy of any information printed and stored or in any way interpreted or used.

PFX-3129

ADJUSTABLE WALL PACK LUMEN



ELECTRICAL DATA

Series	Measurements	Low Lumens			Mid Lumens			High Lumens		
		3000K	4000K	5000K	3000K	4000K	5000K	3000K	4000K	5000K
3129-5L-LKFS	Lumens	3044	3002	3307	3819	3842	4155	4646	5084	5049
	Watts	22	20	22	28	25	28	35	34	35
	Efficacy	1421	54	1541	37	1511	49	1331	51	145
	Input Current (A)	120V = 0.18A	120V = 0.17A	120V = 0.18A	120V = 0.23A	120V = 0.21A	120V = 0.23A	120V = 0.29A	120V = 0.28A	120V = 0.29A
240V = 0.09A		240V = 0.08A	240V = 0.09A	240V = 0.12A	240V = 0.10A	240V = 0.12A	240V = 0.15A	240V = 0.14A	240V = 0.15A	
277V = 0.08A		277V = 0.07A	277V = 0.08A	277V = 0.10A	277V = 0.09A	277V = 0.10A	277V = 0.13A	277V = 0.12A	277V = 0.13A	

Series	Measurements	Low Lumens			Mid Lumens			High Lumens		
		3000K	4000K	5000K	3000K	4000K	5000K	3000K	4000K	5000K
3129-10L-LKFS	Lumens	6536	7028	7107	8339	9032	9056	97461	0,7341	0,578
	Watts4	64	54	66	15	96	17	47	17	4
	Efficacy	1421	57	1541	37	1531	48	1321	50	142
	Input Current (A)	120V = 0.38A	120V = 0.38A	120V = 0.38A	120V = 0.51A	120V = 0.49A	120V = 0.51A	120V = 0.62A	120V = 0.59A	120V = 0.62A
240V = 0.19A		240V = 0.19A	240V = 0.19A	240V = 0.25A	240V = 0.25A	240V = 0.25A	240V = 0.31A	240V = 0.30A	240V = 0.31A	
277V = 0.17A		277V = 0.16A	277V = 0.17A	277V = 0.22A	277V = 0.21A	277V = 0.22A	277V = 0.27A	277V = 0.26A	277V = 0.27A	

Disclaimer:

Due to the rapid pace of technology change in the Lighting industry, the Information and Data presented in this spec sheet is for reference purpose the order or design. PARAFLEX does not warrant or represent that the information is free from errors or omission. The information may change without notice and PARAFLEX is not in any way liable for the accuracy of any information printed and stored or in any way interpreted or used.

PFX-3129

ADJUSTABLE WALL PACK LUMEN



ELECTRICAL DATA

PFX-3129-5L-LKFS

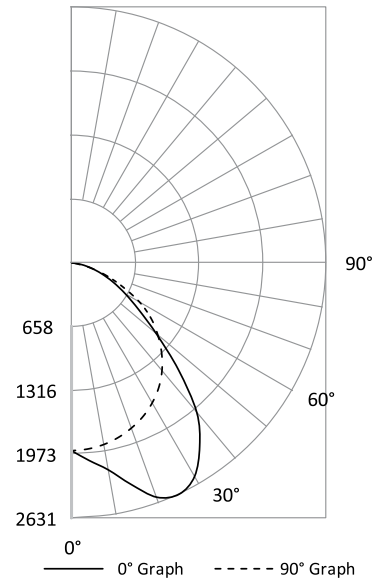
Luminaire Data

Description	Adjustable Wall Pack 5L 5K -LKFS
Total Lumens	5,049
Input Wattage	35
Efficacy (lm/W)	144
Max. Cd.	2634.18 (360H, 24V)
IES Classification	Type II
Longitudinal Classification	Very Short

Luminaire Classification Systems (LCS)

LCS Zone	Lumens	%Lum
FL 0-30	922	18.3%
FM 30-60	1,810	35.8%
FH 60-80	488	9.7%
FVH 80-90	25	0.5%
BL 0-30	674	13.4%
BM 30-60	979	19.4%
BH 60-80	144	2.9%
BVH 80-90	6	0.1%
UL 90-100	0	0.0%
UH 100-180	0	0.0%
Total	5,049	99.8%
BUG Rating	B2-U0-G1	

180° Polar Graph



Zonal Lumen Summary

Zone	Lumens	%Fixt
0-30°	1,597	31.6%
0-60°	4,386	86.9%
0-80°	5,018	99.4%
80-90°	31	0.6%*
0-90°	5,049	100.0%
90-110°	0	0.0%
110-180°	0	0.0%
0-180°	5,049	100.0%

* 80-90° glare zone is calculated by dividing the lumens in that zone by the lumen total in the 0-90° zone

PFX-3129-10L-LKFS

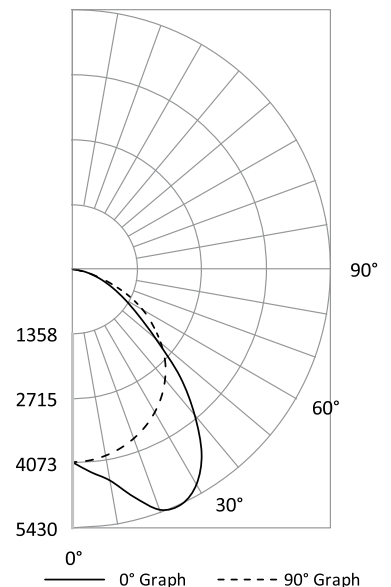
Luminaire Data

Description	Adjustable Wall Pack 10L 5K - LKFS
Total Lumens	10,578
Input Wattage	74
Efficacy (lm/W)	143
Max. Cd.	5440.72 (360H, 23V)
IES Classification	Type II
Longitudinal Classification	Very Short

Luminaire Classification Systems (LCS)

LCS Zone	Lumens	%Lum
FL 0-30	1,924	18.2%
FM 30-60	3,727	35.2%
FH 60-80	999	9.4%
FVH 80-90	53	0.5%
BL 0-30	1,432	13.5%
BM 30-60	2,104	19.9%
BH 60-80	324	3.1%
BVH 80-90	14	0.1%
UL 90-100	0	0.0%
UH 100-180	0	0.0%
Total	10,578	100.0%
BUG Rating	B3-U0-G1	

180° Polar Graph



Zonal Lumen Summary

Zone	Lumens	%Fixt
0-30°	3,356	31.7%
0-60°	9,188	86.9%
0-80°	10,510	99.4%
80-90°	68	0.6%*
0-90°	10,578	100.0%
90-110°	0	0.0%
110-180°	0	0.0%
0-180°	10,578	100.0%

* 80-90° glare zone is calculated by dividing the lumens in that zone by the lumen total in the 0-90° zone

Disclaimer:

Due to the rapid pace of technology change in the Lighting industry, the Information and Data presented in this spec sheet is for reference purpose the order or design. PARAFLEX does not warrant or represent that the information is free from errors or omission. The information may change without notice and PARAFLEX is not in any way liable for the accuracy of any information printed and stored or in any way interpreted or used.