

# PFX - 3402

8" - LED BOLLARD LIGHT

PROJECT

DATE

TYPE

NOTES



REV: 05 2024



BL800      BL801      BL810      BL811      BL820

**DIE-CASTED ALUMINUM HOUSING**

Made corrosion and shock resistant. Top cover design is self-oriented for easy installation and maintenance. Can replace up to 120W pulse-start Metal Halide lamp.

**FEATURES**

50/60Hz driver. Lens angles: 120°/150°. Anchor bolts with hardware and template supplied as standard.

**120-277V STANDARD**

**PRODUCT APPLICATIONS**

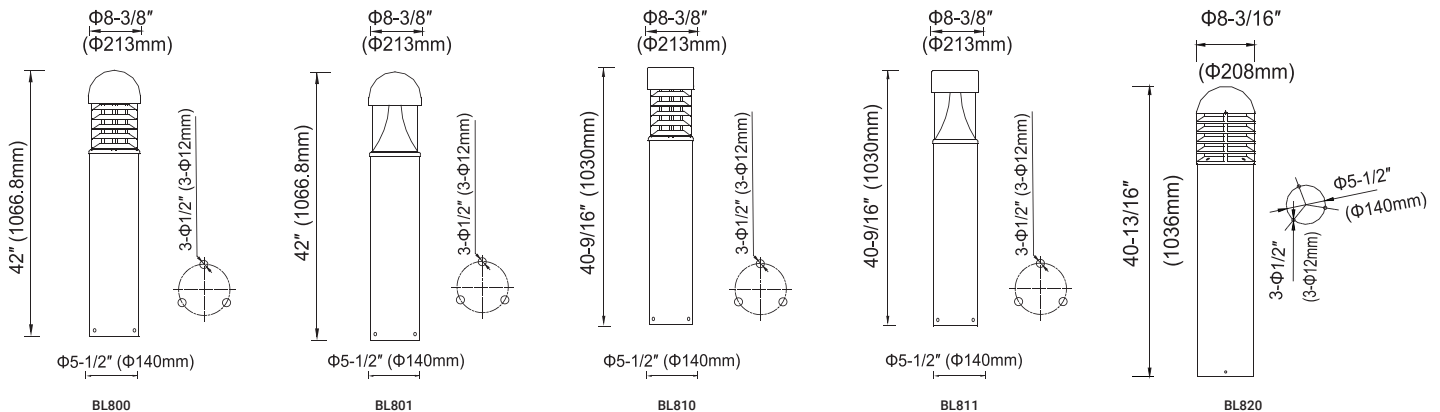
- Walkways
- Business Districts
- Playgrounds
- Parks & Recreational Fields
- Residential Areas
- Commercial Areas

When Specifying Options, Please Check with Factory for Availability and Lead-Time.

**ORDERING GUIDE** Sample Part # PFX-3402-BL800 - 25W - 30K - 120 - BZ

MODEL	TYPE	WATTAGE	COLOR TEMPERATURE (CCT)	DISTRIBUTION	HOUSING COLOR
PFX - 3402	BL800	25W 25 WATTS	30K 3000K WARM WHITE	120 120°	BZ BRONZE (RAL8019)
	BL810	35W 35 WATTS	40K 4000K NEUTRAL WHITE		BL BLACK (RAL7016)
	BL820		50K 5000K COOL WHITE		
	BL801	25W 25 WATTS	30K 3000K WARM WHITE	150 150°	BZ BRONZE (RAL8019)
	BL811	35W 35 WATTS	40K 4000K NEUTRAL WHITE		BL BLACK (RAL7016)
		50W 50 WATTS	50K 5000K COOL WHITE		

**PRODUCT SPECIFICATIONS**



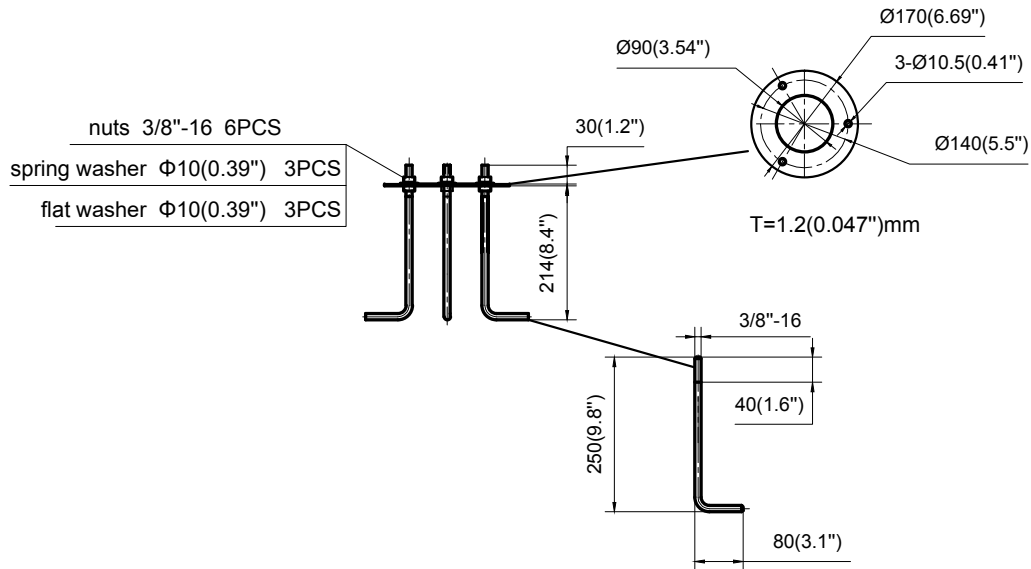
PARAFLEX does not warrant or represent that the information is free from errors or omission. The information may change without notice and PARAFLEX is not in any way liable for the accuracy of any information printed and stored or in any way interpreted or used.

# PFX - 3402

8" -LED BOLLARD LIGHT

PARAFLEX does not warrant or represent that the information is free from errors or omission. The information may change without notice and PARAFLEX is not in any way liable for the accuracy of any information printed and stored or in any way interpreted or used.

## PRODUCT SPECIFICATIONS (CONT.) ANCHOR BOLTS



ITEM	SPECIFICATION	BL800		BL801			BL810		BL811			BL820	
		Distribution		Distribution			Distribution		Distribution			Distribution	
GENERAL PERFORMANCE	Distribution	120°		150°			120°		150°			120°	
	Input Power (W)	25W	35W	25W	35W	50W	25W	35W	25W	35W	50W	25W	35W
	Lumens Delivered (lm) at 5000k	1750	2450	2500	3500	5000	1750	2450	2500	3500	5000	1000	1400
	Efficacy (lm/W)	70		100			70		100			40	
	CRI	≥70											
	Lumen Maintenance (L70, TM-21 @ 250C)	L90 ≥ 36,000 hours L70 ≥ 50,000 hours											
	Color Temperature	3000K / 4000K / 5000K											
	Color Consistency	Proprietary binning for uniform color											
ELECTRICAL	Input Voltage	120-240/277V											
	Power Factor (120V / 277V)	≥0.95											
PHYSICAL	Weight (lbs)	25.6	25.3			26.5	25.8			23.1			
	Housing	Extruded Aluminum											
	Lens	Acrylic											
	Reflector	Aluminum											
	Mounting	Ground Installation											
	Operating Temperature	-4°F to 113°F											
	Humidity	20-85% RH, non-condensing											
CERTIFICATION	Certification	cETlus, LM79, LM80											
	Warranty	5 Years											

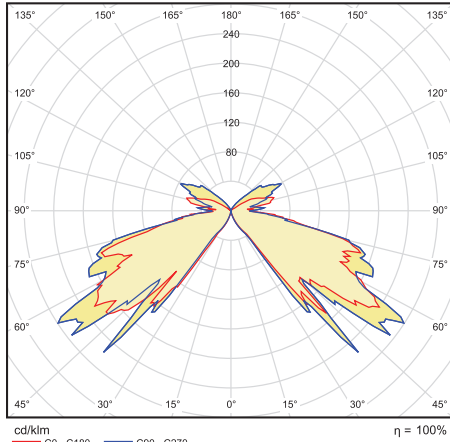
# PFX - 3402

8" - LED BOLLARD LIGHT

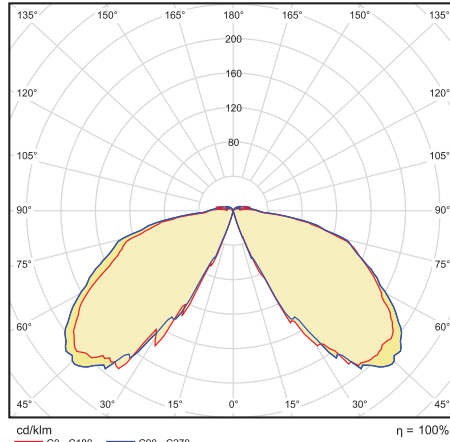
PARAFLEX does not warrant or represent that the information is free from errors or omission. The information may change without notice and PARAFLEX is not in any way liable for the accuracy of any information printed and stored or in any way interpreted or used.

## PRODUCT SPECIFICATIONS (CONT.)

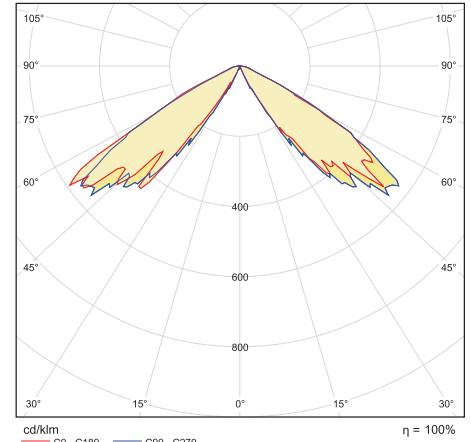
### ISO PLOTS



BL800 & BL 810, 120° DISTRIBUTION



BL801 & BL 811, 150° DISTRIBUTION



BL820, 120° DISTRIBUTION