

PFX-3414

LED BOLLARD LIGHT



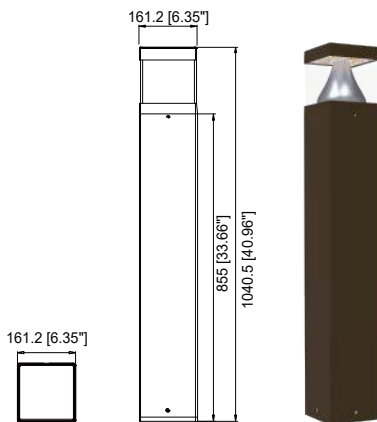
This Bollard light features outstanding photometric performance, uniform illumination, low-profile design, high efficacy, long lifespan, and easy installation. The one piece die-cast aluminum housing with UV resistant powder coat finish offers outstanding corrosion protection. The Bollard series is a professional LED lawn light designed by PARAFLEX for outdoor landscape lighting places, designed in a perfect, simple shape. Various types of light output to meet different application fields Scene demand. Suitable for all kinds of indoor and outdoor garden environment lighting. These fixtures are ideal for retail centers, industrial parks, schools and universities, public transit and airports, office buildings and medical facilities.

Product Features

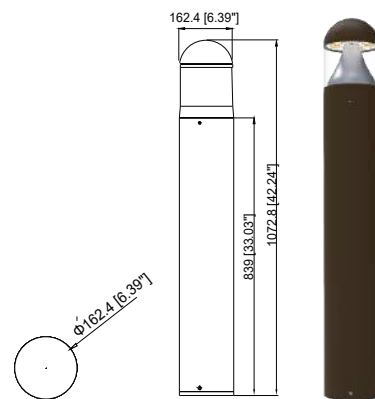
1. High efficiency LED Driver, the wide range input voltage 120-277VAC.
2. Lumileds LED high luminous efficiency and long life.
3. Cast aluminium design, Electrostatic powder spraying, better cooling and easy replacement.
4. Clear Polycarbonate Lens Specially Designed Cone Reflector or Internal Louvers lens.
4. Excellent optical design, greatly improve the light utilization and evenness.
5. 0-10V dimming.

Product Dimension

PFX-3414-BD01-24W-X-TCP-Y-ZZ



PFX-3414-BD02-24W-X-TCP-Y-ZZ



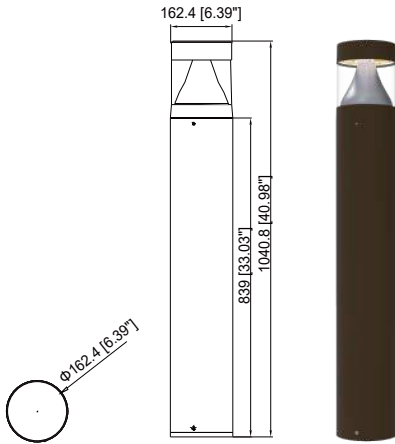
Disclaimer:
Due to the rapid pace of technology change in the Lighting industry, the Information and Data presented in this spec sheet is for reference purposes only, please confirm with PARAFLEX at the time of finalizing the order or design. PARAFLEX does not warrant or represent that the information is free from errors or omission. The information may change without notice and PARAFLEX is not in any way liable for the accuracy of any information printed and stored or in any way interpreted or used.

PFX-3414

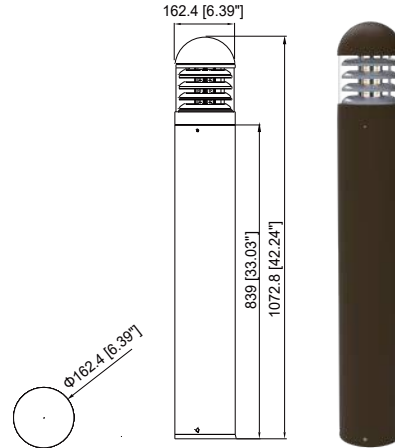
LED BOLLARD LIGHT



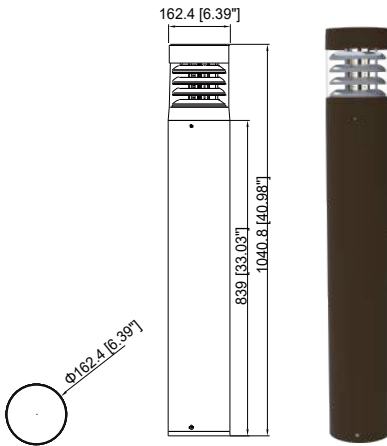
PFX-3414-BD03-24W-X-TCP-Y-ZZ



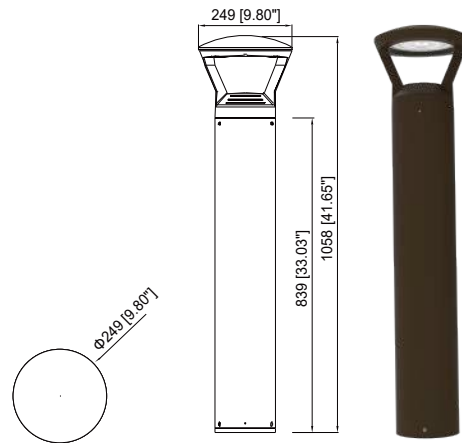
PFX-3414-BD04-24W-X-TCP-Y-ZZ



PFX-3414-BD05-24W-X-TCP-Y-ZZ



PFX-3414-BD06-24W-X-TCP-Y-ZZ



Disclaimer:

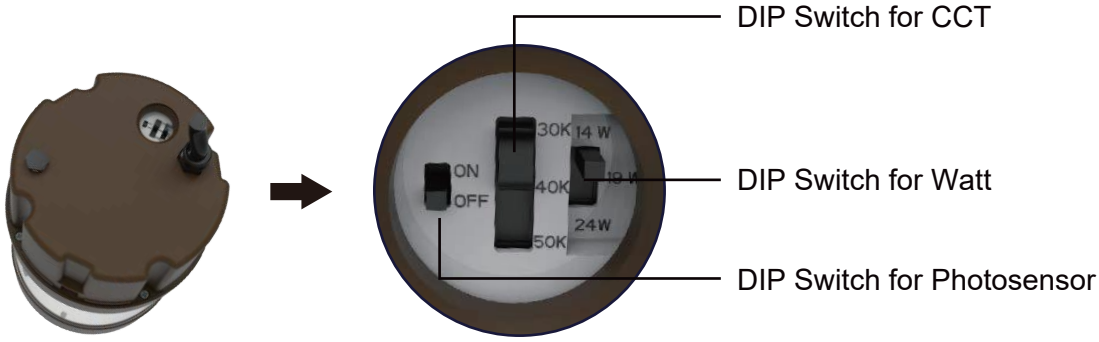
Due to the rapid pace of technology change in the Lighting industry, the Information and Data presented in this spec sheet is for reference purposes only, please confirm with PARAFLEX at the time of finalizing the order or design. PARAFLEX does not warrant or represent that the information is free from errors or omission. The information may change without notice and PARAFLEX is not in any way liable for the accuracy of any information printed and stored or in any way interpreted or used.

PFX-3414

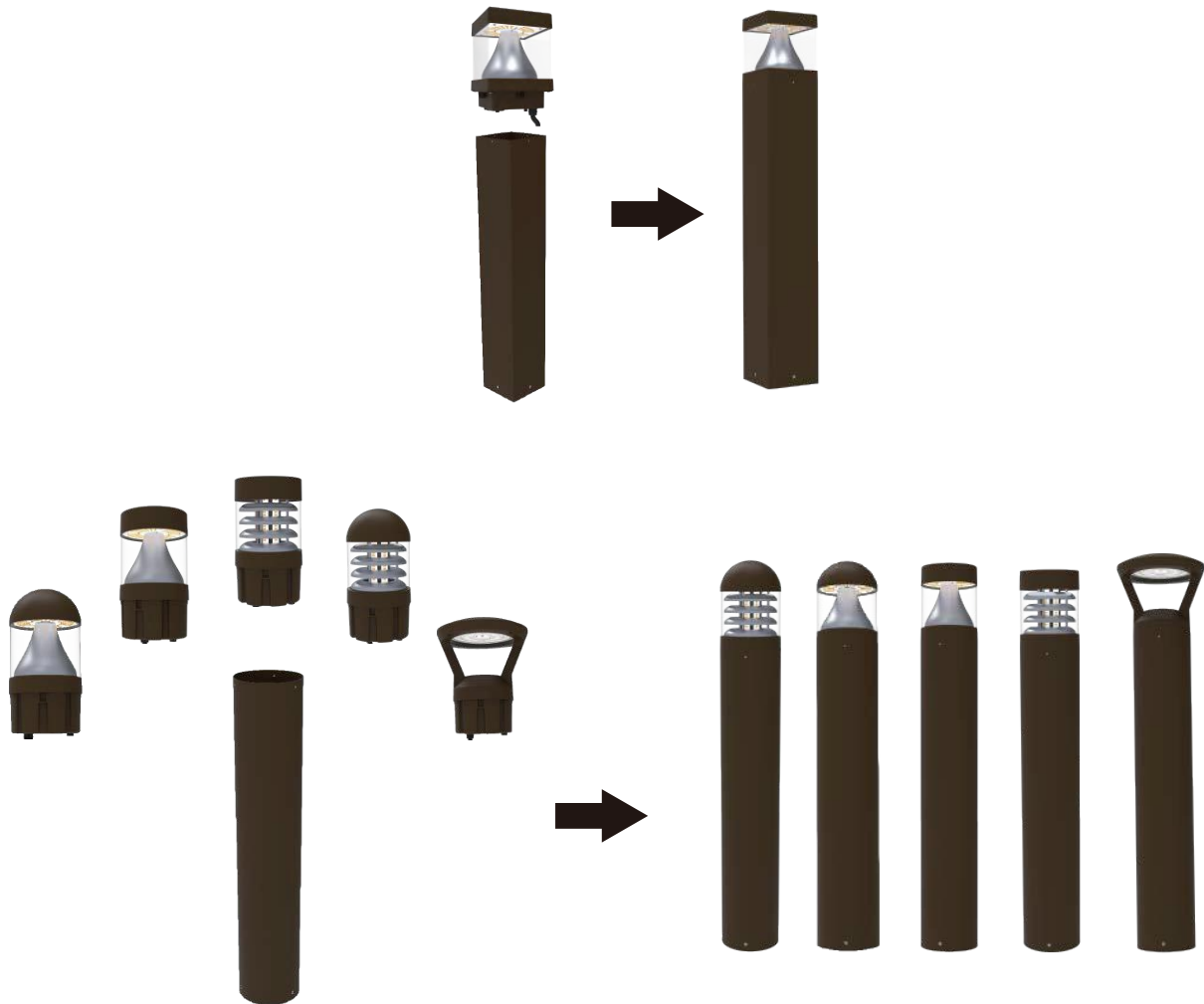
LED BOLLARD LIGHT



3 Cct & Wattage Selectable



The Top Heads Are Interchangeable



Disclaimer:
Due to the rapid pace of technology change in the Lighting industry, the Information and Data presented in this spec sheet is for reference purposes only, please confirm with PARAFLEX at the time of finalizing the order or design. PARAFLEX does not warrant or represent that the information is free from errors or omission. The information may change without notice and PARAFLEX is not in any way liable for the accuracy of any information printed and stored or in any way interpreted or used.

PFX-3414

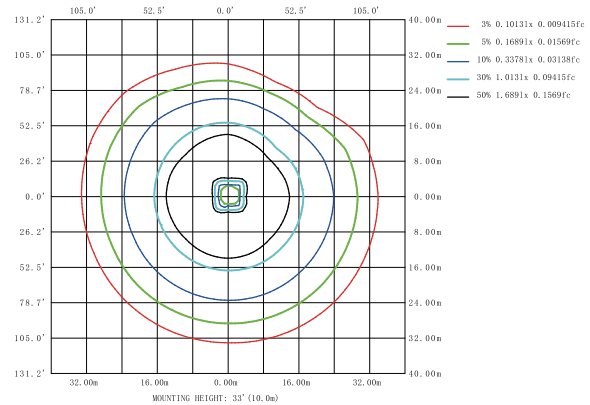
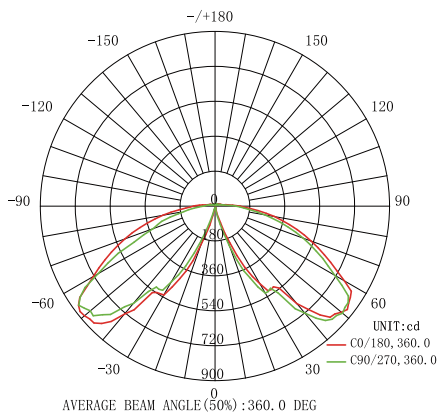
LED BOLLARD LIGHT



Lighting Parameters

Power & CCT selectable						
Part No.	Input Voltage	Frequency	Power	Rated Current	CCT	
PFX-3414-BD01-24W-X-TCP-Y-ZZ	AC120-277V	50/60Hz	24/19/14W	0.22A	30K/40K/50K	
PFX-3414-BD02-24W-X-TCP-Y-ZZ			24/19/14W	0.22A		
PFX-3414-BD03-24W-X-TCP-Y-ZZ			24/19/14W	0.22A		
PFX-3414-BD04-24W-X-TCP-Y-ZZ			24/19/14W	0.22A		
PFX-3414-BD05-24W-X-TCP-Y-ZZ			24/19/14W	0.22A		
PFX-3414-BD06-24W-X-TCP-Y-ZZ			24/19/14W	0.22A		
LED	Certification	Efficacy	Working tem.	CRI	Lifespan	Finish
LUMILEDS	cUL DLC	140LM/W	-40 F ~+113 F -40 C ~+45 C	Ra>70	>50000	BRONZE

PHOTOMETRICS



Disclaimer:

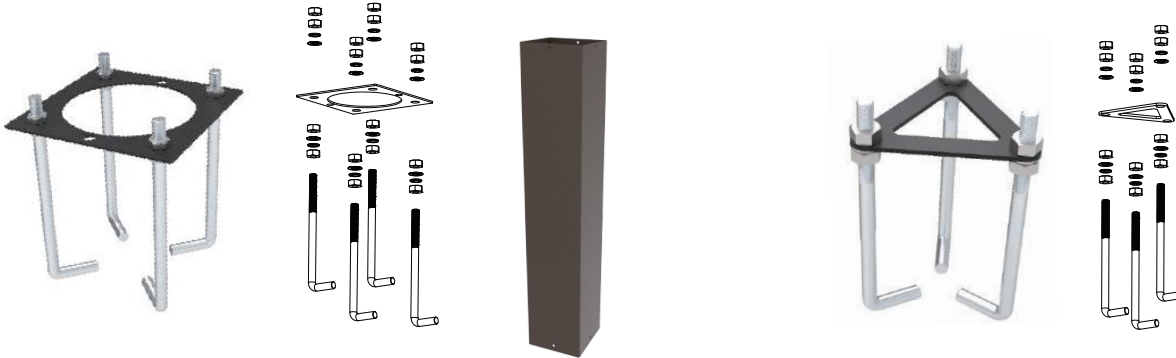
Due to the rapid pace of technology change in the Lighting industry, the Information and Data presented in this spec sheet is for reference purposes only, please confirm with PARAFLEX at the time of finalizing the order or design. PARAFLEX does not warrant or represent that the information is free from errors or omission. The information may change without notice and PARAFLEX is not in any way liable for the accuracy of any information printed and stored or in any way interpreted or used.

PFX-3414

LED BOLLARD LIGHT



ACCESSORIES



Packing/Weight

The fixture and bracket will be packed together.

Fixture	Outer box (L*W*H)	Qty/Ctn (pcs)	N.W/pcs (lbs/Kg)	G.W/pcs (lbs/Kg)
PFX-3414-BD01-24W-X-TCP-Y-ZZ	42.76**8.19**8.19" 1086*208*208mm	1	12.32/5.6	14.08/6.4
PFX-3414-BD02-24W-X-TCP-Y-ZZ	44.01**8.19**8.79" 1118*208*208mm	1	10.34/4.7	12.10/5.5
PFX-3414-BD03-24W-X-TCP-Y-ZZ	44.01**8.19**8.79" 1118*208*208mm	1	10.56/4.8	12.32/5.6
PFX-3414-BD04-24W-X-TCP-Y-ZZ	42.76**8.19**8.19" 1086*208*208mm	1	10.78/4.9	12.54/5.7
PFX-3414-BD05-24W-X-TCP-Y-ZZ	42.76**8.19**8.19" 1086*208*208mm	1	11.00/5.0	12.76/5.8
PFX-3414-BD06-24W-X-TCP-Y-ZZ	43.43**11.61**11.61" 1103*295*295mm	1	11.44/5.2	13.20/6.0

Safety Information

1. Using the standard working voltage: AC120~277V 50/60Hz do not exceed.
2. Be sure the power supply is turned off before installation.
3. Switch off power of the mains supply or the connection lead respectively before doing any works.
4. Please note waterproof, dust proof, electricity prevention and shockproof for the external power wires.
5. Directly bolts on the installation stem through the hole on the mounting bracket.
6. Be sure the connection between the wires is in good condition when install the lamps, beware of leakage.
7. Please read the specification carefully before installation.
8. The complete installation must be handled by an electrical expert.

Disclaimer:

Due to the rapid pace of technology change in the Lighting industry, the Information and Data presented in this spec sheet is for reference purposes only, please confirm with PARAFLEX at the time of finalizing the order or design. PARAFLEX does not warrant or represent that the information is free from errors or omission. The information may change without notice and PARAFLEX is not in any way liable for the accuracy of any information printed and stored or in any way interpreted or used.