

Installation Instructions

LED Tunable Strip Light - Selectable Wattage & CCT

⚠ WARNING - Risk of fire or Electric shock.

- To reduce the risk of fire, electric shock or injury to persons; read and follow all warning and installation instructions before installing.
- All installation should be performed by a qualified electrician.
- To avoid electric shock, ensure power is turned off before installation.
- All wiring must be installed in accordance with all Electrical Codes.
- To prevent product malfunction and/or electrical shock, this product must be properly grounded.
- Suitable for non-insulated frame. DO NOT cover fixture with insulation liner or similar material.
- DO NOT install fixture on unstable or easily breakable surface.
- DO NOT exert force on the surface of the fixture.

⚠ AVERTISSEMENT - Risque d'incendie ou de décharge électrique.

- Pour réduire le risque d'incendie, de décharge électrique ou de blessure, lire et suivre les avertissements et les instructions d'installation avant d'installer le produit.
- L'installation doit être effectuée par un électricien qualifié.
- Pour éviter toute décharge électrique, s'assurer que le courant est coupé avant de procéder à l'installation. Tout le câblage doit être installé conformément aux codes de l'électricité.
- Pour éviter le mauvais fonctionnement du produit ou une décharge électrique, ce produit doit être correctement mis à la terre
- Convient à une surface et à un cadre non isolés. NE PAS recouvrir le luminaire d'une doublure isolante ou autre matière similaire.
- NE PAS installer le luminaire sur une surface instable ou facilement cassable.
- NE PAS exercer de force sur la surface du luminaire.

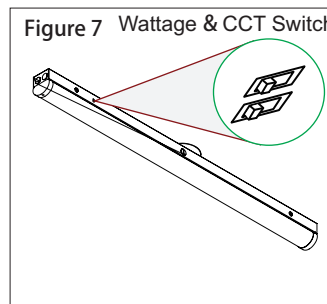
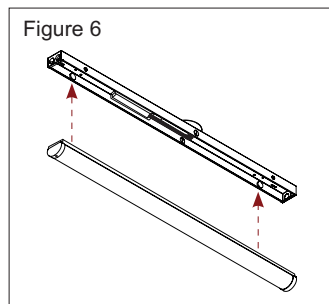
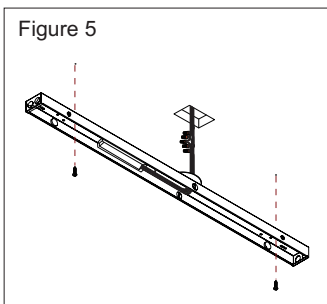
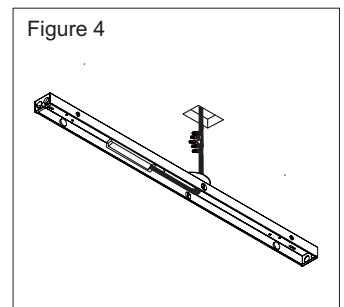
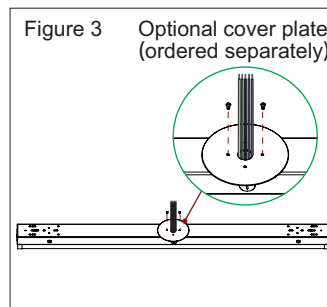
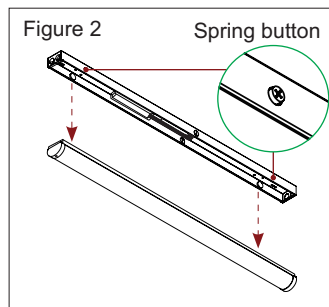
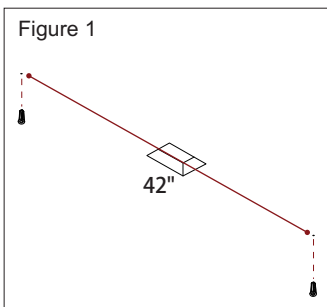
SURFACE MOUNT INSTALLATION

⚠ TURN OFF MAIN POWER BEFORE INSTALLATION

1. Install appropriate anchors (not included) into the ceiling or wall, if needed. (Figure 1)
2. Pinch spring buttons near both ends of the luminaire to remove the lens. (Figure 2)
3. Optional junction box cover plate may be used. (Figure 3)
4. Route power cord through cover plate and wire accordingly with wire nuts inside junction box: (Figure 4)
 - Black (120-277V) = Supply Voltage
 - White = Neutral
 - Green or Copper Wire = Grounding Junction Box Wire
- 0-10V Wiring:
 - Purple = Dim (+)
 - Pink or Grey = Dim (-)
 - Yellow = 12(+)

5. Secure luminaire to the mounting surface using appropriate hardware (not included). (Figure 5)
6. Replace the lens by pushing upward and secure with spring buttons. (Figure 6)
7. Change color temperature to desired CCT. Switch is located on the side of each luminaire. (Figure 7)

Note: Luminaire is preset to 4000K and may have been changed in shipping / handling / installation.



Disclaimer:

Due to the rapid pace of technology change in the Lighting industry, the Information and Data presented in this spec sheet is for reference purposes only, please confirm with PARAFLEX at the time of finalizing the order or design. PARAFLEX does not warrant or represent that the information is free from errors or omission. The information may change without notice and PARAFLEX is not in any way liable for the accuracy of any information printed and stored or in any way interpreted or used.

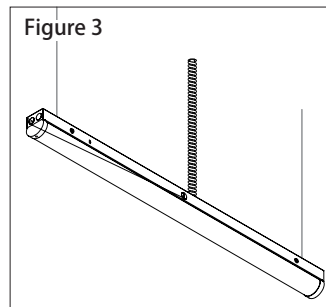
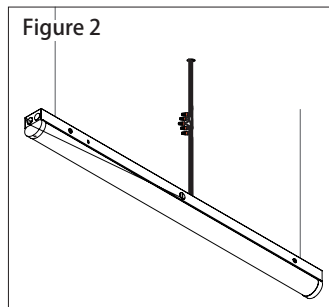
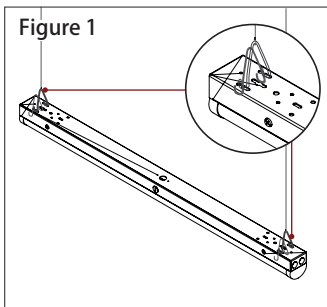
Installation Instructions

LED Tunable Strip Light - Selectable Wattage & CCT

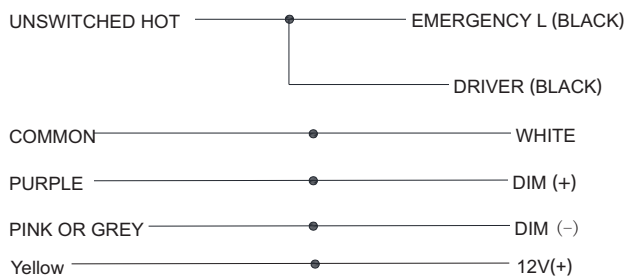
PENDANT MOUNT INSTALLATION

⚠️ TURN OFF MAIN POWER BEFORE INSTALLATION

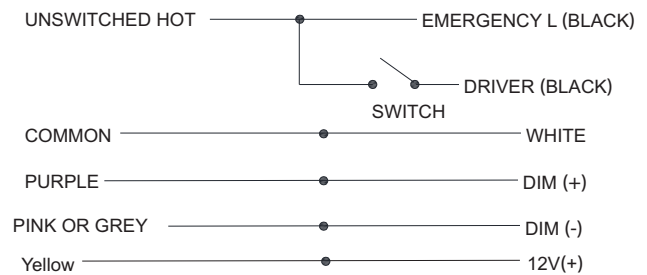
1. Attach aircraft cable to each hook and insert hooks into the mounting holes. (Figure 1)
2. Attach the aircraft cable to the ceiling and adjust lengths until luminaire is level and secure.
3. Route power cord and wire accordingly with wire nuts inside junction box: (Figure 2)
 - Black (120-277V) = Supply Voltage
 - White = Neutral
 - Green or Copper Wire = Grounding Junction Box Wire
- 0-10V Wiring:
 - Purple = Dim (+)
 - Pink or Grey = Dim(-)
 - Yellow=12(+)
4. Attach conduit (not included) to luminaire. (Figure 3)



EMERGENCY WIRING WITHOUT SWITCH



EMERGENCY WIRING WITH SWITCH



Disclaimer:

Due to the rapid pace of technology change in the Lighting industry, the Information and Data presented in this spec sheet is for reference purposes only, please confirm with PARAFLEX at the time of finalizing the order or design. PARAFLEX does not warrant or represent that the information is free from errors or omission. The information may change without notice and PARAFLEX is not in any way liable for the accuracy of any information printed and stored or in any way interpreted or used.