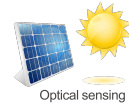


PFX-4003

Solar LED Post Top Light



DESCRIPTION

The working principle of Solar LED Post Top Light: The solar panel is irradiated by sunlight, absorbs the sun light and converts it into electric energy to charge the battery. At night, the battery pack provides power to supply the LED lighting to realize the illumination.

The DC controller can ensure that the battery pack is not damaged due to overcharging or overdischarging, meanwhile, it has temperature

compensation and lightning protection, reverse polarity protection and other functions such as Light control, lighting 3-5 rainy days.

Ideal for park, villa residence, Lawns, Courtyards, Roadways and many other applications.

FEATURES

- High luminous efficiency and long working life.
- A special solar controller is used.
- Osram light source chip is used.
- Monocrystalline silicon solar panel.
- Excellent optics design, greatly improve the light utilization and evenness.

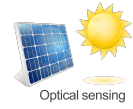


SPECIFICATION	
TYPE	PFX-4003-SPWPT12W5-50K-B
WATTAGE	12W
CCT	5000K
LUMEN	1245.6 LM
CRI	80
MATERIAL	Die-casting aluminum
SOLAR PANELS	5V/20W
BATTERY	3.2V/20000mAh
CHIP	OSRAM 3030
LAMP SIZE	15.75 X 15.75 X 16.54 inch
WORKING TIME	8H
CHARGING TIME	3-5H
WORKING TEMPERATURE	-4°F ~ 122°F
CABLE	NO
OUTDOOR RATING	IP65
WARRANTY	2 year limited

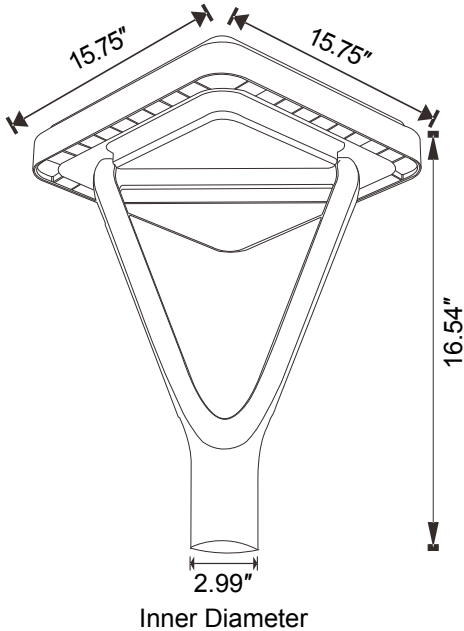
Note: Includes a pre-installed dusk-to-dawn light photocell sensor

Disclaimer:
Due to the rapid pace of technology change in the Lighting industry, the Information and Data presented in this spec sheet is for reference purposes only, please confirm with PARAFLEX at the time of finalizing the order or design. PARAFLEX does not warrant or represent that the information is free from errors or omission. The information may change without notice and PARAFLEX is not in any way liable for the accuracy of any information printed and stored or in any way interpreted or used.

PFX-4003
Solar LED Post Top Light



DIMENSION



PACKAGING INFORMATION

❖ PFX-4003-SPWPT12W5-50K-B

OUTER BOX:

405MMX405MMX200MM(1Pcs/CTN)
15.94" X 15.94" X 7.87"

SPECIFICATIONS:

Shell materials: Aluminum & PC
Net weight : 10.69 lbs

Finish: Black(Standard)
Product Size: 15.75" X 15.75" X 16.54"
(400mm X 400mm X 420mm)

ACCESSORIES



Screw+Hex wrench

ORDERING GUIDE

PFX-4003-SPWPT12W5-50K-Z [D, W, B, S]

Model Number	Product	wattage	Voltage	CCT	Finish
PFX-4003	SPWPT (Solar LED Post Top Light)	12W	5V	5000K	B - Black (Standard)

Disclaimer:
Due to the rapid pace of technology change in the Lighting industry, the Information and Data presented in this spec sheet is for reference purposes only, please confirm with PARAFLEX at the time of finalizing the order or design. PARAFLEX does not warrant or represent that the information is free from errors or omission. The information may change without notice and PARAFLEX is not in any way liable for the accuracy of any information printed and stored or in any way interpreted or used.