

Model Number

PFX-5509 Recessed Aluminum Exit Sign



Project:	
Type:	
Catalog #:	

STANDARD	OPTIONAL

ILLUMINATION

- Ultra bright, energy efficient, long life Red or Green LEDs.
- UV-stabilized ultra-clear acrylic edgelit panel provides consistent, uniform illumination.
- Double face utilizes factory installed silver or white mylar background panel.

ELECTRICAL

- Dual 120/277 voltage standard.
- Charge rate/power "ON" LED indicator light and push-to-test switch for mandated code compliance testing.
- 4.8V long life, maintenance-free, rechargeable NiCd battery (EM models only).
- Internal solid-state transfer switch automatically connects the internal battery to LED board for minimum 90-minute emergency illumination.
- Fully automatic solid-state, two rate charger initiates battery charging to recharge a discharged battery in 24 hours.

MOUNTING

- Compatible with drywall or drop ceiling mount installations. Bar hangers included.
- Wall mount capability optional.

HOUSING

- Premium-grade, extruded aluminum housing.
- Extruded aluminum trim assembly is easily detachable from below, providing accessibility for service or maintenance. Available in optional black or white powder-coated finishes.
- Self-adhesive Chevron appliques and guide template provided for directional indication.

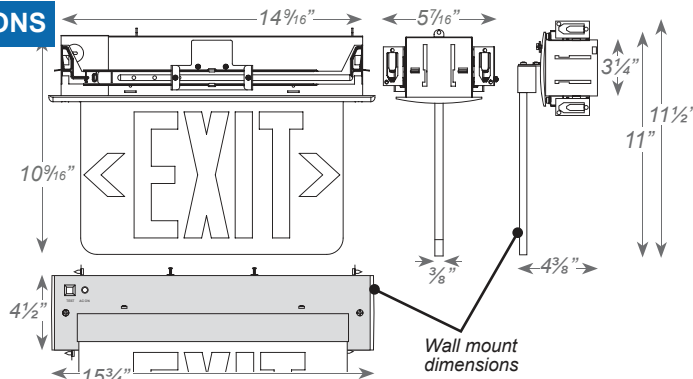
OPTIONS

- WM: Allows for the unit to be wall recessed mounted.
- 2C-120V/2C-277V: Voltage-specific dual circuit option on the AC-only unit enables it to be connected to two different supplies at the same time.
- SDT: Self-diagnostic feature performs monthly, biannual, and annual tests to ensure reliable operation and meets electrical and life safety codes.
- USA: Substantial transformation assembly in the U.S. complies with "Assembled in the USA" under the Buy American Act.
- SPV: UL Listed for 208/220/240 Volt, 50/60Hz.
- Custom: Signs available with requested 'special' wording.

WARRANTY / LISTING

- Five year warranty on all electronics and housing. Battery prorated for five years.
- Meets UL924, NFPA 101 Life Safety Code, NEC, OSHA, Local and State Codes.
- UL Listed for damp locations (0°C – 50°C).
- Certified to CEC under Title 20 Regulations.

DIMENSIONS



ORDERING INFORMATION

Sample Part Number: PFX5509RELZXT1RCWEM

MODEL	No. of FACES	LETTER COLOR	PANEL	TRIM PLATE	BATTERY	OPTIONS
PFX5509 RELZXT1	1	Single Face	R Red	C Clear ¹	W White (blank)	AC-Only WM Wall Mount ¹
	2	Double Face	G Green	M Mirror	B Black	EM Battery Backup
				W White	A Aluminum	
					2C-120	Dual Circuit With 120V Input ²
					2C-277	Dual Circuit With 277V Input ²
					SDT	Self-Diagnostics ³
					USA	Assembled In USA
					SPV	208/220/240 Volt, 50/60Hz ⁴
					CUSTOM	Custom Wording

¹ With single face only.

² Available only with AC units.

³ Available only with EM units.

⁴ Not available with SDT.

PFX-5509 Recessed Aluminum Exit Sign

Project:	
Type:	
Catalog #:	

ELECTRICAL INFORMATION

CATALOG NUMBER	INPUT WATTS (W)					INPUT AMPS (A)				
	120V	277V	208V	220V	240V	120V	277V	208V	220V	240V
PFX5509RELZXTE/EM/SPV	3.6	4.0	4.01	4.07	4.21	0.030	0.020	0.023	0.022	0.021
PFX5509RELZXTE/SDT/2C	3.6	4.0	-	-	-	0.030	0.020	-	-	-