

# PFX-3404

BOLLARD LIGHT



## DIE-CASTED ALUMINUM HOUSING

- Cast aluminum housing with dark bronze, powder coat finish. High impact, polycarbonate lens.

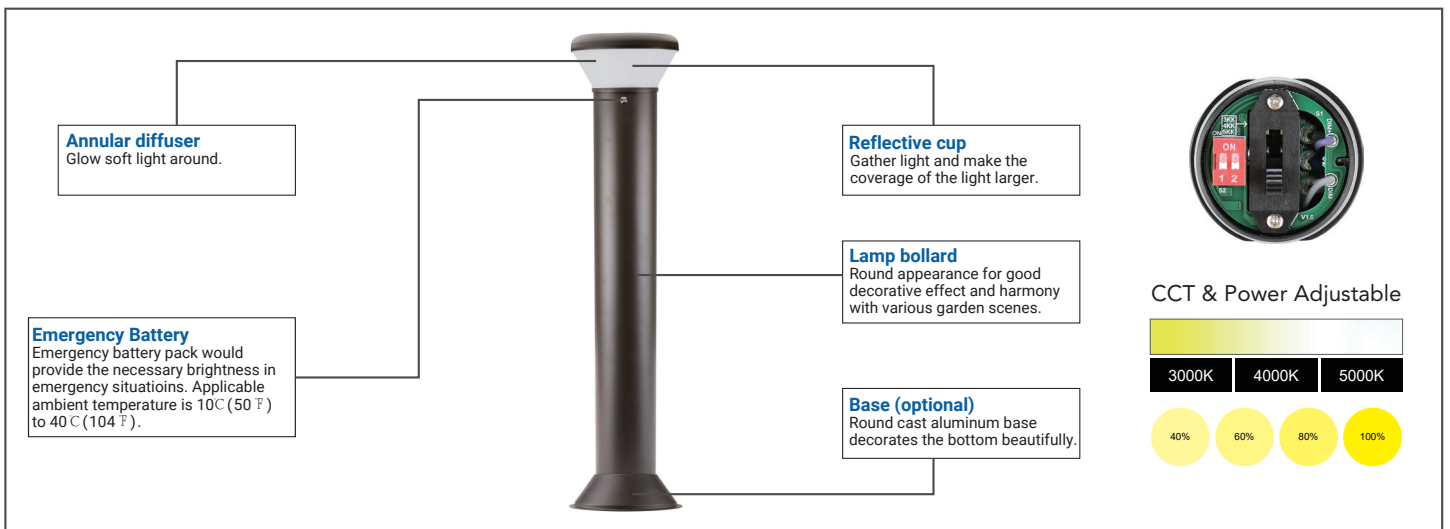
## FEATURES

- Efficacy higher than 115 lm/W with zero uplight while consumes 26W.
- Round appearance for good decorative effect, sized in 3.5ft height.
- Dark bronze polyester powder-coat finish.
- 360 degrees surround illumination with 80 CRI
- 1-10V dimming and projected over 50,000 hrs life span.
- Operating temperature is -40°C to 40°C (-40°F to 113°F).
- Optional emergency function for emergency needs.
- Robust ground cage pre-buried installation.
- UL/cUL wet location listed.



## PRODUCT APPLICATIONS

- |                   |                             |
|-------------------|-----------------------------|
| Walkways          | Business Districts          |
| Playgrounds       | Parks & Recreational Fields |
| Residential Areas | Commercial Areas            |



**Disclaimer:**

Due to the rapid pace of technology change in the Lighting industry, the Information and Data presented in this spec sheet is for reference purposes only, please confirm with PARAFLEX at the time of finalizing the order or design. PARAFLEX does not warrant or represent that the information is free from errors or omission. The information may change without notice and PARAFLEX is not in any way liable for the accuracy of any information printed and stored or in any way interpreted or used.

# PFX-3404

BOLLARD LIGHT



## ORDERING GUIDE

Example: PFX-3404-26W27V50KD

| MODEL                  | Wattage | Voltage      | CCT       | Finish          | Backup Battery (Option)         | Internal Code |
|------------------------|---------|--------------|-----------|-----------------|---------------------------------|---------------|
| PFX-3404 Bollard Light | 26 26W  | 27V 120-277V | 30K 3000K | D Dark Bronze   | B With Emergency Battery        | Blank         |
|                        |         |              | 40K 4000K | Optional Finish | Blank Without Emergency Battery | Alphanumeric  |
|                        |         |              | 50K 5000K | Optional Finish |                                 |               |

## ELECTRICAL DATA

| Number Of Drivers | Driver Current (mA) | Nominal Power (W) | INPUT VOLTAGE (V) | CURRENT (Amps) |
|-------------------|---------------------|-------------------|-------------------|----------------|
| 1                 | 670                 | 26                | 120               | 0.22           |
|                   |                     | 26                | 208               | 0.13           |
|                   |                     | 26                | 240               | 0.11           |
|                   |                     | 26                | 277               | 0.09           |

## PERFORMANCE DATA

| SYSTEM WATTS | VOLTAGE  | 3000K(CRI70) |         | 4000K(CRI80) |         | 5000K(CRI80) |         |
|--------------|----------|--------------|---------|--------------|---------|--------------|---------|
|              |          | LUMENS       | LPW     | LUMENS       | LPW     | LUMENS       | LPW     |
| 26W          | 120-277V | 2800lm       | 110lm/W | 3000lm       | 115lm/W | 3100lm       | 119lm/W |

## DLC Model NO

| SYSTEM WATTS | VOLTAGE  | CCT   | DLC NO.   | DLC Classification |
|--------------|----------|-------|---|--------------------|
| 26W          | 120-277V | 4000K | MBL0126W27V40K[D,B,W][Blank,B][Blank,A-Z,a-z,0-9] | Standard           |
|              | 120-277V | 5000K | MBL0126W27V50K[D,B,W][Blank,B][Blank,A-Z,a-z,0-9] | Standard           |

## APPLICATIONS



**Applications:** Suitable for building entryways, walking paths and pedestrian plazas, as well as any other location requiring a low-mounting-height light source.

**Disclaimer:**

Due to the rapid pace of technology change in the Lighting industry, the Information and Data presented in this spec sheet is for reference purposes only, please confirm with PARAFLEX at the time of finalizing the order or design. PARAFLEX does not warrant or represent that the information is free from errors or omission. The information may change without notice and PARAFLEX is not in any way liable for the accuracy of any information printed and stored or in any way interpreted or used.

# PFX-3404

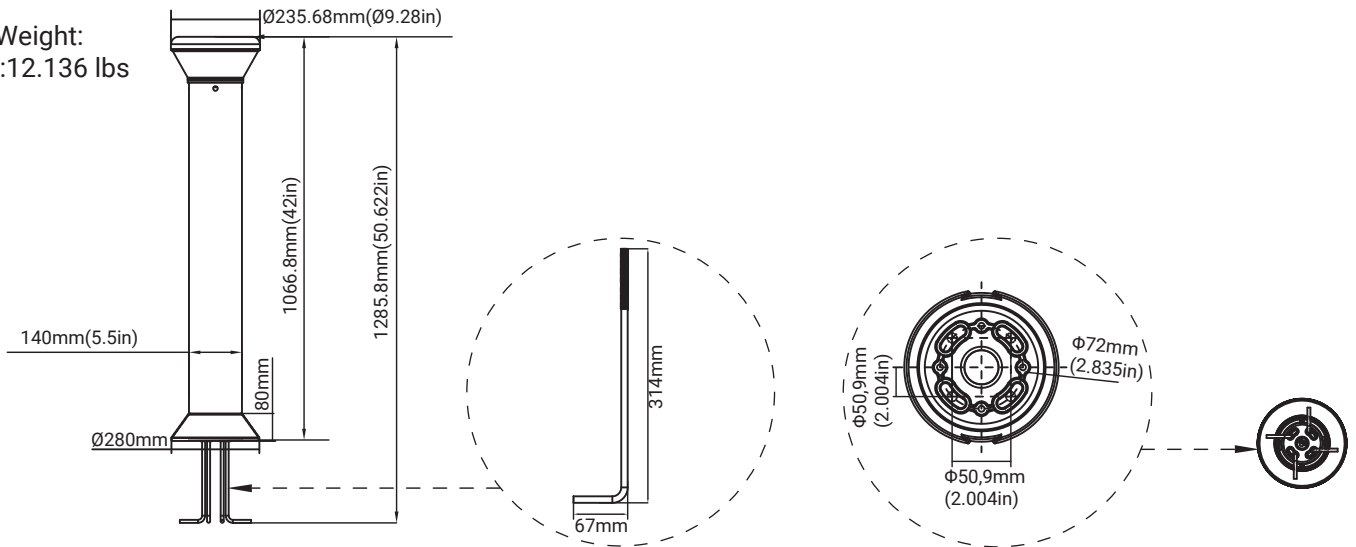
BOLLARD LIGHT



## DIMENSION

unit: inch/mm

Net Weight:  
26W:12.136 lbs



### ! WARNING

#### PLEASE READ ALL INSTRUCTIONS BEFORE ATTEMPTING INSTALLATION

- To prevent personal injury or product damage only licensed electricians should install.
- To avoid electric shock or component damage disconnect power before attempting installation or servicing.
- This product must be installed in accordance with the national electric code (NEC) and all applicable federal, state and local electric codes and safety standards.
- Disconnect product and allow cooling prior to servicing.
- Any alteration or modification of this product is expressly forbidden as it may cause serious personal injury, death, property damage and/or product malfunction.
- To prevent product malfunction and/or electrical shock this product must be properly grounded.
- This luminaire is designed to operate in ambient temperatures ranging from -40°C to 45°C and to be horizontally mounted with the LEDs facing down.
- This product must be installed in accordance with the applicable installation code by a Person familiar with the construction and operation of the product and the hazards involved.
- Min 75°C supply conductors.
- This product is not available for several special environments, such as places with corrosive gas liquids or high pressure water vapor.
- The allowable ambient temperature is 10°C(50°F) to 40°C(104°F) when configuring the emergency battery kit.

**Disclaimer:**

Due to the rapid pace of technology change in the Lighting industry, the Information and Data presented in this spec sheet is for reference purposes only, please confirm with PARAFLEX at the time of finalizing the order or design. PARAFLEX does not warrant or represent that the information is free from errors or omission. The information may change without notice and PARAFLEX is not in any way liable for the accuracy of any information printed and stored or in any way interpreted or used.

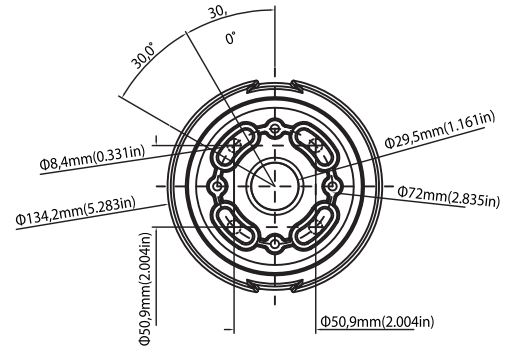
# PFX-3404

## BOLLARD LIGHT

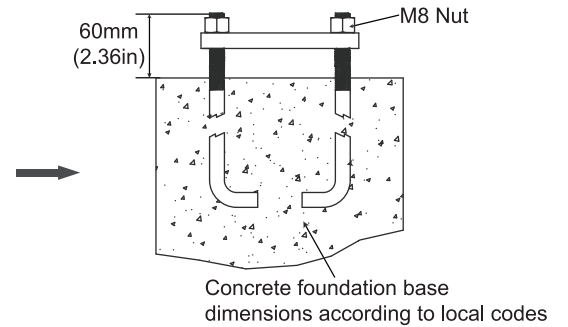
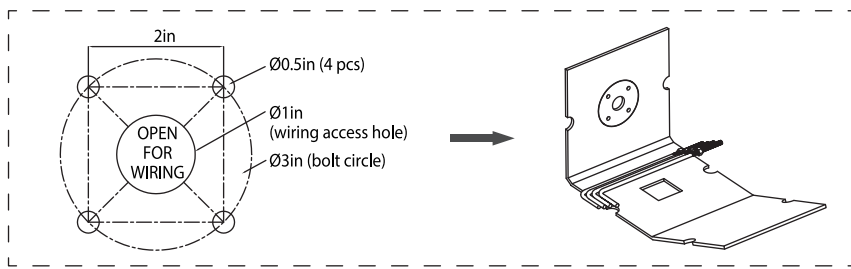
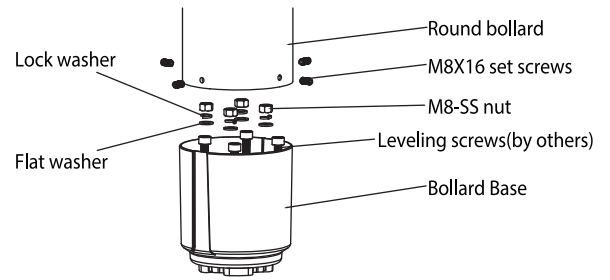
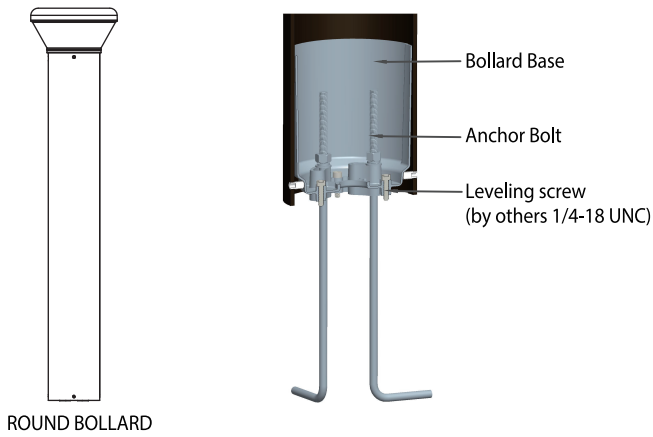


### INSTALLATION INSTRUCTION

1. Verify bolt circle diameter and anchor bolt projection and use anchor bolt template to assure accuracy.
2. Place the Bollard base over Anchor Bolts.
3. Loosely tighten the washers and nuts provided. Tighten all nuts and screws.
4. Be sure supply leads extend far enough to make fixture connections. Wiring connections can be made now.
5. Slide the bollard over on bollard base lined up with the grooves. Be sure to check the LED position on the Bollard.
6. Use the four set screws to secure the bollard to the bollard base.

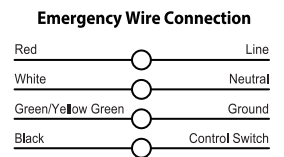
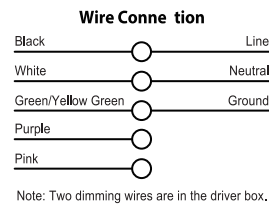


ANCHOR BOLT TEMPLATE FOR BLE BOLLARD



### TOOLS REQUIRED

| Mounting Type | Accessory    | Specifications           | Quantity |
|---------------|--------------|--------------------------|----------|
|               | Bollard Base | MBL0124DZ-D134H143(D)-YZ | 1        |
|               | M8-SS nut    | M8-SS                    | 4        |
|               | Anchor Bolt  | MBL0124ZJ-L314W8H67      | 4        |
|               | Flat Washer  | M8-SS                    | 4        |
|               | Lock Washer  | M8-OD15ID8.5H1.4-SS      | 4        |



**Disclaimer:**

Due to the rapid pace of technology change in the Lighting industry, the Information and Data presented in this spec sheet is for reference purposes only, please confirm with PARAFLEX at the time of finalizing the order or design. PARAFLEX does not warrant or represent that the information is free from errors or omission. The information may change without notice and PARAFLEX is not in any way liable for the accuracy of any information printed and stored or in any way interpreted or used.