

# Model Number

# PFX-5510 New York City Compliant Edgelite Aluminum Exit Sign

<b>Project:</b>	
<b>Type:</b>	
<b>Catalog #:</b>	

### STANDARD



### OPTIONAL



## ILLUMINATION

- Ultra bright, energy efficient, long life Red LEDs.
- UV-stabilized ultra-clear acrylic edgelit panel provides consistent, uniform illumination.
- Double face utilizes factory installed silver or white mylar background panel.
- New York City compliant 8" EXIT letters.

## ELECTRICAL

- Dual 120/277 voltage standard.
- Charge rate/power "ON" LED indicator light and push-to-test switch for mandated code compliance testing.
- 4.8V long life, maintenance-free, rechargeable NiCd battery (EM models only).
- Internal solid-state transfer switch automatically connects the internal battery to LED board for minimum 90-minute emergency illumination.
- Fully automatic solid-state, two rate charger initiates battery charging to recharge a discharged battery in 24 hours.

## MOUNTING

- Aluminum mounting canopy included for top, end or back mount. Available in optional black or white powder-coated finishes.

## HOUSING

- Premium-grade, extruded aluminum housing (also available in black or white powder-coated finishes).
- Self-adhesive Chevron appliques and guide template provided for directional indication.

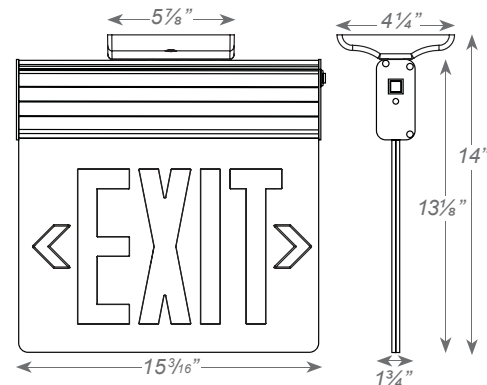
## OPTIONS

- SDT: Self-diagnostic feature performs monthly, biannual, and annual tests to ensure reliable operation and meets electrical and life safety codes.
- SPV: UL Listed for 208/220/240 Volt, 50/60Hz.

## WARRANTY / LISTING

- Five year warranty on all electronics and housing. Battery prorated for five years.
- Meets UL924, NFPA 101 Life Safety Code, NEC, OSHA, Local and State Codes.
- UL Listed for damp locations (0°C – 50°C).
- Certified to CEC under Title 20 Regulations.

## DIMENSIONS



## ORDERING INFORMATION

Sample Part Number: **PFX5510NYELXTEU1RCAEM**

MODEL	No. of FACES	LETTER COLOR	PANEL	HOUSING COLOR	BATTERY	OPTIONS
PFX5510 NYELXTEU	1 Single Face	R Red	C Clear <sup>1</sup>	W White	(blank) AC-Only	SDT Self-Diagnostics <sup>2</sup>
	2 Double Face		M Mirror	B Black	EM Battery Backup	SPV 208/220/240 Volt, 50/60Hz <sup>3</sup>
			W White	A Aluminum		

<sup>1</sup> With single face only.

<sup>2</sup> Available only with EM units.

<sup>3</sup> Not available with SDT.

Model Number

**PFX-5510**

New York City Compliant Edgelite  
Aluminum Exit Sign

<b>Project:</b>	
<b>Type:</b>	
<b>Catalog #:</b>	

**ELECTRICAL INFORMATION**

CATALOG NUMBER	INPUT WATTS (W)					INPUT AMPS (A)				
	120V	277V	208V	220V	240V	120V	277V	208V	220V	240V
PFX5510NYELXTEU/EM/SPV	3.6	4.0	3.9	3.93	3.98	0.030	0.020	0.023	0.022	0.021
PFX5510NYELXTEU/SDT	3.6	4.0	-	-	-	0.030	0.020	-	-	-