

PFX-3132

Project:	
Type:	
Catalog #:	



STANDARD



FEATURES

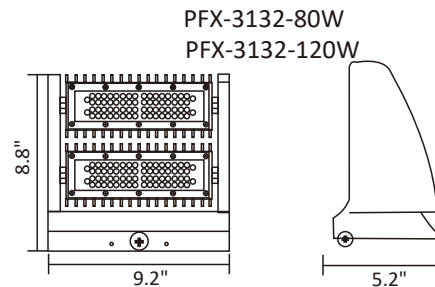
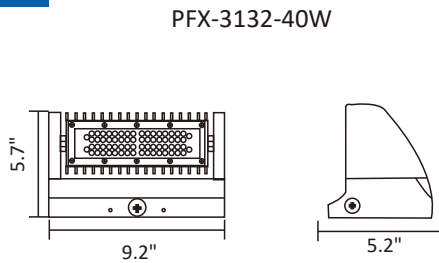
- Universal 120-277 AC voltage (50-60Hz) is standard.
- Replace up to 250W metal halide fixtures
- 0-10vdc dimming drivers are standard.
- Power factor > 0.90.
- Sturdy die-cast aluminum housing finished with a bronze corrosion-free powder coat.
- High Transmission PC optics. Optics can be rotated up to 350 degrees.
- Four knock-outs on the fixture for easy installation
- Photocell for dusk-to-dawn operation optional
- Emergency Battery Backup optional.



WARRANTY & LISTINGS

- cULus listed for wet locations in ambient temperatures from -20°C to 45°C (-4°F to 113°F).
- IP65 rated for ingress protection.
- DLC premium approved.
- Complies with FCC
- Surge protection: 40W=L-N:4kV, L/N-GND:4kV, 80W= L-N:2kV, L&N-PE:4kV , 120W= 6kV.
- 5-year warranty of all electronics and housing.

DIMENSION



ORDERING GUIDE

PFX-3132-40W-50K-BZ-27V-D1

MODEL	WATTAGE	COLOR TEMPERATURE	HOUSING COLOR	VOLTAGE	DIMMING	OPTIONS & ACCESSORIES
PFX-3132	40W 80W 120W	50K 5000K(std.)	BZ BRONZE (Std.)	27V 120-277V	D1 0-10V DIMMING	PC PHOTOCELL EM EMERGENCY BATTERY PACK

PARAFLEX does not warrant or represent that the information is free from errors or omission. The information may change without notice and PARAFLEX is not in any way liable for the accuracy of any information printed and stored or in any way interpreted or used.

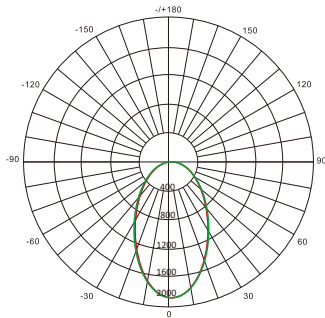
ELECTRICAL DATA

Model	Watts	Efficacy	Lumen Output	Volt	CCT	CRI	DIM	Beam Angle	Lamps Efficiency	Input Current 120V	Input Current 277V	PF	Junction Temperature
PFX-3132	40W	135LM/W	5400LM	120-277V	5000K	>72	0-10V	60°	≥90%	0.33A	0.14A	>0.9	<75°
	80W	135LM/W	10800LM	120-277V	5000K	>72	0-10V	60°	≥90%	0.66A	0.28A	>0.9	<75°
	120W	135LM/W	16200LM	120-277V	5000K	>72	0-10V	60°	≥90%	0.99A	0.43A	>0.9	<75°

Remarks: All above efficiency and lumens are subject to 5000K, please check IES files for accurate data

DISTRIBUTION DIAGRAM

PFX-3132-40W

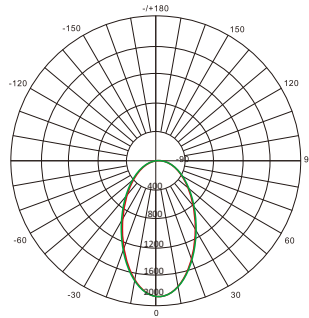


AVERAGE BEAM ANGLE(50%): 60°

Lumens:5400LM
Test Number:40W
Test Number:5000K

UNIT:CD
— C0/180,113.7
— C30/210,100.1
— C60/240,108.6
— C90/270,130.9

PFX-3132-80W



AVERAGE BEAM ANGLE(50%): 60°

Lumens:10400LM
Test Number:80W
Test Number:5000K

UNIT:CD
— C0/180,115.4
— C30/210,121.0
— C60/240,108.4
— C90/270,132.1

SPECIAL FEATURE

Rotate the optics in a 350° motion. Adjust the angle of the optics with your hand. No tools are necessary.



PHOTOCELL OPTION



Additional Accessory:
100-277Vac photoelectric switch

EMERGENCY BATTERY BACK OPTION



Additional Accessory:
18W Emergency Driver with Waterproof Junction Box

PARAFLEX does not warrant or represent that the information is free from errors or omission. The information may change without notice and PARAFLEX is not in any way liable for the accuracy of any information printed and stored or in any way interpreted or used.