

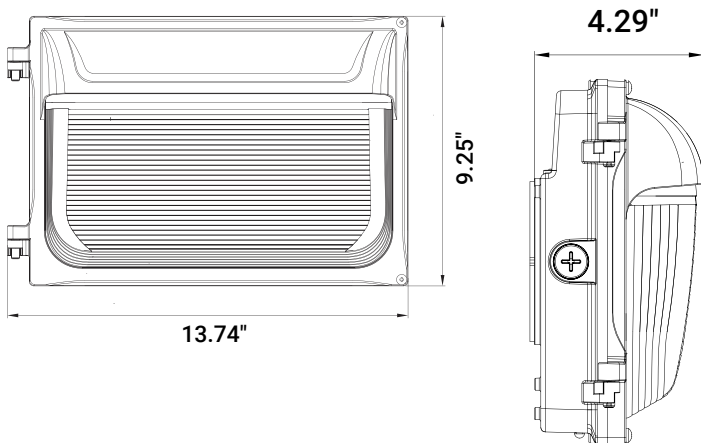
PFX-3130
WALL PACK



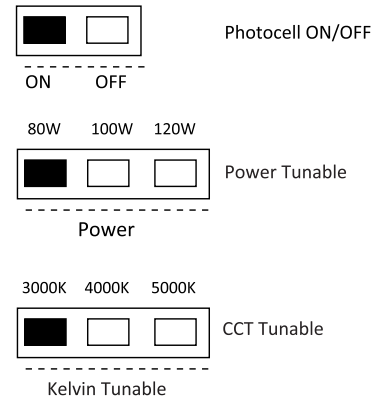
FEATURES

- Field selectable 3000k (warm white), 4000k (neutral white), and 5000k (cool white) color temperatures.
- Field selectable 80Watts,100Watt, and 120Watts power.
- Providing NEMA 4 x 6 light distribution.
- Replace up to 400W metal halide fixtures
- Integrated bypass photocell for dusk-to-dawn operation
- 0-10vdc dimming drivers are standard.
- Universal 120-277 AC voltage (50-60Hz) is standard.
- Power factor > 0.90.
- Color rendering index (Ra) > 80.
- Cast aluminum housing with dark bronze, powder coat finish.
- Prismatic borosilicate glass lens.
- 1/2"trade-size removable plug on the sides and back
- Easy installation in new construction or retrofit applications.

DIMENSION (INCHES)



CONTROL SWITCH



ORDERING GUIDE

Sample Part PFX-3130-120W-CCT-BZ-27V-D1-PC

MODEL	POWER TUNABLE WATTAGE	COLOR TEMPERATURE	HOUSING COLOR	VOLTAGE	DIMMING	OPTIONS & ACCESSORIES
PFX-3 130	120W 120/100/80W Tunable	CCT 3K/4K/5K Selectable	BZ BRONZE (Std.)	27V 120-277V	D1 0-10V DIMMING	PC PHOTOCELL (Std.) EM EMERGENCY BATTERY PACK

Disclaimer:

Due to the rapid pace of technology change in the Lighting industry, the Information and Data presented in this spec sheet is for reference purpose the order or design. PARAFLEX does not warrant or represent that the information is free from errors or omission. The information may change without notice and PARAFLEX is not in any way liable for the accuracy of any information printed and stored or in any way interpreted or used.

PFX-3130

WALL PACK



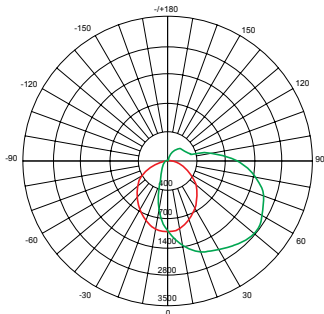
ELECTRICAL DATA

Model	Watts Selectable	Efficacy	Lumen Output	Volt	CCT	CRI	DIM	Beam Angle	Lamps Efficiency	Input Current 120V 277V	PF	Junction Temperature
PFX-3130	80W	130LM/W	10400LM	120-277V	30/40/50K Selectable	>80	0-10V	120°	≥90%	0.66A 0.28A	>0.9	<75°
	100W	130LM/W	13000LM	120-277V	30/40/50K Selectable	>80	0-10V	120°	≥90%	0.83A 0.36A	>0.9	<75°
	120W	130LM/W	15600LM	120-277V	30/40/50K Selectable	>80	0-10V	120°	≥90%	1.0A 0.43A	>0.9	<75°

Remarks: All above efficiency and lumens are subject to 5000K, please check IES files for accurate data

ELECTRICAL DATA

PFX-3130

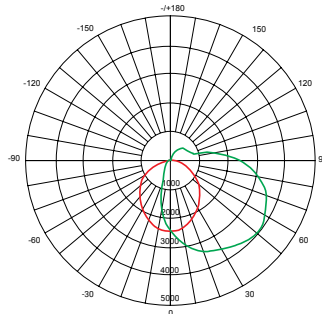


AVERAGE BEAM ANGLE(50%): 118.3°

UNIT:CD

- C0/180,113. 7
 - C30/210,100. 1
 - C60/240,108. 6
 - C90/270,130. 9
- Lumens:15600L M
Test Number:120 W
Test Number:5000K

PFX-3130

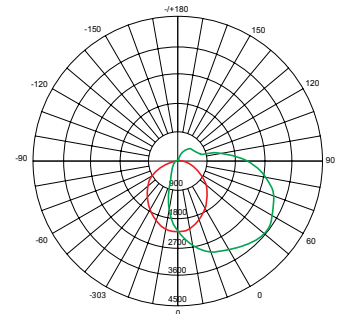


AVERAGE BEAM ANGLE(50%): 120.9°

UNIT:CD

- C0/180,120. 1
 - C30/210,120. 9
 - C60/240,111. 3
 - C90/270,131. 4
- Lumens:13000LM
Test Number:100 W
Test Number:5000K

PFX-3130



AVERAGE BEAM ANGLE(50%): 119.2°

UNIT:CD

- C0/180,115. 4
 - C30/210,121. 0
 - C60/240,108. 4
 - C90/270,132. 1
- Lumens:10400L M
Test Number:80W
Test Number:5000K

Disclaimer:

Due to the rapid pace of technology change in the Lighting industry, the Information and Data presented in this spec sheet is for reference purpose the order or design. PARAFLEX does not warrant or represent that the information is free from errors or omission. The information may change without notice and PARAFLEX is not in any way liable for the accuracy of any information printed and stored or in any way interpreted or used.