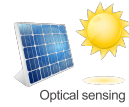


# PFX-4021

## Solar LED Round Bollard Light



### DESCRIPTION

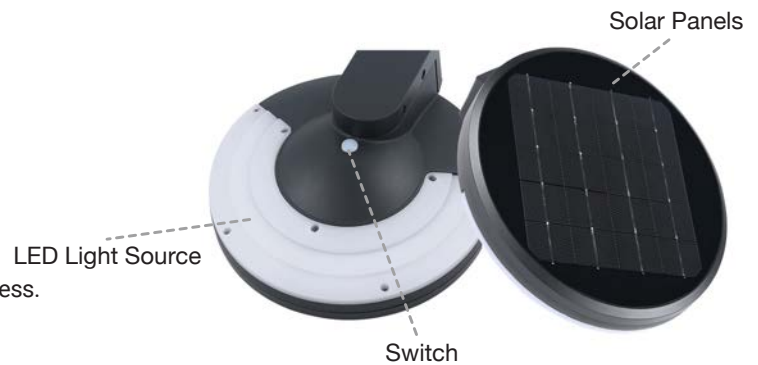
The working principle of Solar LED Round Bollard Light: The solar panel is irradiated by sunlight, absorbs the sun light and converts it into electric energy to charge the battery. At night, the battery pack provides power to supply the LED lighting to realize the illumination.

The DC controller can ensure that the battery pack is not damaged due to overcharging or overdischarging, meanwhile, it has temperature compensation and lightning protection, reverse polarity protection and other functions such as Light control, lighting 3-5 rainy days.

Ideal for park, villa residence, Lawns, Courtyards, Roadways and many other applications.

### FEATURES

- High luminous efficiency and long working life.
- A special solar controller is used.
- Osram light source chip is used.
- Monocrystalline silicon solar panel
- Excellent optics design, greatly improve the light utilization and evenness.



### SPECIFICATION

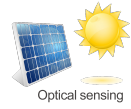
<b>TYPE</b>	PFX-4021-SPRBL5W5-50K-B
<b>WATTAGE</b>	5W
<b>CCT</b>	5000K
<b>LUMEN</b>	266 LM
<b>CRI</b>	80
<b>MATERIAL</b>	Die-casting aluminum
<b>SOLAR PANELS</b>	5V/4.5W
<b>BATTERY</b>	3.2V/6000mAh
<b>CHIP</b>	OSRAM 3030
<b>LAMP SIZE</b>	φ9.33 X 39.37 inch
<b>WORKING TIME</b>	8H
<b>CHARGING TIME</b>	3-5H
<b>WORKING TEMPERATURE</b>	-4°F ~ 122°F
<b>CABLE</b>	NO
<b>OUTDOOR RATING</b>	IP65
<b>WARRANTY</b>	2 year limited

Note: Includes a pre-installed dusk-to-dawn light photocell sensor

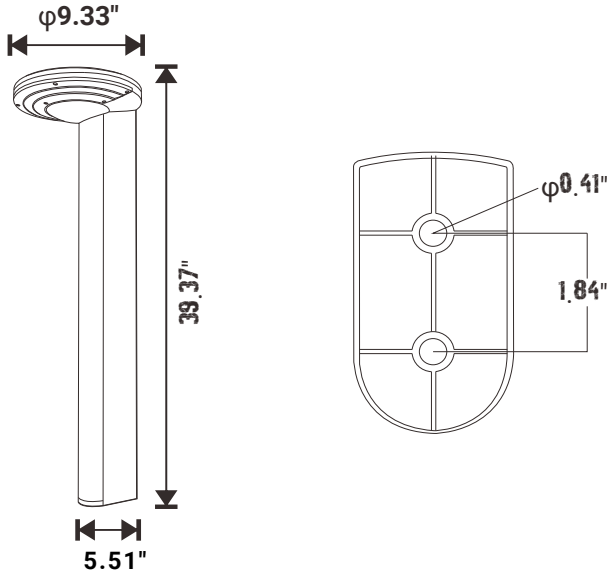
**Disclaimer:**  
Due to the rapid pace of technology change in the Lighting industry, the Information and Data presented in this spec sheet is for reference purposes only, please confirm with PARAFLEX at the time of finalizing the order or design. PARAFLEX does not warrant or represent that the information is free from errors or omission. The information may change without notice and PARAFLEX is not in any way liable for the accuracy of any information printed and stored or in any way interpreted or used.

# PFX-4021

Solar LED Round Bollard Light



## DIMENSION



## PACKAGING INFORMATION

❖ **PFX-4021-SPRBL5W5-50K-B**

### OUTER BOX:

1000MM X 260MM X 260MM (4Pcs/CTN)  
(39.37" X10.24" X10.24" )

### SPECIFICATIONS:

Shell materials: Aluminum & PC

Net weight : 5.71 lbs

Finish: Black(Standard)

Product Size: 9.33"X39.37"

(φ237mm X 1000mm)

## ACCESSORIES



Expansion Screw



Mounting Plate+Screw

## ORDERING GUIDE

### PFX-4021-SPRBL5W5-50K-Z [ D, W, B, S ]

Model Number	Product	wattage	Voltage	CCT	Finish
PFX-4021	SPRBL (Solar LED Round Bollard Light)	5W	5V	5000K	B - Black (Standard)

**Disclaimer:**  
Due to the rapid pace of technology change in the Lighting industry, the Information and Data presented in this spec sheet is for reference purposes only, please confirm with PARAFLEX at the time of finalizing the order or design. PARAFLEX does not warrant or represent that the information is free from errors or omission. The information may change without notice and PARAFLEX is not in any way liable for the accuracy of any information printed and stored or in any way interpreted or used.