

PFX-3731

LED Tennis and Pickleball Light with Selectable Lumen



INTRODUCTION

- PFX-3731 a cutting - edge lighting solution, is tailor - made for sports venues. Engineered with a strong emphasis on reliability and cost -efficiency, this fixture delivers 40,800lm to 102,000lm, which can replace 500W to 1,200W HID luminaires, enabling users to implement energy-saving lighting setups effortlessly.
- The whole family includes two different sizes. Specifically, adding an additional module to the 400W fixture enables it to be assembled into a 600W fixture.
- Photocell and Zhaga motion sensor are also available. The fixture with Buletooth control sensor is support LLLC of HAISEN BLUE and Silvair.
- PFX-3731 is suitable for diverse scenarios, providing high-quality lighting for community courts, schools, corporate sports venues, and non-professional competition sites.



PRODUCT SPECIFICATION

Construction:

- Tennis and PickleballLight features a rugged die-cast aluminum body that uses heatsink and flow-through venting to provide optimal thermal management that both enhances LED performance and extends component life. The light housing issealed against moisture and environmental contaminants. The 3G vibration rated compact design minimizes wind load requirements. With a low EPA, it allows pole optimization.

Electrical:

- The Input voltage is AC120-277V/AC277-480V (50/60Hz).
- All models are designed to withstand up to L/N-PE: 20kV, L-N: 20kV surge.
- Equipped with a 0-10V dimmable driver. The fixtures do not have dimming wires led out by default; an additional cost will be required for modifica on to include them.
- Power Factor ≥ 0.9
- THD $\leq 20\%$
- 2 (24")long power cord provided for easier installation.

Optics:

- Light engines are available in 3000K, 4000K, 5000K, and CRI70 configurations.
- Two distribu ons Tennis Court TYPEIII and Sports Field optional.

Finish:

- Dark bronze color is standard. Dark green(AL6005), white and black color are available.

Ambient Temperature:

- 40°F (-40°C)to 122°F (50°C)

Listing:

- cULus Listed and DLC 5.1 Premium Pending.

Warranty:

- 10-year limitedwarranty.

Disclaimer:

Due to the rapid pace of technology change in the Lighting industry, the Information and Data presented in this spec sheet is for reference purposes only, please confirm with PARAFLEX at the time of finalizing the order or design. PARAFLEX does not warrant or represent that the information is free from errors or omission. The information may change without notice and PARAFLEX is not in any way liable for the accuracy of any information printed and stored or in any way interpreted or used.

PFX-3731

LED Tennis and Pickleball Light with Selectable Lumen



ORDERING GUIDE

Example: PFX-3731-600WS50KLVTCSFDCPS

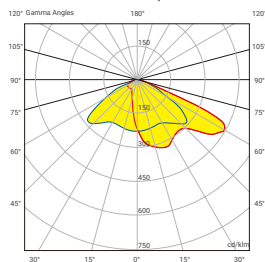
Model	Wattage Selectable ¹ XXXWS	CCT XXK	Input Voltage ² AA	Dist.Type HH	Mounting XX	Finish	Photocontrol Z	Sensor
PFX-3731	400WS 400/320/240W	3K 3000K	UV AC120-277V	TC Tennis Court TYPEIII	SF Slipfitter Mount PA Square and Round Pole Mount arm TR Trunnion Mount	DC Dark Bronze(std) Optional Finish GC Dark Green	Blank without Photocell	Blank without Sensor
	600WS 600/480/360W	4K 4000K 5K 5000K	HV AC277-480V	SP Sports Field	YK Yoke mount AA Adjustable Square and Round Pole Mount arm UB Universal Bracket WM Wall Mount	BC Black WC White SC Silver	P with Photocell	S Sensor BS Networking Wireless Control version Sensor
Note: ¹ 400WS=400W, 320W, 240W Selectable, 400W default setting. 600WS=600W, 480W, 360W Selectable, 600W default setting. ² The Input Voltage AC120-277V and AC277-480V is for US Market,								

PERFORMANCE DATA

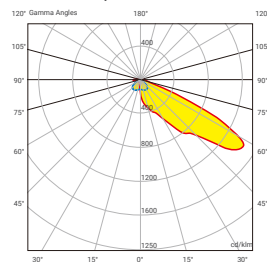
Model	Watts	Lumen@5000K	CCT	Input voltage
PFX-3731 400WSXXKAAHHXXYYZK	400/320/240W	Max.68,000lm	3000K,4000K,or 5000K	120-277Vac/277-480Vac 50/60Hz
PFX-3731 600WSXXKAAHHXXYYZK	600/480/360W	Max.102,000lm		

PHOTOMETRICS DIAGRAMS

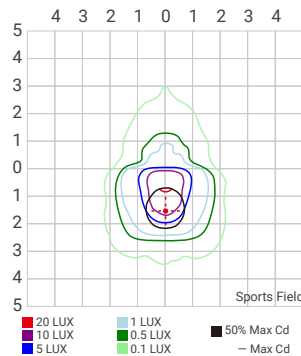
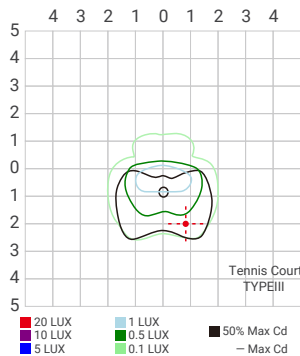
Tennis Court TYPEIII (As standard offer)



Sports Field



Isofootcandle plots for the 400W-5000K. Distances are in units of mounting height(30')



Disclaimer:

Due to the rapid pace of technology change in the Lighting industry, the Information and Data presented in this spec sheet is for reference purposes only, please confirm with PARAFLEX at the time of finalizing the order or design. PARAFLEX does not warrant or represent that the information is free from errors or omission. The information may change without notice and PARAFLEX is not in any way liable for the accuracy of any information printed and stored or in any way interpreted or used.

PFX-3731

LED Tennis and Pickleball Light with Selectable Lumen



EPA (Square and round pole arm)

*Includes luminaire and integral mounting arm. Other tenons, arms, brackets or other accessories are not included in this EPA data

Mounting Type	Tilt	EPA(ft ²)								
		Single	2@90	2@180	3@90	3@120	4@90	2 Side by Side	3 Side by Side	4 Side by Side
Size 1	0°	0.30	0.30	0.94	1.18	1.06	1.53	0.60	0.90	1.20
	10°	0.60	0.60	0.94	1.48	1.33	1.92	1.20	1.80	2.40
	20°	1.11	1.11	1.11	1.99	1.79	2.59	2.22	3.33	4.44
	30°	1.64	1.64	1.64	2.53	2.28	3.29	3.28	4.92	6.56
	40°	1.98	1.98	1.98	2.86	2.57	3.72	3.96	5.94	7.92
	50°	2.40	2.40	2.40	3.28	2.95	4.26	4.80	7.20	9.60
	60°	2.71	2.71	2.71	3.60	3.24	4.68	5.42	8.13	10.84
	70°	2.97	2.97	2.97	3.86	3.47	5.02	5.94	8.91	11.88
	80°	3.12	3.12	3.12	4.00	3.60	5.20	6.24	9.36	12.48
	90°	3.16	3.16	3.16	4.05	3.65	5.27	6.32	9.48	12.64
Size 2	0°	0.30	0.30	1.20	1.45	1.31	1.89	0.60	0.90	1.20
	10°	0.86	0.86	1.20	2.01	1.81	2.61	1.72	2.58	3.44
	20°	1.57	1.57	1.57	2.71	2.44	3.52	3.14	4.71	6.28
	30°	2.24	2.24	2.24	3.39	3.05	4.41	4.48	6.72	8.96
	40°	2.72	2.72	2.72	3.87	3.48	5.03	5.44	8.16	10.88
	50°	3.27	3.27	3.27	4.42	3.98	5.75	6.54	9.81	13.08
	60°	3.72	3.72	3.72	4.87	4.38	6.33	7.44	11.16	14.88
	70°	3.94	3.94	3.94	5.10	4.59	6.63	7.88	11.82	15.76
	80°	4.15	4.15	4.15	5.34	4.81	6.94	8.30	12.45	16.60
	90°	4.19	4.19	4.19	5.38	4.84	6.99	8.38	12.57	16.76

POWER SELECTION CAPABILITY

Power Select Technology

Size	Power Selection	Default Setting
Size 1	Adjust power between 400/320/240W	400W
Size 2	Adjust power between 600/480/360W	600W

Disclaimer:
Due to the rapid pace of technology change in the Lighting industry, the Information and Data presented in this spec sheet is for reference purposes only, please confirm with PARAFLEX at the time of finalizing the order or design. PARAFLEX does not warrant or represent that the information is free from errors or omission. The information may change without notice and PARAFLEX is not in any way liable for the accuracy of any information printed and stored or in any way interpreted or used.

PFX-3731

LED Tennis and Pickleball Light with Selectable Lumen



ACCESSORIES

Photocell

Factory-Installable ONLY (purchased separately).


	PFX-3731-SCKit01 Shorting Cap Kit (with receptacle)		PFX-3731-PCKit-UNV27V-207C5HP Blue Twist-lock Photocell Kit (with receptacle) for PFX-3731, at AC120-277V
	PFX-3731-PCKit-UNV34V Twist-lock Photocell Kit (with receptacle) for PFX-3731, at AC120-347V		PFX-3731-PCKit-HV48V Twist-lock Photocell Kit (with receptacle) for PFX-3731, at AC277-480V

Sensor

Factory-Installable OR Field-Installable (purchased separately).

	PFX-3731-ZGZ10SB-BA Zhaga Z10 sensor base for PFX-3731		PFX-3731-HSE-SP9H-3 Zhaga mo on PIR sensor for PFX-3731
	PFX-3731-HSE-BSP9H-3 Zhaga mo on PIR sensor for PFX-3731 (Networking Wireless Control Version)		

Field-Installable/ Field-Use ONLY (purchased separately)

	HD06R Remote Control
---	--------------------------------



Glare Shield

Field-Installable/ Field-Use ONLY (purchased separately)

		PFX-3731-HGS-D-A External Half Glare shield for PFX-3731
---	---	--

Disclaimer:

Due to the rapid pace of technology change in the Lighting industry, the Information and Data presented in this spec sheet is for reference purposes only, please confirm with PARAFLEX at the time of finalizing the order or design. PARAFLEX does not warrant or represent that the information is free from errors or omission. The information may change without notice and PARAFLEX is not in any way liable for the accuracy of any information printed and stored or in any way interpreted or used.

PFX-3731

LED Tennis and Pickleball Light with Selectable Lumen



MOUNTING INFORMATION

Mounts and Brackets

May come with separate box with fixture (purchased separately).

	<p>ALHSQMD02 Square & Round Pole Mount for PFX-3731, Dark Bronze, Ver2 (Other customized colors are available.)</p>		<p>ALHSPMD01 Slipfitter Mount for PFX-3731, Dark Bronze (Other customized colors are available.)</p>
	<p>ALHWMD01 Wallmount for PFX-3731, Dark Bronze (Other customized colors are available.)</p>		<p>ALHTRMD01 Trunion Mount for PFX-3731, Dark Bronze (Other customized colors are available.)</p>
	<p>ALHUVMD01 Universal Bracket Mount for PFX-3731, Dark Bronze (Other customized colors are available.)</p>		<p>ALHAAMD02 Adjustable Square & Round Pole Mount for PFX-3731, Dark Bronze, Ver2 (Other customized colors are available.)</p>
	<p>PFX-3731-YKMD01 Yoke Mount for PFX-3731, Dark Bronze (Other customized colors are available.)</p>		

Disclaimer:
Due to the rapid pace of technology change in the Lighting industry, the Information and Data presented in this spec sheet is for reference purposes only, please confirm with PARAFLEX at the time of finalizing the order or design. PARAFLEX does not warrant or represent that the information is free from errors or omission. The information may change without notice and PARAFLEX is not in any way liable for the accuracy of any information printed and stored or in any way interpreted or used.

PFX-3731

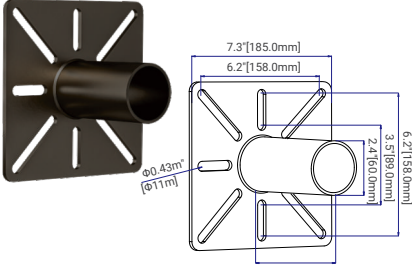
LED Tennis and Pickleball Light with Selectable Lumen



MOUNTING INFORMATION

Tenon Bracket

May come with separate box with fixture (purchased separately).



PFX-3731-AP-PM-HT-2-A
Horizontal Pole Mount with 2-3/8" O.D. Tenon Bracket, Dark Bronze
(This tenon adapter can be install on to the pole for Tennies & Pickleball court, the used for moun ng a fixture with an adjustable slip fitter)

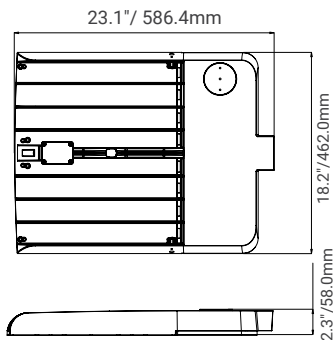
ELECTRICAL DATA

Model Series	Wattage(W)	Current (A)					
		Input Voltage (V)					
		120	208	240	277	347	480
PFX-3731-400WS	240	2.22	1.28	1.11	0.96	0.77	0.56
	320	2.96	1.71	1.48	1.28	1.02	0.74
	400	3.70	2.14	1.85	1.60	1.28	0.93
PFX-3731-600WS	360	3.33	1.92	1.67	1.44	1.15	0.83
	480	4.44	2.56	2.22	1.93	1.54	1.11
	600	5.56	3.21	2.78	2.41	1.92	1.39

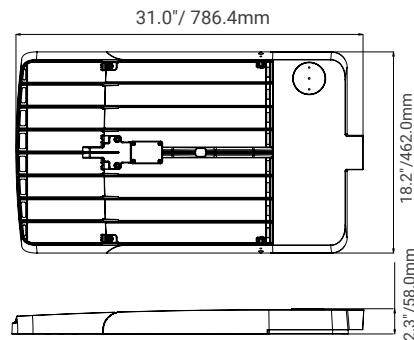
DIMENSIONS

400W / 320W / 240W

Without Mounting Bracket



600W / 480W / 360W



Disclaimer:
Due to the rapid pace of technology change in the Lighting industry, the Information and Data presented in this spec sheet is for reference purposes only, please confirm with PARAFLEX at the time of finalizing the order or design. PARAFLEX does not warrant or represent that the information is free from errors or omission. The information may change without notice and PARAFLEX is not in any way liable for the accuracy of any information printed and stored or in any way interpreted or used.

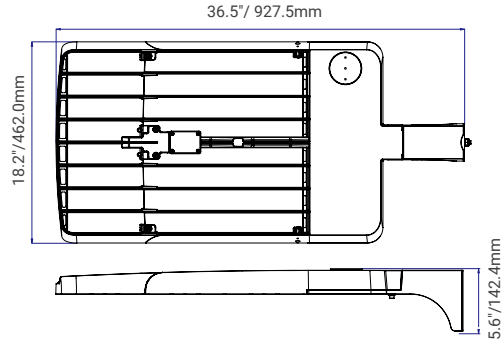
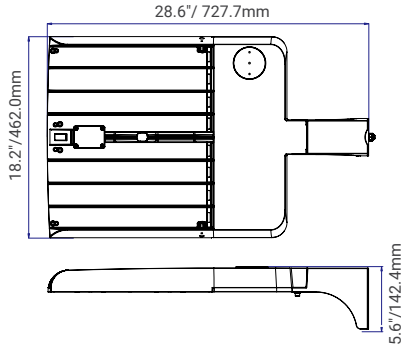
PFX-3731

LED Tennis and Pickleball Light with Selectable Lumen

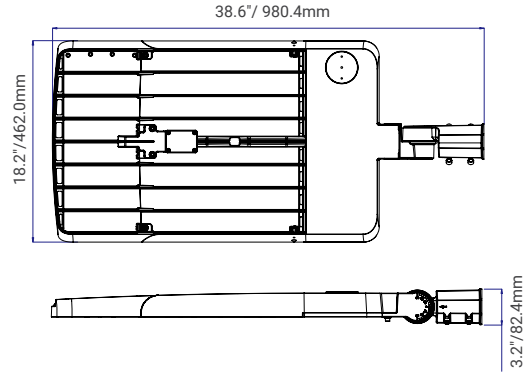
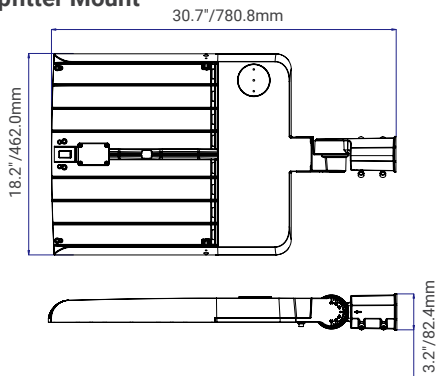


DIMENSIONS

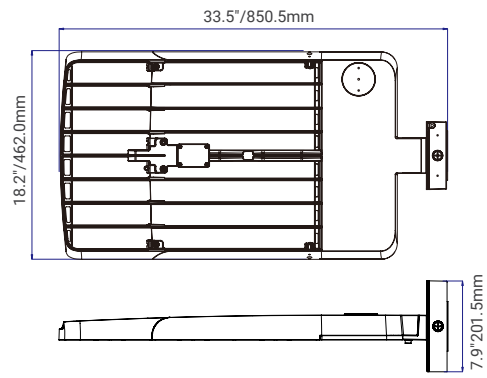
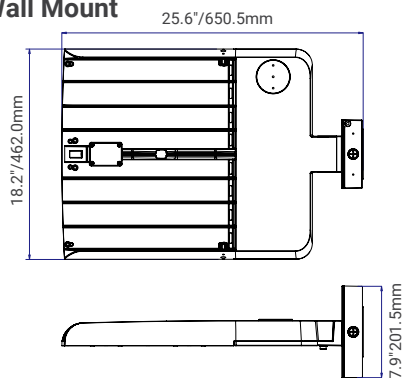
Square & Round Pole Mount



Slipfitter Mount



Wall Mount



Disclaimer:
Due to the rapid pace of technology change in the Lighting industry, the Information and Data presented in this spec sheet is for reference purposes only, please confirm with PARAFLEX at the time of finalizing the order or design. PARAFLEX does not warrant or represent that the information is free from errors or omission. The information may change without notice and PARAFLEX is not in any way liable for the accuracy of any information printed and stored or in any way interpreted or used.

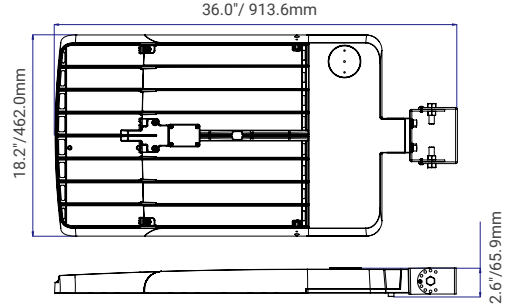
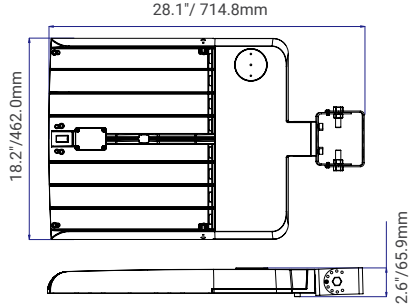
PFX-3731

LED Tennis and Pickleball Light with Selectable Lumen

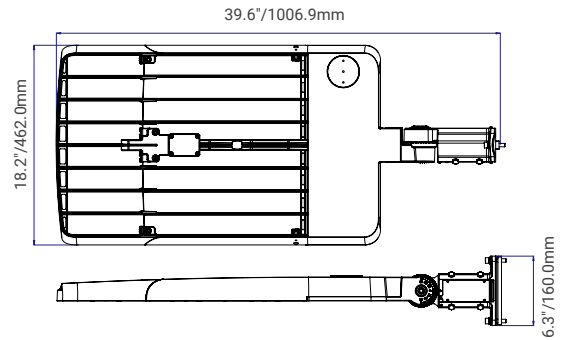
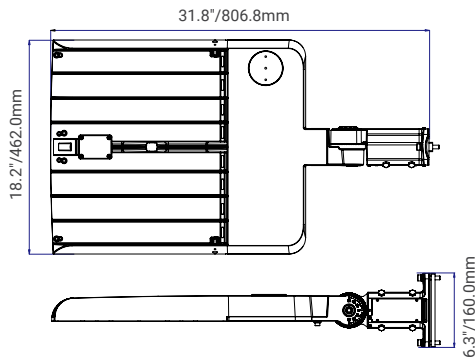


DIMENSIONS

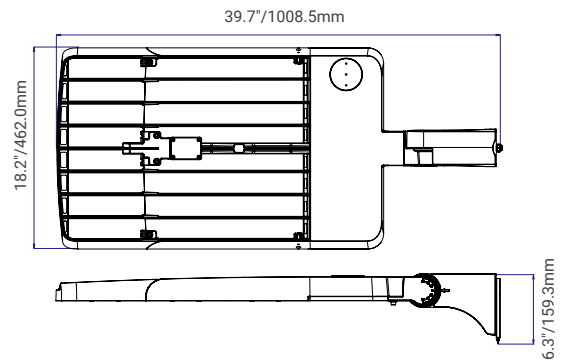
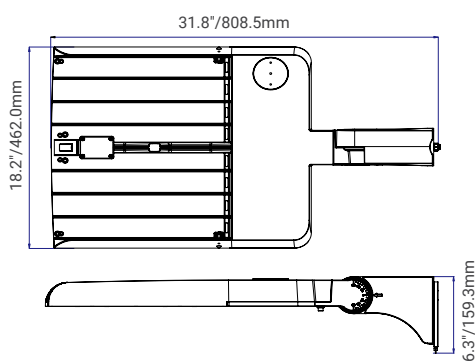
Trunnion Mount



Universal bracket



Adjustable Square & Round Pole Mount



Disclaimer:
Due to the rapid pace of technology change in the Lighting industry, the Information and Data presented in this spec sheet is for reference purposes only, please confirm with PARAFLEX at the time of finalizing the order or design. PARAFLEX does not warrant or represent that the information is free from errors or omission. The information may change without notice and PARAFLEX is not in any way liable for the accuracy of any information printed and stored or in any way interpreted or used.

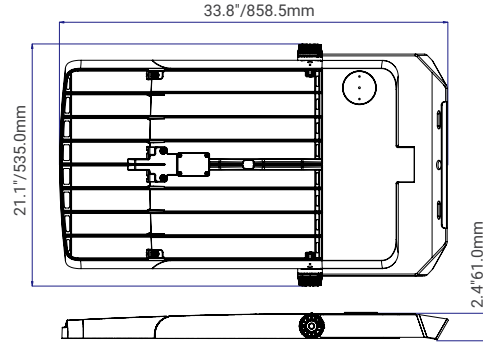
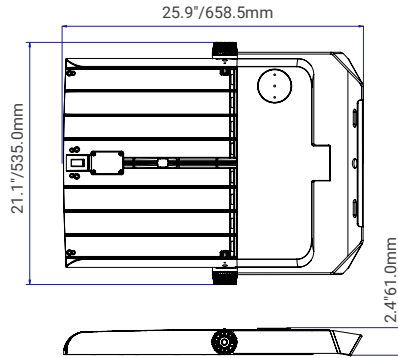
PFX-3731

LED Tennis and Pickleball Light with Selectable Lumen



DIMENSIONS

Yoke Mount



Disclaimer:
Due to the rapid pace of technology change in the Lighting industry, the Information and Data presented in this spec sheet is for reference purposes only, please confirm with PARAFLEX at the time of finalizing the order or design. PARAFLEX does not warrant or represent that the information is free from errors or omission. The information may change without notice and PARAFLEX is not in any way liable for the accuracy of any information printed and stored or in any way interpreted or used.