

# PARAFLEX

*Fast Flexible Focused Lighting*

## SERIES-3500-FLOODS

- PFX-3505
- PFX-3506
- PFX-3507
- PFX-3508
- PFX-3509
- PFX-3510
- PFX-3511



### APPLICATIONS

	Street & Tunnel
	Park
	Gas Station
	Parking
	Industrial Site



PARAFLEX does not warrant or represent that the information is free from errors or omission. The information may change without notice and PARAFLEX is not in any way liable for the accuracy of any information printed and stored or in any way interpreted or used.

**A** 3 Luger Rd. #1 - Denville, NJ 07834

**E** info@paraflex.com

**W** www.paraflex.com

**P** 973-340-6040

## Product Description:



Die-cast aluminum heatsink provides the most ideal heat dissipation, making the fixture cool to the touch.



SFS



SFS



SFS



SF



TR



TR



SF



TR



SF



TR

PFX-3505

PFX-3508/3509

PFX-3506/3507

PFX-3510/3511

PARAFLEX does not warrant or represent that the information is free from errors or omission. The information may change without notice and PARAFLEX is not in any way liable for the accuracy of any information printed and stored or in any way interpreted or used.

## Product Description:

This compact but powerful flood light is a true innovation practically and aesthetically. The upgraded tuning switch allows for easy access to a range of CCTs and wattages based on different environments. Utilizing performance optics and long lasting driver, these landscape flood lights will last for years to come.

Optional Kelvin color\* with adder.

## Features:

### LISTING

- ▶ UL and CUL listed for wet locations

### HOUSING

- ▶ Solid construction die-cast aluminum body

### FINISH

- ▶ UV stabilized powder coated finish

### OPTIONS

- ▶ Optional photocell
  - ▶ Finish - Bronze. Color options with adder
- Build in color adjustable control ranging from 3000K to 5000K

## Performance Data

Model NO.	System Watts	Lumens	Efficacy
PFX-3505	14W	1866 lm**	133 lm/W*
PFX-3506	27W	3677 lm**	136 lm/W*
PFX-3507	47W	6601 lm**	142 lm/W*
PFX-3508	72W	9654 lm**	134 lm/W*
PFX-3509	96W	13479 lm**	141 lm/W*
PFX-3510	145W	20082 lm**	138 lm/W*
PFX-3511	201W	27867 lm**	138 lm/W*

\*Efficacy based on 4000K

## Specification:

Example: PFX-3505

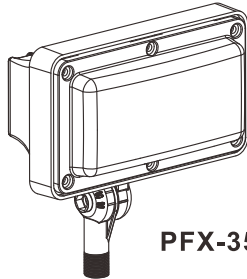
Model No.	System Watts	Input Voltage	CRI	Color Temp	Mounting Option	Option	Finish	Starting Temp
PFX-3505	014=14W	UNV=120-277V	7=70+	TK=5000 K	SF=Slip Fitter	PC = Photocontrol*	BZ=Bronze	-40°C ~ +40°C
PFX-3506	027=27W			TK=4000 K	TR=Trunnion	D = Dimmable		
PFX-3507	047=47W			TK=3000 K	SFS=Knuckle	S = 4KV Internal Surge		
PFX-3508	072=72W			*Not applicable to PFX-3505				
PFX-3509	096=96W							
PFX-3510	145=145W							
PFX-3511	201=201W							

\* Different LED Kelvin temperature available with 4-6 week lead time. Please call for a quote.

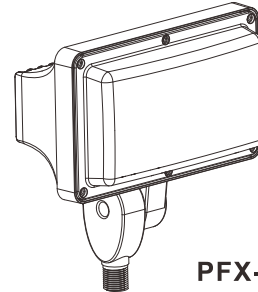
\*\* DISCLAIMER: This test report was produced in accordance with IES LM-79 photometric testing protocol for luminaires, using a single representative test fixture. Actual production units may vary from the values reported here by up to ±10%.

PARAFLEX does not warrant or represent that the information is free from errors or omission. The information may change without notice and PARAFLEX is not in any way liable for the accuracy of any information printed and stored or in any way interpreted or used.

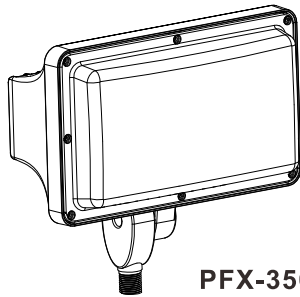
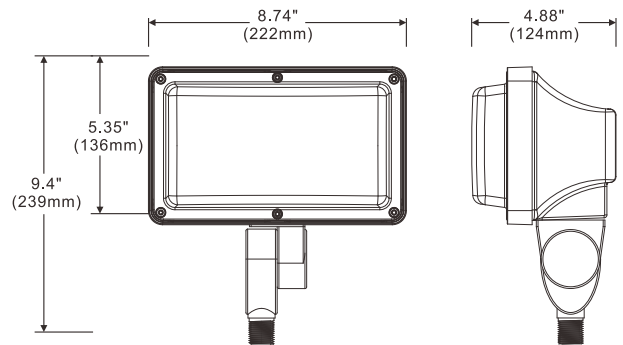
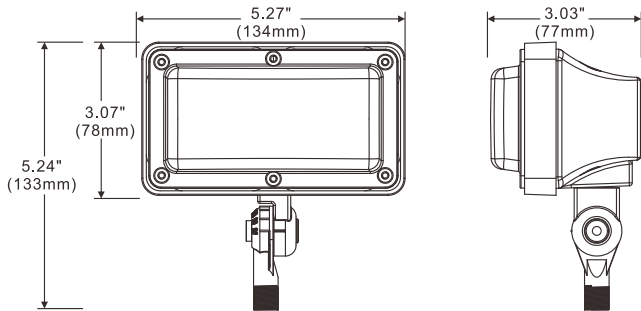
## Dimension:



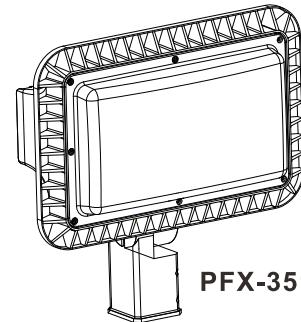
**PFX-3505**



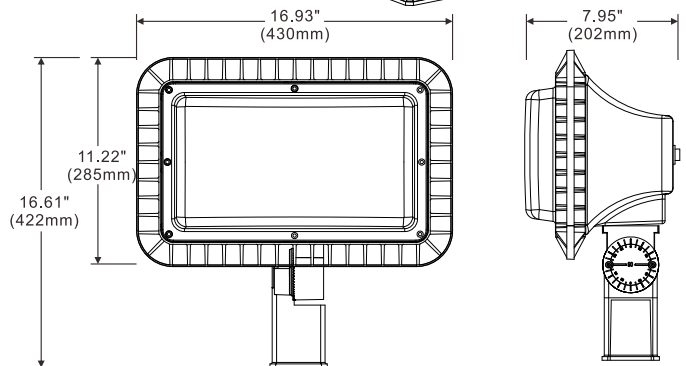
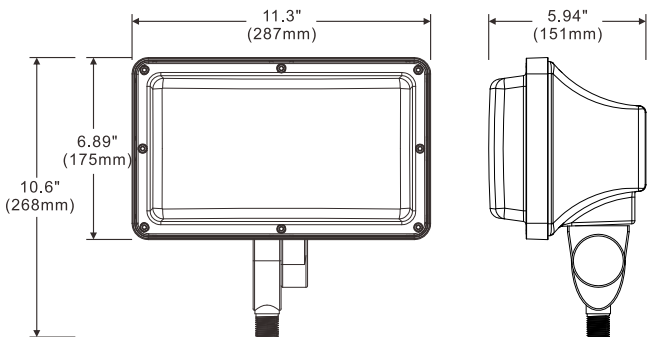
**PFX-3508/3509**



**PFX-3506/3507**



**PFX-3510/3511**



PARAFLEX does not warrant or represent that the information is free from errors or omission. The information may change without notice and PARAFLEX is not in any way liable for the accuracy of any information printed and stored or in any way interpreted or used.