

PROJECT

DATE

TYPE

NOTES

## DESCRIPTION

The square straight steel poles are designed for top or side mounted luminaries, with a new universal drill pattern on all four sides of the pole. Polycarbonate black plugs are included to cover all unused holes (12 total). These poles are stocked in 17', 20', 25' and 30' lengths in a galvanized bronze finish. Pole includes pole cap, base plate cover, hand-hole cover, anchor bolts, anchor bolt template and pole plugs.

## CONSTRUCTION

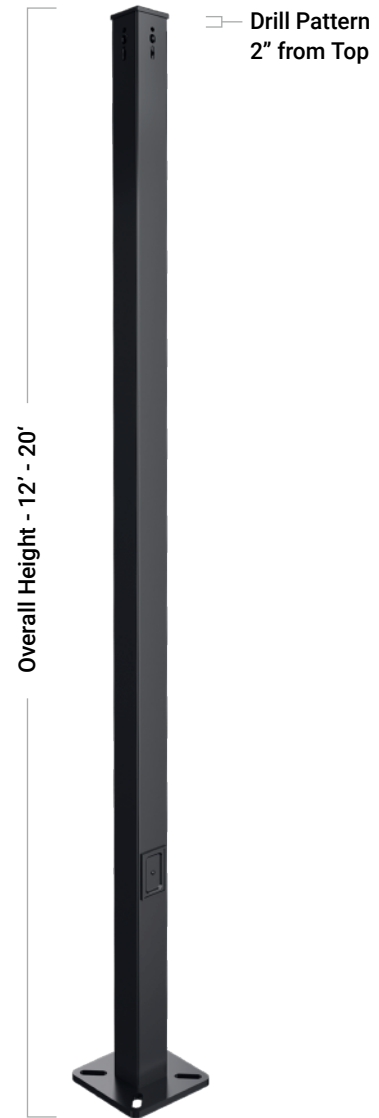
- Galvanized steel exceeds ASTM A500 Grade C (IS 2062 E350) with minimum yield strength of 50,000 PSI
- Corrosion resistant and durable bronze finish
  - Hot dip galvanized (3 mil min) base coat with TGIC-free polyester powder coat finish (3 mil min), meets 1000 hour salt fog rating per ASTM B117 and 1000 hour QUV accelerated weathering per ASTM G154
- Base plates constructed of high strength ASTM A36 steel with 36,000 PSI minimum yield strength
- Galvanized high strength ASTM A55 anchor bolts (set of 4) with 55,000 PSI minimum yield strength
- Pre-drilled universal hole pattern on all four sides for flexible luminaire attachment (accommodates 2"-3" on-center hole patterns)

## INSTALLATION

- Pole includes spring-loaded polycarbonate pole cap, easily secured 2-piece base plate cover, cold rolled carbon steel hand hole cover with ground screw, anchor bolts and bolt circle template
- 12 Plugs provided to seal unused drill holes at top of pole

## WARRANTY

- 1 Year limited warranty

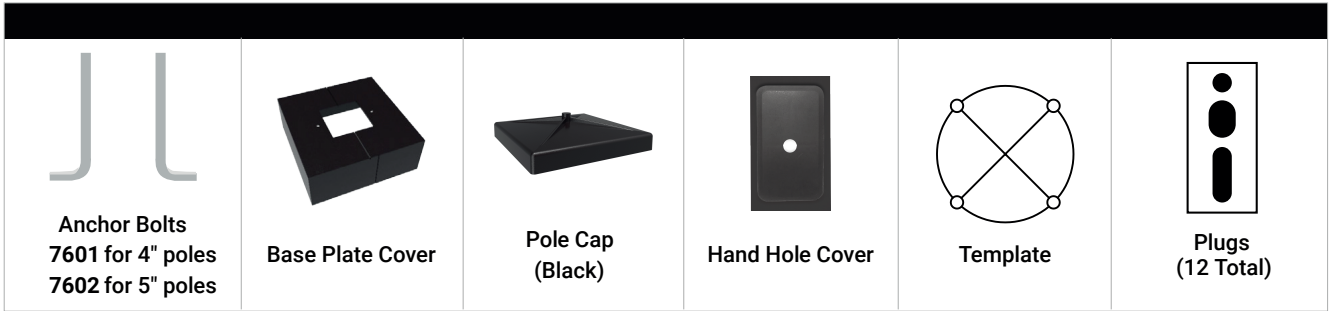


## ORDERING INFORMATION & SPECS AT A GLANCE

Catalog Number	Height	Nominal Shaft Dimensions	Wall Thickness	Bolt Circle	Bolt Circle (Range)	Bolt Square (Range)	Base Plate Square	Anchor Bolt Size	Bolt Projection	Pole Weight
9101	12 ft.	4"	0.119"	9"	8" - 11"	5.66" - 7.78"	10.5"	3/4"x 30"x 4"	3.5"	103 lbs
9102	17 ft.	4"	0.119"	9"	8" - 11"	5.66" - 7.78"	10.5"	3/4"x 30"x 4"	3.5"	139 lbs
9103	20 ft.	4"	0.119"	9"	8" - 11"	5.66" - 7.78"	10.5"	3/4"x 30"x 4"	3.5"	157 lbs

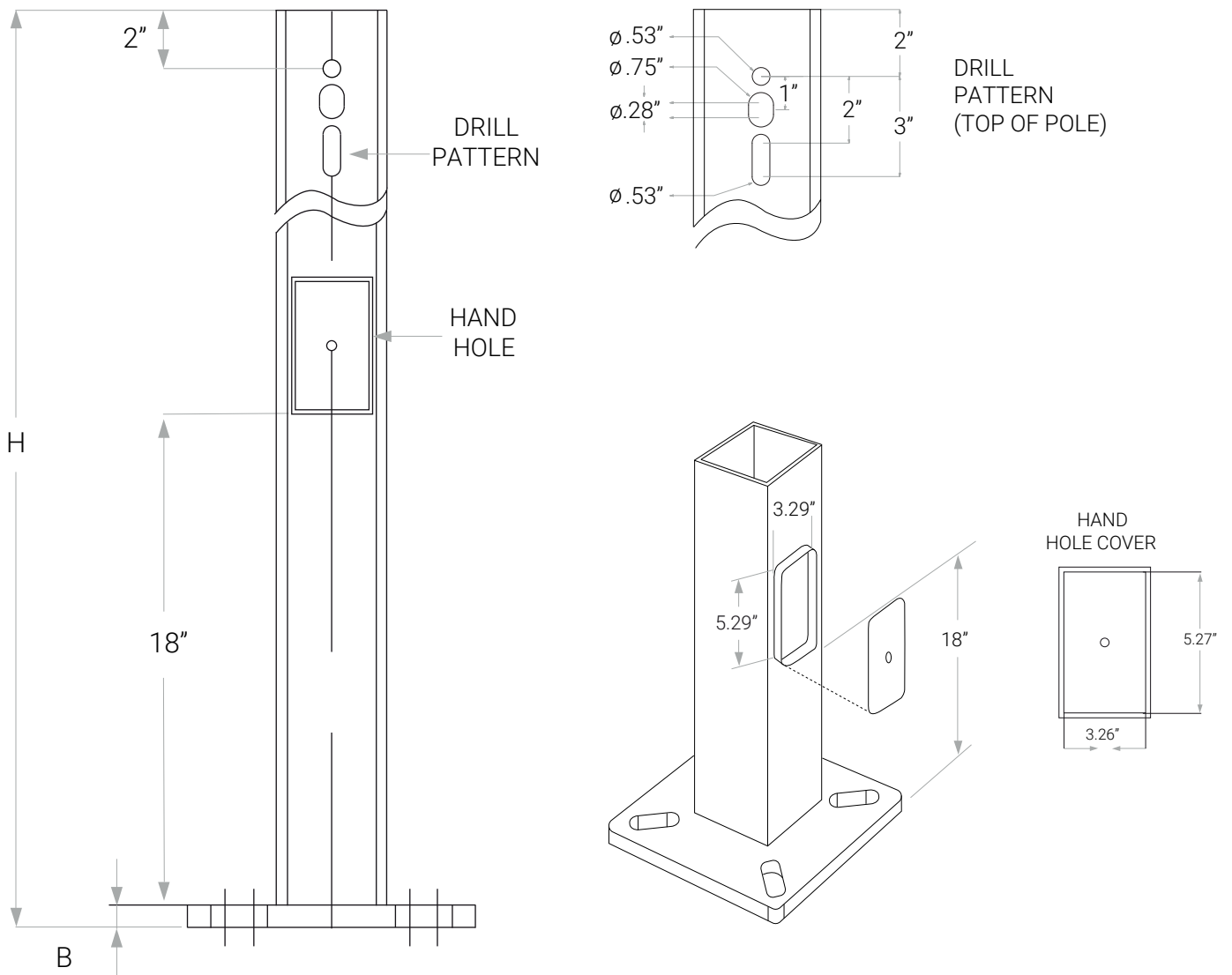
Anchor bolts : 7601 - Set of 4, 3/4"x 30" (included with 4" pole)  
7602 - Set of 4, 1"x 36" (included with 5" pole)

**Included Accessories**

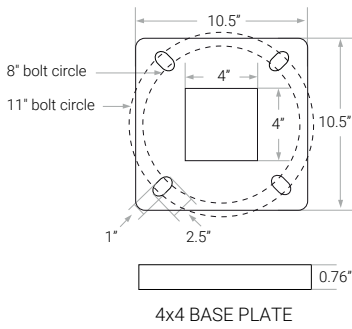


**Dimensions**

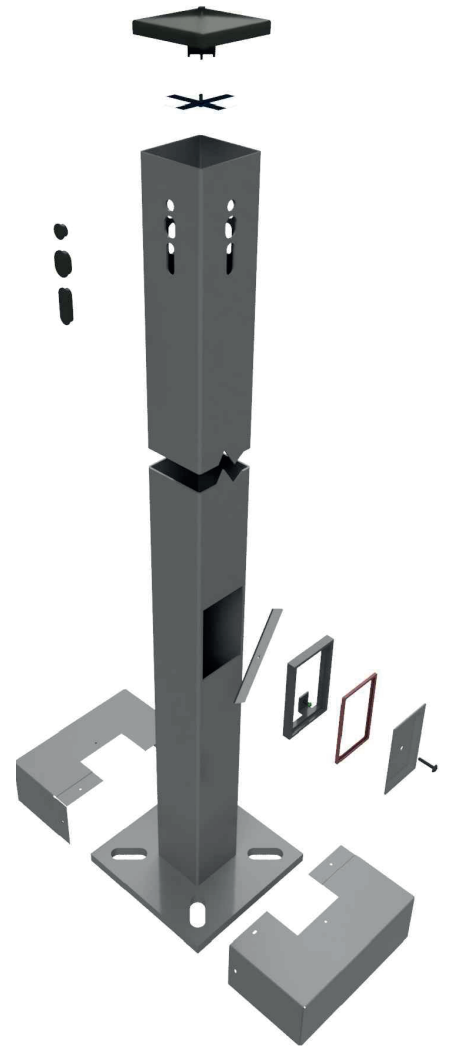
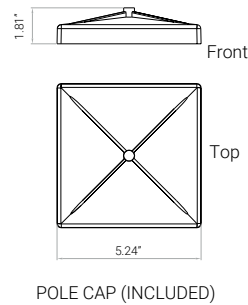
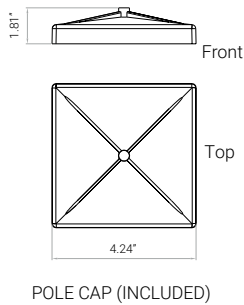
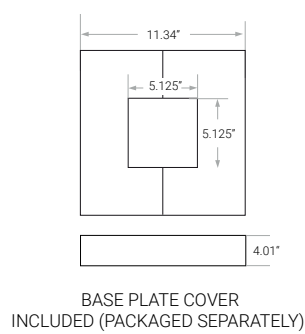
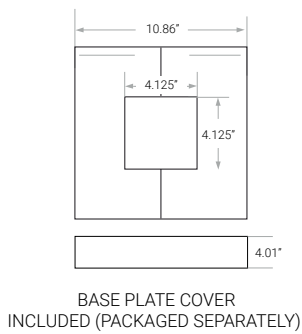
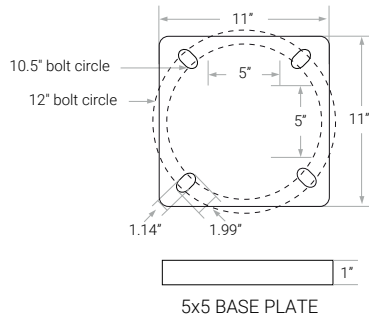
H	B
15'-25'	0.75"
30'	1"



## 4" x 4" Pole Shaft

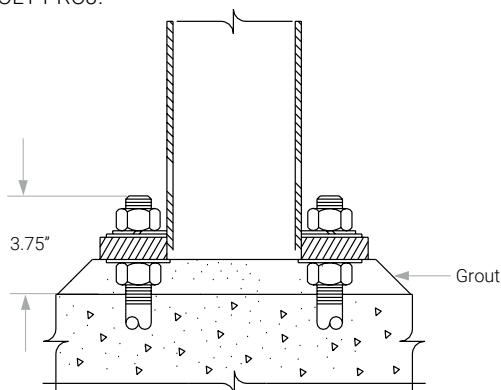


## 5" x 5" Pole Shaft

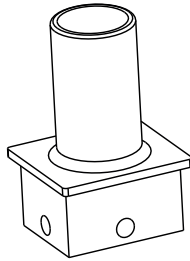


## Anchor Bolts

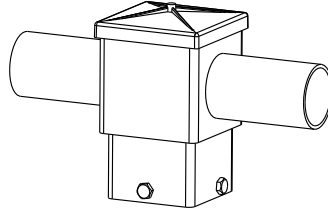
BOLT PROJ.



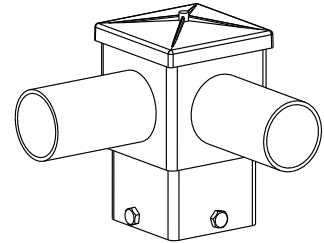
**Mounting Accessories (sold separately):**



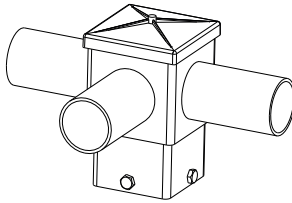
SINGLE SQUARE  
VERTICAL TENON  
**(PN: 7713)**



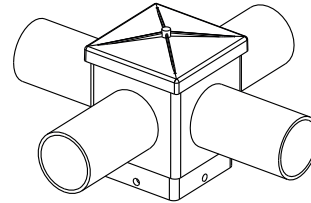
180° TWIN SQUARE  
HORIZONTAL TENON  
**(PN: 7707)**



90 DEGREE TWIN  
SQUARE TENON  
**(PN: 7705 & 7706)**

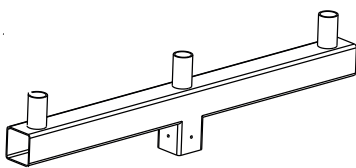


90 DEGREE TRIPLE  
HORIZONTAL TENON  
**(PN: 7708)**

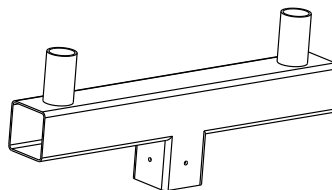


90 DEGREE QUAD SQUARE  
HORIZONTAL TENON  
**(PN: 7709 & 7710)**

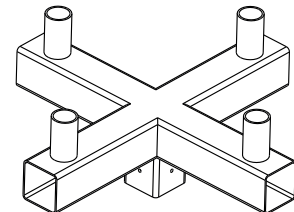
**Direct fitment to pole**



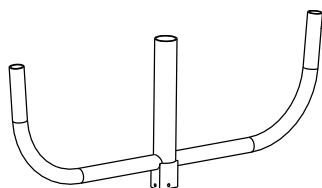
TRIPLE IN-LINE TENON (30")  
**(PN: 7703 & 7704)**



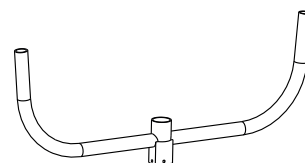
TWIN SQUARE TENON  
**(PN: 7701 & 7702)**



QUAD SQUARE TENON  
**(PN: 7711 & 7712)**

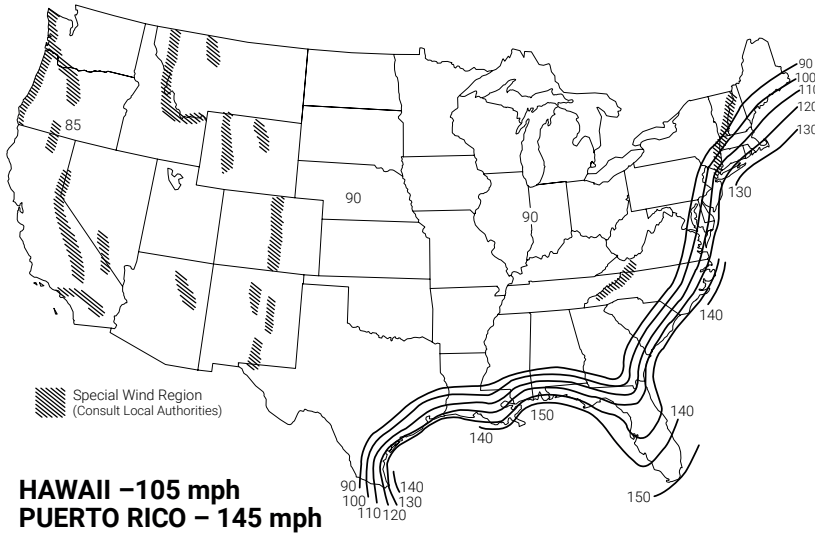


180 DEGREE TRIPLE BULLHORN TENON  
**(PN: 7703 & 7704)**

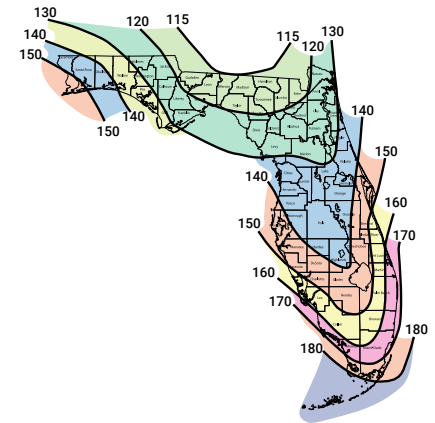


180 DEGREE DOUBLE BULLHORN TENON  
**(PN: 7701 & 7702)**

**ASCE7-05 WIND MAP**



**FLORIDA REGION WIND MAP**



Florida region wind map above is based upon 3-second gust winds and the 2017 Florida Building Code

**Allowable Wind Loading (AASHTO LRFDLTS-1)**

Catalog Number	Mounting Height (ft)	Allowable Wind Loading (AASHTO LRFDLTS-1)						Anchor Bolt	
		90 mph	100 mph	110 mph	120 mph	130 mph	150 mph	Diameter (in)	Length (in)
		EPA (ft <sup>2</sup> )	EPA (ft <sup>2</sup> )	EPA (ft <sup>2</sup> )	EPA (ft <sup>2</sup> )	EPA (ft <sup>2</sup> )	EPA (ft <sup>2</sup> )		
9102	17	12.0	12.0	9.9	7.6	5.9	3.3	0.75	30
9103	20	12.0	9.1	6.7	4.8	3.4	1.3	0.75	30

- Applications: Lighting installations for side and top mounting of luminaires with an effective projected area (EPA) not exceeding maximum allowable loading of the specified pole in its installed geographic location.
- Allowable EPA, to determine max pole loading weight, multiply allowable EPA by 30 lbs.
- The Wind Maps are intended only as a general guide. Always consult local authorities to determine maximum wind velocities, gusting and unique wind conditions for each specific application.
- Allowable pole EPA for jobsite wind conditions must be equal to or greater than the total EPA for fixtures, arms, and accessories to be assembled to the pole. The responsibility lies with the specifier for correct pole selection. Installation of poles without luminaires or attachment of any unauthorized accessories to poles is discouraged and shall void the manufacturer's warranty.
- Wind speeds and listed EPAs are for ground-mounted installations. Poles mounted on structures (such as bridges and buildings) must consider vibration and coefficient of height factors beyond this general guide; Consult local and federal standards.
- Wind induced vibration brought on by steady, unidirectional winds and other unpredictable aerodynamic forces are not included in wind velocity ratings.
- Extreme wind events like hurricanes, typhoons, cyclones, or tornadoes may expose poles to flying debris, wind shear or other detrimental effects not included in wind velocity ratings. Due to our continued efforts to improve our products, product specifications are subject to change without notice.
- Factory supplied template must be used when setting anchor bolts. Paraflex will deny any warranty claim for incorrect anchorage placement resulting from failure to use factory supplied template and anchor bolts.
- For the diameter and depth of concrete pads for anchor bolts, please consult a qualified engineer.