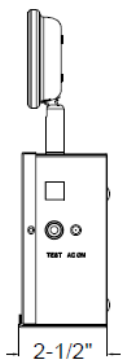
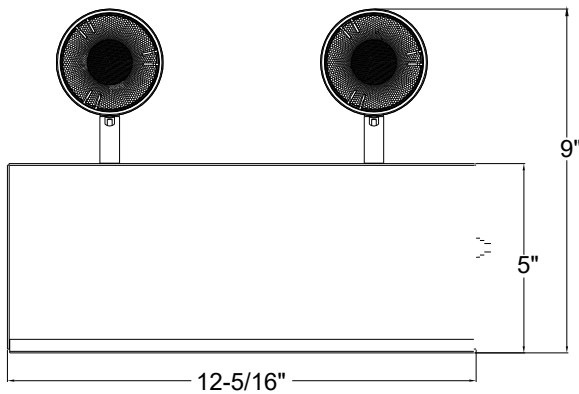


# PFX-5552

CHICAGO APPROVED STEEL LED EMERGENCY UNIT



## DIMENSIONS



## ILLUMINATION

- Two, 6V adjustable white LED lamp heads in metal housing and PC lens provide optimal light distribution.
- 3.3W (3 LEDs x 1.1W) per head with a light output of 335 lumens.

## ELECTRICAL

- Dual 120/277 voltage.
- Unique bi-color LED indicator light alerts occupant on battery condition (Green-normal, Red-check battery).
- Charge rate/power "ON" LED indicator light and push-to-test switch for mandated code compliance testing.
- LVD (low voltage disconnect) prevents battery from deep discharge.
- 6V sealed lead acid, maintenance-free, rechargeable battery.
- Internal solid-state transfer switch automatically connects the internal battery to the LED lamp heads for minimum minute emergency illumination.
- Fully automatic solid-state, two rate charger initiates battery charging to recharge a discharged battery in 24 hours.
- Remote capacity of 5.4W standard.

## MOUNTING

- Knockouts on the back for wall mount.
- Side and top knockouts for conduit feed applications.

## HOUSING

- Durable 20-gauge steel construction.
- White or black finish.

## WARRANTY/LISTING

- Five year warranty on all electronics and housing. Battery pro rated for two years.
- UL Listed for damp locations (20°C – 50°C).
- Meets UL924, NFPA 101 Life Safety Code, NEC, OSHA, Local and State Codes.
- Meets City of Chicago requirements.

## ORDERING INFORMATION

Sample Part Number: **PFX-5552-CAEM-W**

MODEL	HOUSING COLOR	
PFX-5552-CAEM	W	White
	B	Black

**Disclaimer:**

Due to the rapid pace of technology change in the Lighting industry, the Information and Data presented in this spec sheet is for reference purposes only, please confirm with PARAFLEX at the time of finalizing the order or design. PARAFLEX does not warrant or represent that the information is free from errors or omission. The information may change without notice and PARAFLEX is not in any way liable for the accuracy of any information printed and stored or in any way interpreted or used.

# PFX-5552

CHICAGO APPROVED STEEL LED EMERGENCY UNIT



## ELECTRICAL INFORMATION

CATALOG NUMBER	INPUT WATTS (W)		INPUT AMPS (A)	
	120V	277V	120V	277V
PFX-5552-CAEM	8.4	9.4	0.08A	0.04A

## REMOTE LAMP COMPATIBILITY

MODEL NUMBER	BATTERY	REMOTE CAPACITY	COMPATIBLE REMOTE HEAD FAMILY				
			RHLED	RH16LED	SRH		SRHLED
					6V	12V	
PFX-5552-CAEM	6V	5.4W	X	X	X		X

**Disclaimer:**  
Due to the rapid pace of technology change in the Lighting industry, the Information and Data presented in this spec sheet is for reference purposes only, please confirm with PARAFLEX at the time of finalizing the order or design. PARAFLEX does not warrant or represent that the information is free from errors or omission. The information may change without notice and PARAFLEX is not in any way liable for the accuracy of any information printed and stored or in any way interpreted or used.