

# PFX-3151

LED Wall Scone - WS01 Series



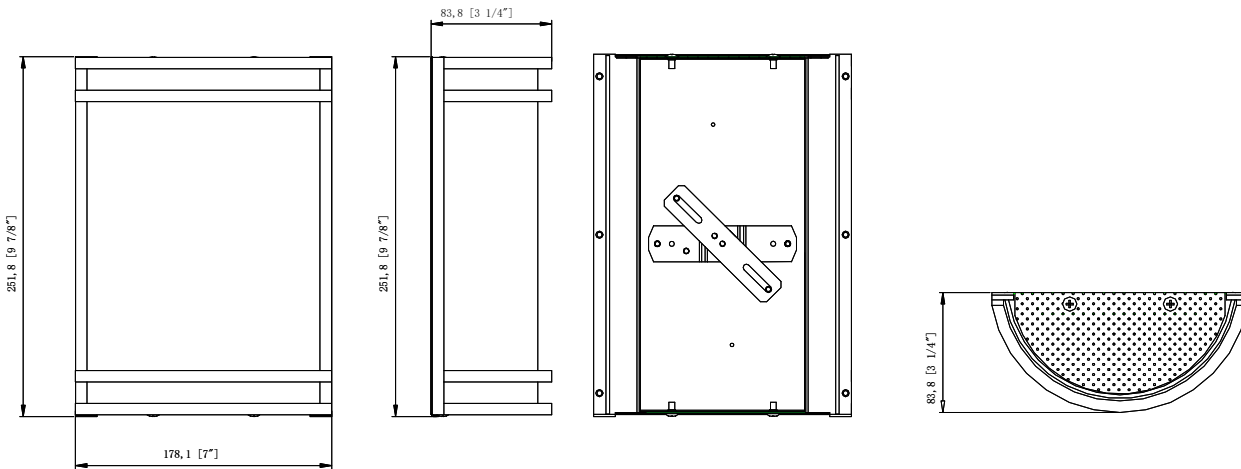
## Description

This Energy Saving LED wall scone light fixture is maintenance free using integrated LED modules. It has a sleek, modern and contemporary design that allows you to have a stylish look with efficient lighting. Durable metal construction is built for long product life and opal acrylic shade creates a beautiful glow when illuminated.

## Features

- Damp Location rated
- 5-year limited warranty
- Comes in 10"
- CCT Selectable by dip switch: 3000K, 4000K and 5000K
- Has smooth dimming capabilities ranging from 10% to 100%
- Quick and easy Installation. Can be installed both vertically and horizontally

## DIMENSION (INCHES)



## SPECIFICATIONS

## PFX-3151-WS01-15WCCT-NK

| Paraflex part number I#  | Size | Wattage | CCT Selectable          | Lumens | Input Voltage | CRI | Dim                      | Finished Housing Color               |
|--------------------------|------|---------|-------------------------|--------|---------------|-----|--------------------------|--------------------------------------|
| PFX-3151-WS01-15WCCT-NK" | 10"  | 15W     | 3000K<br>4000K<br>5000K | 1050LM | 120V          | 80+ | Triac Dimming (10%-100%) | Brushed Nackle Steel<br>Acrylic Lens |

Note: Includes a pre-installed dusk-to-dawn light photocell sensor

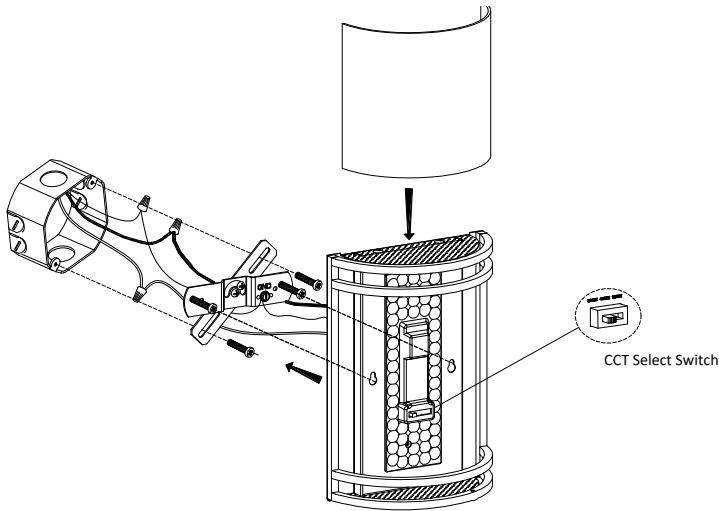
**Disclaimer:**  
Due to the rapid pace of technology change in the Lighting industry, the Information and Data presented in this spec sheet is for reference purposes only, please confirm with PARAFLEX at the time of finalizing the order or design. PARAFLEX does not warrant or represent that the information is free from errors or omission. The information may change without notice and PARAFLEX is not in any way liable for the accuracy of any information printed and stored or in any way interpreted or used.

# PFX-3151

LED Cylinder Up and Down Wall Light



## Installation



## Application



Application: bedroom, hallway, living room, kitchen or any other residential and commercial applications

**Disclaimer:**  
Due to the rapid pace of technology change in the Lighting industry, the Information and Data presented in this spec sheet is for reference purposes only, please confirm with PARAFLEX at the time of finalizing the order or design. PARAFLEX does not warrant or represent that the information is free from errors or omission. The information may change without notice and PARAFLEX is not in any way liable for the accuracy of any information printed and stored or in any way interpreted or used.