

PARAFLEX

Fast Flexible Focused Lighting

SERIES-3400-BOLLARDS

PFX-3407

PFX-3408



PFX-3408



PFX-3407

PARAFLEX does not warrant or represent that the information is free from errors or omission. The information may change without notice and PARAFLEX is not in any way liable for the accuracy of any information printed and stored or in any way interpreted or used.

A 3 Luger Rd. #1 - Denville, NJ 07834

E info@paraflex.com

W www.paraflex.com

P 973-340-6040

 *Fast Flexible Focused Lighting*

Product Description:

Extruded aluminum tube provides strength and durability as well as protects and conceals the component wiring

Terminal block provided on base bracket for easy installation of incoming supply wires



3 Wattage selectable exclusive for PFX-3408

Quick disconnect located near the terminal block for simple connection to the LED driver.



Versatile mounting plate allows for easy installation and replacement for any project or development



LED compartment is airtight to prevent fogging and condensation build up and keep water out

Aluminum reflector designed to reduce glare and produce an even distribution

Clear UV resistant polycarbonate lens allows for optimal light transmission and protects the light engine compartment from harsh environments

Driver is mounted under the LED compartment for easy replacement and to protect from water that may accumulate in the base of the bollard. Torx security screws secure the LED compartment to the base to deter vandalism



PFX-3407



PFX-3408

Product Description:

This attractive, newly redesigned heavy-duty bollard features full proof aluminum construction housing, providing corrosion and vandal resistance ideal for lighting pedestrian walkways, as well as accenting the exterior grounds of office and apartment buildings, hotel and parks. A solid foundation withstands the elements, driver options work in even the worst weather conditions.

Features:

LISTING

UL and CUL listed for wet locations

HOUSING

Consisting of an extruded aluminium alloy body Standard 4kV Surge

FINISH

UV stabilized powder coated finish

LENS

High-impact polycarbonate diffuser

OPTIONS

Anodized aluminum reflector

Finish - Bronze

PARAFLEX does not warrant or represent that the information is free from errors or omission. The information may change without notice and PARAFLEX is not in any way liable for the accuracy of any information printed and stored or in any way interpreted or used.

Performance Data

Model NO.	Nominal Watts**	Dist. Type	Lumens**	Efficacy**	B	U	G
PFX-3407	20 W	Type V	2456 lm	129 lm/W	1	3	2
	30 W	Type V	3410 lm	116 lm/W	1	3	2
	10/15/20W	Type V	2456 lm	129 lm/W	1	3	2
PFX-3408	20 W	Type V	706 lm	37 lm/W	1	3	2
	30 W	Type V	1231 lm	42 lm/W	1	3	2

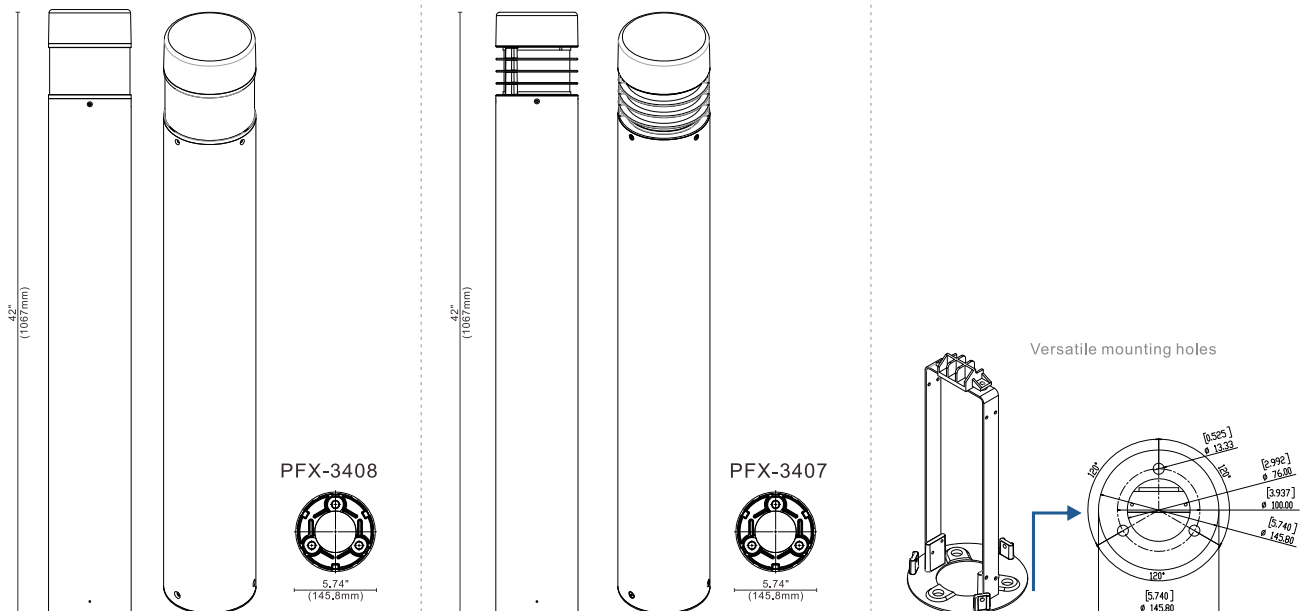
**Lumen and Efficacy are based on highest wattage 5000K

Specification:

Example: PFX-3407

Model No.	Nominal Watts**	Input Voltage	CRI			
PFX-3407	020=20W	UNV=120-277V	7=70+	30=3000 K	Bronze	-40°C
PFX-3408	030=30W			40=4000 K		
				50=5000 K		

Dimension:



* Different LED Kelvin temperature available with 4-6 week lead time. Please call for a quote.
 ** DISCLAIMER: This test report was produced in accordance with IES LM-79 photometric testing protocol for luminaires, using a single representative test fixture. Actual production units may vary from the values reported here by up to ±10%.

PARAFLEX does not warrant or represent that the information is free from errors or omission. The information may change without notice and PARAFLEX is not in any way liable for the accuracy of any information printed and stored or in any way interpreted or used.