

PFX-3161

Amber LED Cylinder Light for Turtle Safe



INTRODUCTION

- The PFX-3161 is specifically designed for Turtle Safe compliance, emitting amber light with a wavelength of 590 nanometers. While meeting pedestrians' nighttime lighting requirements, it minimizes ecological disturbance to marine life.
- This light fixture features versatile adjustable functions, including wattage selectable and adjustable beam direction, allowing users to easily modify settings to suit various environments and lighting requirements.
- With standard photocell, ensuring that you can effortlessly manage lighting conditions while maximizing energy efficiency.
- Low-impact exterior wall lighting ideal for coastal buildings, farm warehouses, residential exteriors, and environmentally sensitive areas.



PRODUCT SPECIFICATION

Construction:

- Heavy-gauge aluminum housing.

Optics:

- Turtle and wildlife friendly 590nm amber light.
- Proprietary optics delivers a true uniform, batwing distribution. Narrow and Wide distribution selectable.

Electrical:

- Equipped with a 0-10V continuous dimmable driver; Min.Dim Level:0%. However, the dimming wires are already occupied and cannot be used for external dimmer control.
- Input voltage is 120-277VAC, 50/60Hz.

Finish:

- Dark bronze color is standard.optional color White and Black are available.

Mounting:

- Wall mount is suitable for indoor or outdoor applications and easy to modify.

Ambient Temperature:

- 40°F (-40°C)to 122°F (50°C)

Compliances:

- cULus listed for wet locations.

Warranty:

- 5-year limited warranty.

ORDERING GUIDE Example: PFX-3161-20WSAMBLVDC

Model	Wattage Selectable	LED Color YYY	Input Voltage AA	Finish YY
PFX-3161	20WS 20W/16W/10W	AMB Amber 590nm	LV 120-277VAC	DC DarkBronze(standard)
	38WS 38W/31W/19W Note: WS=Wattages Selectable			Optional BC Black WC White

Disclaimer:

Due to the rapid pace of technology change in the Lighting industry, the Information and Data presented in this spec sheet is for reference purposes only, please confirm with PARAFLEX at the time of finalizing the order or design. PARAFLEX does not warrant or represent that the information is free from errors or omission. The information may change without notice and PARAFLEX is not in any way liable for the accuracy of any information printed and stored or in any way interpreted or used.

PFX-3161

Amber LED Cylinder Light for Turtle Safe

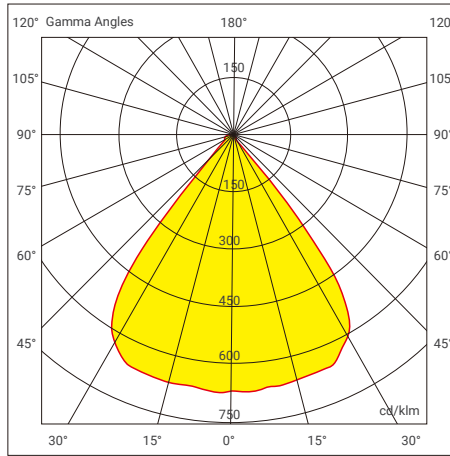


PERFORMANCE DATA

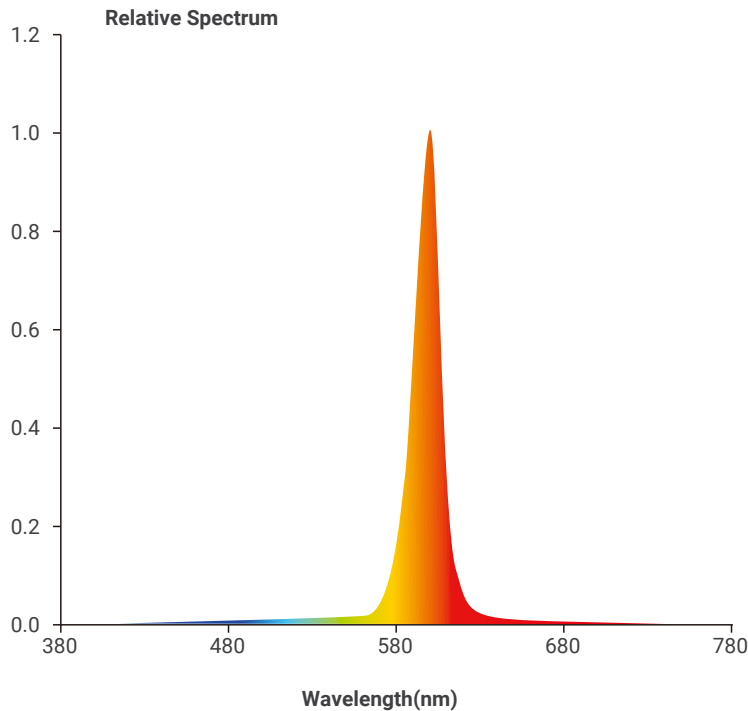
Model	Wattage	Lumen	LED Color	Input voltage
PFX-3161-20WSAMBLVYY	20/16/10W	Max.750lm	Amber 590nm	120-277VAC 50/60Hz
PFX-3161-38WSAMBLVYY	38/31/19W	Max.1,400lm		

Note: When adjusted to only single-sided lighting, the power is halved.

PHOTOMETRICS



SPECTRAL CHART



Disclaimer:
Due to the rapid pace of technology change in the Lighting industry, the Information and Data presented in this spec sheet is for reference purposes only, please confirm with PARAFLEX at the time of finalizing the order or design. PARAFLEX does not warrant or represent that the information is free from errors or omission. The information may change without notice and PARAFLEX is not in any way liable for the accuracy of any information printed and stored or in any way interpreted or used.

PFX-3161

Amber LED Cylinder Light for Turtle Safe



ELECTRICAL DATA

Model Series	Wattage(W)	Current (A)			
		Input Voltage (V)			
		120	208	240	277
PFX-3161	10	0.09	0.06	0.05	0.04
	16	0.15	0.09	0.07	0.06
	20	0.19	0.11	0.09	0.08
	19	0.18	0.11	0.09	0.08
	31	0.29	0.17	0.14	0.12
	38	0.35	0.21	0.18	0.15

VERSATILE SELECTION CAPABILITY

L1

L2

L3

Up

Full

Down

Power Setting

Product Size	Power Selection (L1/L2/L3)	Default Setting
Size 1	Adjust power between 20/16/10W	20W default setting
Size 2	Adjust power between 38/31/19W	38W default setting

Direction Setting

Adjust direction among Up/Full/Down, Full light default setting

Note: When adjusted to only single-sided lighting, the power is halved.

ACCESSORIES

Control Options

Comes as standard

PC-B
Photocell-With Sunshade Cover
(Remove the cover cap to enable the photocell function.)

Emergency Battery Backup

Factory-Installable OR Field-Installable
(field-installable purchased separately)

PFX-3161-EMERGENCY Battery Backup
EMY-04150DO-UH-4W/90min, AC 120-277VAC

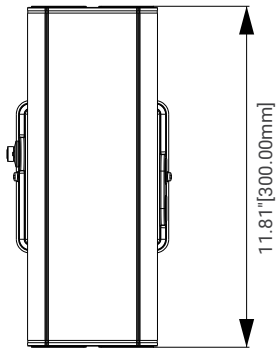
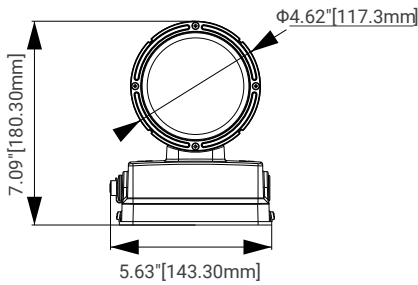
Disclaimer:
Due to the rapid pace of technology change in the Lighting industry, the Information and Data presented in this spec sheet is for reference purposes only, please confirm with PARAFLEX at the time of finalizing the order or design. PARAFLEX does not warrant or represent that the information is free from errors or omission. The information may change without notice and PARAFLEX is not in any way liable for the accuracy of any information printed and stored or in any way interpreted or used.

PFX-3161

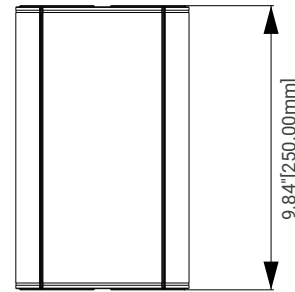
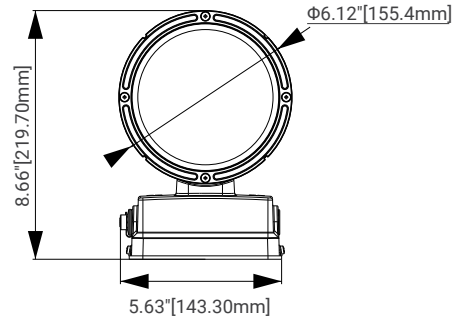
Amber LED Cylinder Light for Turtle Safe



DIMENSIONS



PFX-3153-A-20WS



PFX-3153-A-38WS

SHIPPING INFORMATION

Model	Carton Size (in)	G.W. (lbs)	Per carton (pcs)	20GP (pcs)	40HQ (pcs)
PFX-3161-20WS	26.77 x 13.78 x 8.86	20.90	4	1,752	4,820
PFX-3161-38WS	32.76 x 11.81 x 10.43	27.03	4	1,408	3,880

Note: The packaging data can some mes be outdated or incomplete. For the most reliable information, please reach out to us directly.

Disclaimer:

Due to the rapid pace of technology change in the Lighting industry, the Information and Data presented in this spec sheet is for reference purposes only, please confirm with PARAFLEX at the time of finalizing the order or design. PARAFLEX does not warrant or represent that the information is free from errors or omission. The information may change without notice and PARAFLEX is not in any way liable for the accuracy of any information printed and stored or in any way interpreted or used.