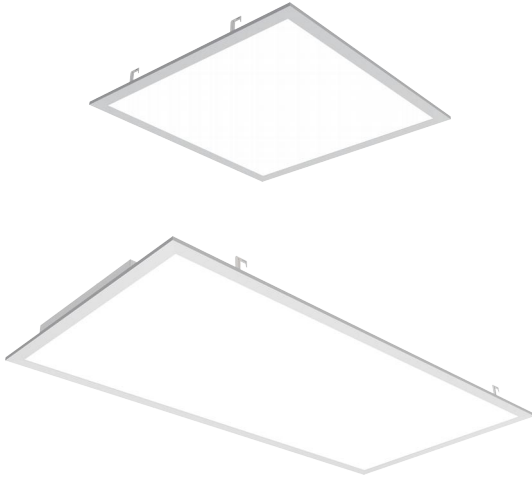


PFX-5120

LED PANEL



FEATURES AND SPECIFICATIONS

Construction

- Integrative aluminum frame provides a durability structure
- Sealed housing, prevents dust and without light leak
- 5 Wattage and 5 CCT selectable switches are integrated on the driver
- Minimize Stock, 1SKU can cover Max. of 25 Models

Electrical

- Input Voltage: 100-277Vac 50/60Hz
- 0-10V dimmable, Triac dimming, Can be dimmed down to 1%.
- THD^o10%, PF> 0.95

Applications

- Offices, retail, schools, restaurants, healthcare, residential, and hospitality applications.

Installation

- Fixture is suitable for recessed mounting with T-bar, and accessories for suspension and surface mounting are also available,
- Use in ambient temperatures ranging from -20° C (-4° F) to 35° C (95° F)

Listing

- ETL listed, suitable for damp location.
- DesignLights Consortium ®(DLC)Premium.

Warranty

- 5-year limited warranty

Specs at a Glance

* Nominal Wattage (Switchable)		
Configuration	PFX-5120-B2-S40-3065	PFX-5120-B4-S72-3065
CCT (K)	3000K-3500K-4000K-5000K-6500K(Switchable)	
Wattage (W)*	20W/25W/30W/ 35W/40W Wattage Adjustable	30W/40W/50W/ 60W/72W Wattage Adjustable
Lumens (lm)	2,500-5,000LM	3,750-9,000LM
Efficacy (LPW)	Up to 130	Up to 130
CRI	≥80	
Input Voltage	100-277VAC, 50/60Hz, 0-10V Dimmable, Triac dimming	
Operating Temp	-20°C to 35°C (-4°F to 95°F)	
Certifications	ETL DLC 5.1 Premium	
Warranty	5 Years	

Ordering information

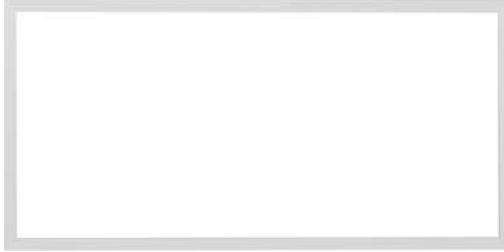
Model	Description
PFX-5120-B2-S40-3065	2' x 2' Backlit Panel, Power Switchable 20W/25W/30W/35W/40W, Color Switchable 3000K/3500K/4000K/5000K/6500K, 100-277VAC
PFX-5120-B4-S72-3065	2' x 4' Backlit Panel, Power Switchable 30W/40W/50W/60W/72W, Color Switchable 3000K/3500K/4000K/5000K/6500K, 100-277VAC

Disclaimer:

Due to the rapid pace of technology change in the Lighting industry, the Information and Data presented in this spec sheet is for reference purposes only, please confirm with PARAFLEX at the time of finalizing the order or design. PARAFLEX does not warrant or represent that the information is free from errors or omission. The information may change without notice and PARAFLEX is not in any way liable for the accuracy of any information printed and stored or in any way interpreted or used.

PFX-5120

LED PANEL

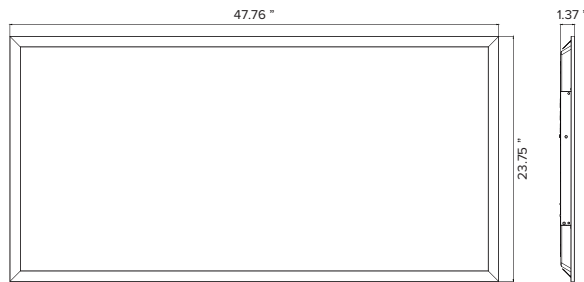
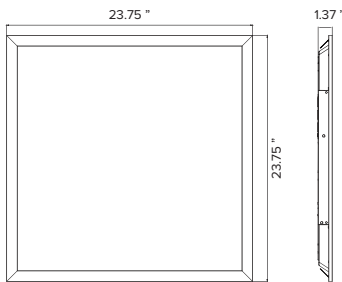


5-in-1 Color Temperature
(3000K 3500K 4000K 5000K 6500K)
5-in-1 Wattage (30 40 50 60 72W)
Hassle-Free Set up
0-10V Dimming, Triac dimming
Support Emergency, Sensor, Bluetooth

5 Wattage and 5 CCT
selectable switches



Dimensions



Accessories



Suspension mounting kits



Emergency Battery Backup



Sensor



Surface mount kit

Disclaimer:
Due to the rapid pace of technology change in the Lighting industry, the Information and Data presented in this spec sheet is for reference purposes only, please confirm with PARAFLEX at the time of finalizing the order or design. PARAFLEX does not warrant or represent that the information is free from errors or omission. The information may change without notice and PARAFLEX is not in any way liable for the accuracy of any information printed and stored or in any way interpreted or used.

PFX-5120

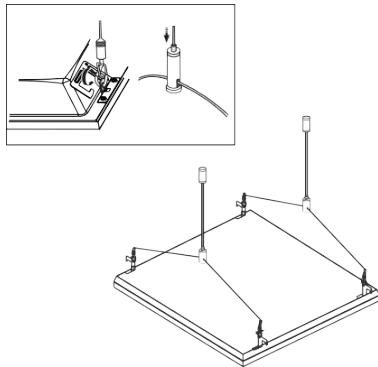
LED PANEL



Flexible Installation Options

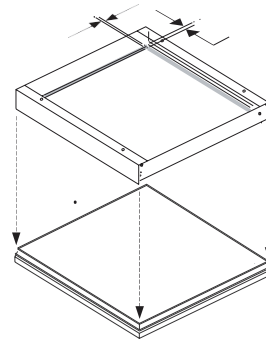
Cable Mount Kit

Optional Y cable mounting kit allows for suspended installations from any ceiling type. (2 pcs/kit)

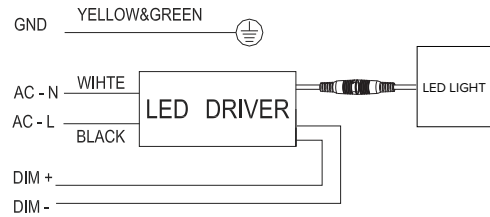
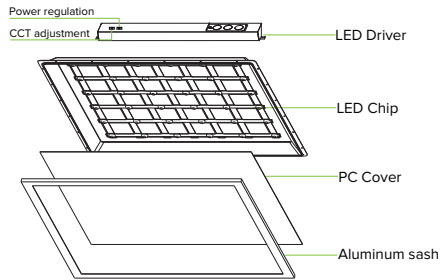


Surface Mount Kit

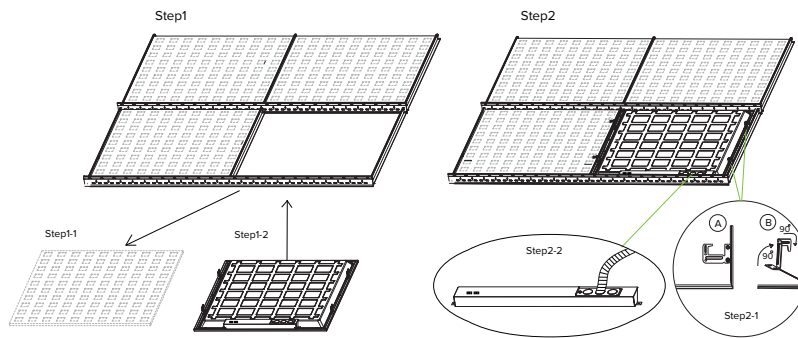
Optional surface mount kit allows for installation on plaster or other hard ceilings.



Wiring Diagram



Installation Instruction



Packing Information

Size/ft	L /inch	W /inch	H /inch	QTY/ctn	G.W./lbs	CTN QTY/pallet
2x2'	25.2	25.2	6.5	4	16.23	144pcs
2x4'	49.2	25.2	6.5	4	39.30	72pcs

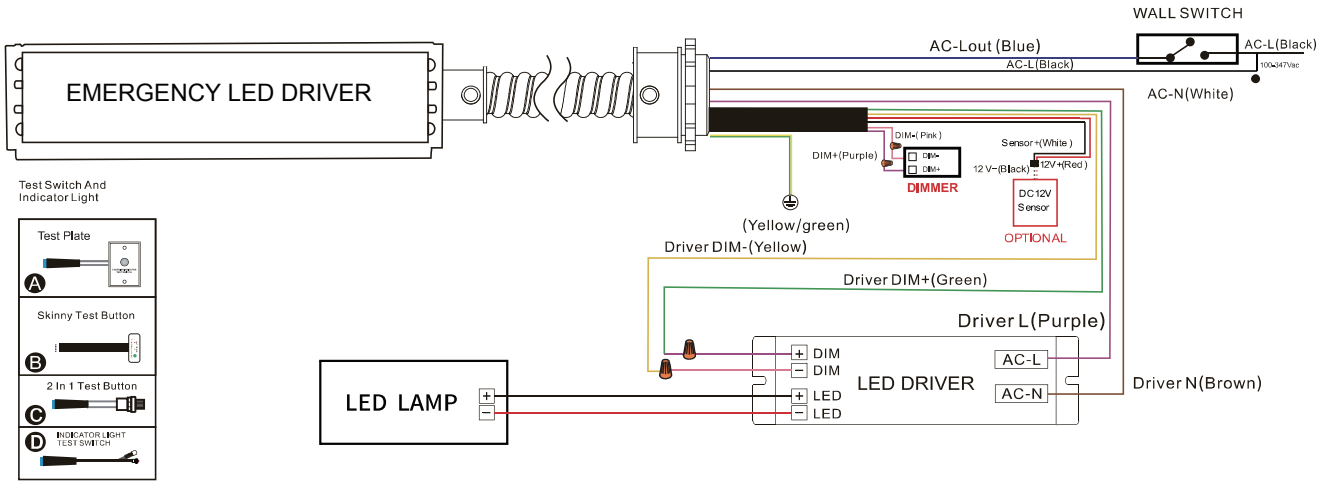
Disclaimer:
Due to the rapid pace of technology change in the Lighting industry, the Information and Data presented in this spec sheet is for reference purposes only, please confirm with PARAFLEX at the time of finalizing the order or design. PARAFLEX does not warrant or represent that the information is free from errors or omission. The information may change without notice and PARAFLEX is not in any way liable for the accuracy of any information printed and stored or in any way interpreted or used.

PFX-5120

LED PANEL



Emergency backup installation



Disclaimer:
Due to the rapid pace of technology change in the Lighting industry, the Information and Data presented in this spec sheet is for reference purposes only, please confirm with PARAFLEX at the time of finalizing the order or design. PARAFLEX does not warrant or represent that the information is free from errors or omission. The information may change without notice and PARAFLEX is not in any way liable for the accuracy of any information printed and stored or in any way interpreted or used.