

PFX-3204

AREA/ STREET LIGHT



IP65

DESCRIPTION

This slick and modern luminaire has been designed to handle any environment. With a beautiful slimline design along with one of the highest lumen performance on the market, this versatile fixture can be used as a flood light or an area light. Including a multitude of mounting options, surge protection devices, IOT photocell capability, and the most technologically advanced LEDs on the market, PFX-3204 is ready to conquer the lighting landscape.

FEATURES

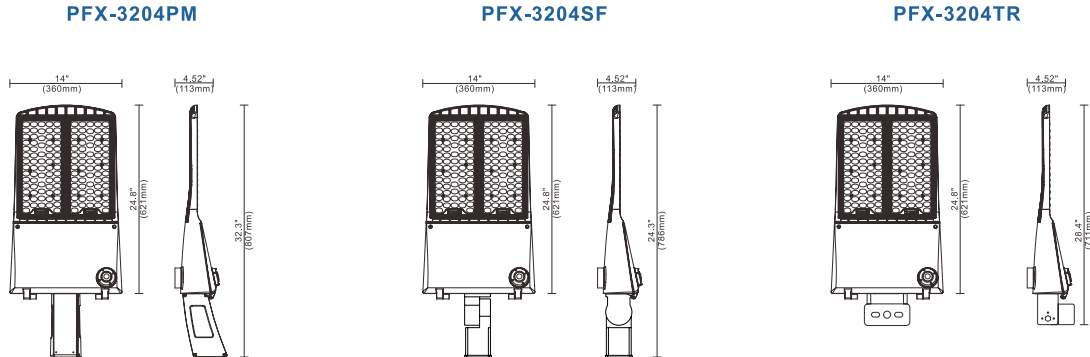
UL and cUL listed for wet locations

One piece die-cast aluminum body with die-cast hinge panel for easy installation access

The most technologically advanced LED chips in the market



DIMENSION (INCHES)



ORDERING GUIDE

SAMPLE PART#: PFX-3204-235-UNV-7-40-T3-XS-PM-BZ

Model No.	Nominal Watts**	Input Voltage	CRI	Color Temp	Distribution	Option		Finish	Starting Temp
						Accessories	Mounting		
PFX-3204	235=235W	UNV=120-277V	7=70+	40=4000 K	T3=Type III	XS=10kv Surge OS=Occupancy Sensor PE=Photocontrol 3R=3-pin Receptacle 5R=5-pin Receptacle 7R=7-pin Receptacle	PM=Pole Mount SF=Slip Fitter U=U Bracket	BZ=Bronze	-40°C
	258=258W	HV4=347-480V		50=5000 K	T4=Type IV				
	255=255W				T5=Type V				

Disclaimer: Due to the rapid pace of technology change in the Lighting industry, the Information and Data presented in this spec sheet is for reference purpose the order or design. PARAFLEX does not warrant or represent that the information is free from errors or omission. The information may change without notice and PARAFLEX is not in any way liable for the accuracy of any information printed and stored or in any way interpreted or used.

PFX-3204

AREA/ STREET LIGHT



IP65

PERFORMANCE DATA

Model No.	Nominal Watts**	Dist. Type	Lumens**	Efficacy**	Input Voltage
PFX-3204	235 W	Type III	39692 lm**	172 lm/W	UNV=120-277V
	258 W	Type III	42696 lm**	164 lm/W	UNV=120-277V
	255 W	Type III	42237 lm**	166 lm/S	HV4=347-480V

ACCESSORIES



Trunion



Slip Fitter



Pole Mount

Disclaimer:
Due to the rapid pace of technology change in the Lighting industry, the Information and Data presented in this spec sheet is for reference purpose the order or design. PARAFLEX does not warrant or represent that the information is free from errors or omission. The information may change without notice and PARAFLEX is not in any way liable for the accuracy of any information printed and stored or in any way interpreted or used.