

PFX-3615

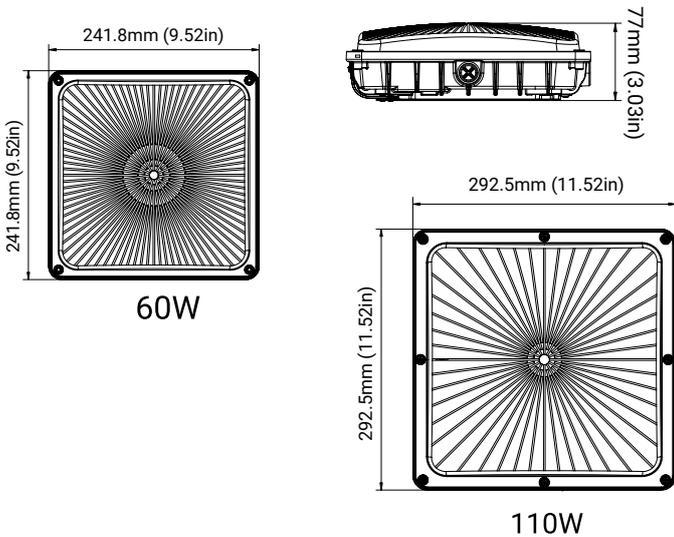
LED CANOPY



DESCRIPTION

PFX-3615, is a cost-effective, energy-saving LED light fixture for surface mount applications in commercial buildings, retail, and educational facilities. Thin design, though, the housing provides excellent heat dissipation which prolongs it's lifespan. The precision-designed optical lens reduces glare, improves optical performance and provides comfortable lighting effects. The PFX-3615 is equipped with an external quick-mounting plate suitable for standard J-BOX mount and also compatible with 3/4" pendant mount, with 1/2" knock-out holes reserved on three sides, suitable for surface conduit wiring installation. 3615 also has high return benefits, it supports 4 lumen package selectable (100%, 80%, 60%, 40%); and Three CCTs selectable (3000K, 4000K, 5000K).

DIMENSION (INCHES)



SPECIFICATION FEATURES

- One-piece die-cast aluminum housing secures the thermally conductive LED panel and electrical chamber.
- Casting thermally conducts LED heat to optimize performance and long life.
- With corrosion-resistant powder coating that provides protection and architectural appearance while adapting well to the environment in the garage.
- Light engines are available in color tunable version, the CCT can be changed to 3000K/4000K/5000K.
- Scalable Lumen Packages from 3,700 to 16,500 Lumens.
- Anti-UV prismatic translucent lens is designed to shape the light distribution and uniformity.

ORDERING GUIDE

Example: PFX-3615-60W-27V-DDK-D-P-M-B-S-AD

Fixture Type	Wattage	Voltage	CCT	Finish	Photocell (Option)	Sensor (Option)	Emergency Battery (Option)	Surge Protector (Option)	CCT and Power Adjustable
<input type="checkbox"/>	<input type="checkbox"/>	<input type="checkbox"/>	<input type="checkbox"/>	<input type="checkbox"/>	<input type="checkbox"/>	<input type="checkbox"/>	<input type="checkbox"/>	<input type="checkbox"/>	<input type="checkbox"/>
PFX-3615 Canopy Series	60W 110W	27V 120-277V 34V 120-347V	DDK ¹ Adjustable color temperature	D Dark Bronze (Standard) B ³ Black W ³ White	P With Photocell Blank Without Photocell	M With Sensor Blank Without Sensor	B ² Emergency Battery Blank Without Emergency Battery	S With Surge Protector Blank Without Surge Protector	AD ¹ With Adjustment Dial Blank Without Adjustment Dial

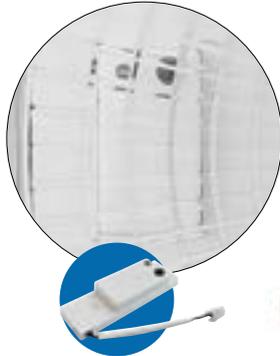
Disclaimer:
Due to the rapid pace of technology change in the Lighting industry, the Information and Data presented in this spec sheet is for reference purpose the order or design. PARAFLEX does not warrant or represent that the information is free from errors or omission. The information may change without notice and PARAFLEX is not in any way liable for the accuracy of any information printed and stored or in any way interpreted or used.

PFX-3615

LED CANOPY



STRUCTURAL DESIGN



Built in sensor
Microwave sensor, compact sized, DC input, and remote control. Optional daylight function with sensitive sensing when detect movement.

Mounting Bracket
Suitable for J-BOX mounting, and easy for installation, also support pendant mounting, wires coming out from the back for easier wire connections.

1/2inch knock hole
Support wires coming from the hole for easier wire connections. Optional PIRsensor and Emergency Battery.



Photometry
Parking Garage Photometry and polycarbonate optical lens with heat resisting.

Housing
One piece die cast housing better waterproofing, suitable for both indoor and outdoor application.

ACCESSORIES



Emergency Battery Backup
Description: 5W 800lm 90min



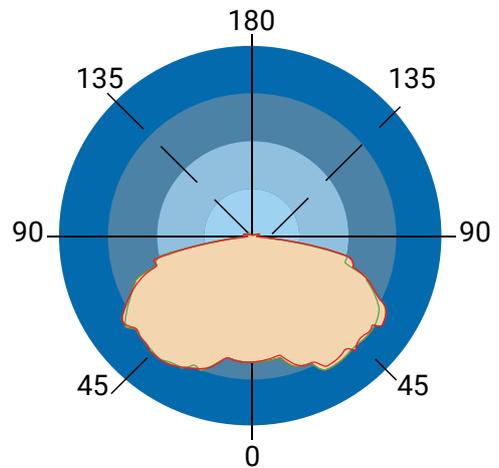
Microwave Sensor, 12V
Description: Sensor can be built-in fixture.



PIR Sensor, 120-277V
Description: External sensor can be pre-installed in factory or field installed.

PHOTOMETRICS

General



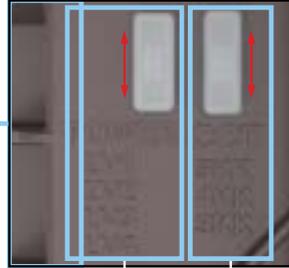
Disclaimer:
Due to the rapid pace of technology change in the Lighting industry, the Information and Data presented in this spec sheet is for reference purpose the order or design. PARAFLEX does not warrant or represent that the information is free from errors or omission. The information may change without notice and PARAFLEX is not in any way liable for the accuracy of any information printed and stored or in any way interpreted or used.

PFX-3615

LED CANOPY



STRUCTURAL DESIGN



CCT AND WATTAGE SELECTABLE
This fixture has the function of adjusting the lumens output and color temperature on-site.

WATTAGE SELECT

40% 60% 80% 100%

Each model supports 4 positions
wattage regulation :
100%, 80%, 60%, 40%

CCT SELECT

3000K 4000K 5000K

Offer three CCT adjustable
(3000K, 4000K, 5000K) .

MOUNTING



Surface Mounted With J-Box



Conduit Pendant Mount

Disclaimer:
Due to the rapid pace of technology change in the Lighting industry, the Information and Data presented in this spec sheet is for reference purpose the order or design. PARAFLEX does not warrant or represent that the information is free from errors or omission. The information may change without notice and PARAFLEX is not in any way liable for the accuracy of any information printed and stored or in any way interpreted or used.