

# PFX-9210

## SURFACE MOUNTED COMMERCIAL POSTS



NO DECORATIVE  
BASE SHOWN



**AB-AMERICANA**  
2 PIECE COVER  
(4BC1)



**DB-DECOR**  
2 PIECE COVER  
(4BC6)



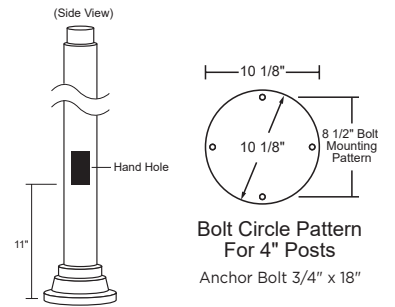
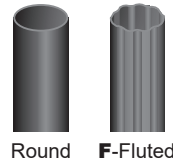
**RB-ROUND**  
1 PIECE COVER  
(4BC9)



**VB-VICTORIAN**  
2 PIECE COVER  
(4BC3)

## SURFACE MOUNTED

- Powdercoated Aluminum
- Fits Most 3" Post Top Fixtures
- Welded 3" Tenon Included
- Welded Flange Base Included
- Anchor Bolts & Template Included
- Optional Decorative Cover
- Anchor Bolts & Template Included



**Disclaimer:**  
Due to the rapid pace of technology change in the Lighting industry, the Information and Data presented in this spec sheet is for reference purposes only, please confirm with PARAFLEX at the time of finalizing the order or design. PARAFLEX does not warrant or represent that the information is free from errors or omission. The information may change without notice and PARAFLEX is not in any way liable for the accuracy of any information printed and stored or in any way interpreted or used.

# PFX-9210

## SURFACE MOUNT COMMERCIAL POSTS



GUIDE CODE: 9210-R-8-AB-BK-HH

### 4" SMOOTH ROUND ALUMINUM

.125" WALL THICKNESS

ITEM #	DECORATIVE COVER	COLOR	OPTIONS
PFX-9210-R-8'	<b>AB</b> -Americana	<b>BK</b> -Black	<b>HH</b> *
PFX-9210-R-10'	<b>DB</b> -Decor	<b>BZ</b> -Bronze	
PFX-9210-R-12'	<b>RB</b> -Round Cover	<b>WH</b> -White	
PFX-9210-R-14'	<b>VB</b> -Victorian		

### 4" FLUTED ROUND ALUMINUM

.125" WALL THICKNESS

ITEM #	DECORATIVE COVER	COLOR	OPTIONS
PFX-9210-F-8'	<b>AB</b> -Americana	<b>BK</b> -Black	<b>HH</b> *
PFX-9210-F-10'	<b>DB</b> -Decor	<b>BZ</b> -Bronze	
PFX-9210-F-12'	<b>RB</b> -Round Cover	<b>WH</b> -White	
PFX-9210-F-14'	<b>VB</b> -Victorian		

Call factory for custom lengths & colors. \*To meet U.L. and N.E.C. standards, any post designed to be mounted over 8' above ground includes a 2" x 4" (HH) Hand Hole and ground lug unless otherwise specified. Specifications subject to change without notice.

EPA Calculation based on ASCE 7-10 Chapter 26 & Chapter 29 - Specifications subject to change without notice - POST SPEC 9/21

**Disclaimer:**

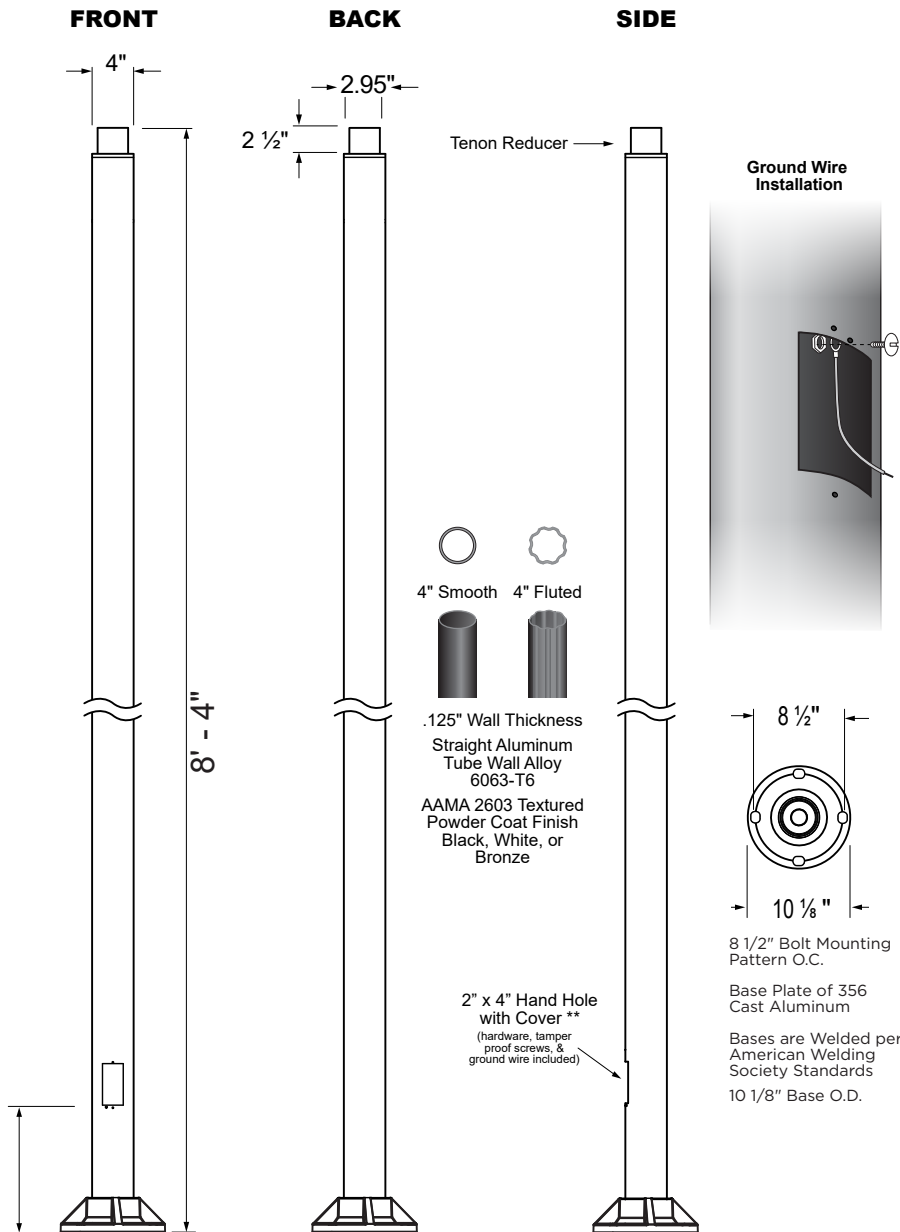
Due to the rapid pace of technology change in the Lighting industry, the Information and Data presented in this spec sheet is for reference purposes only, please confirm with PARAFLEX at the time of finalizing the order or design. PARAFLEX does not warrant or represent that the information is free from errors or omission. The information may change without notice and PARAFLEX is not in any way liable for the accuracy of any information printed and stored or in any way interpreted or used.

# PFX-9210

SURFACE MOUNT COMMERCIAL POSTS



## DIMENSIONS - 8' POSTS



### Maximum EPA (ft<sup>2</sup>)

Luminaire Weight: 100 lbs  
WIND MAP ON BACK

<b>110 MPH:</b>	10.00
<b>115 MPH:</b>	9.00
<b>120 MPH:</b>	8.50
<b>130 MPH:</b>	6.75
<b>140 MPH:</b>	5.50
<b>150 MPH:</b>	4.75
<b>160 MPH:</b>	4.00

Increased luminaire weight may reduce maximum EPA

### Dimensions

<b>Mounting Height:</b>	8 ft
<b>Wall Thickness:</b>	.125 in
<b>Butt Diameter:</b>	4 in
<b>Top Outer Diameter:</b>	2.95 in
<b>Base Diameter :</b>	10 1/8 in
<b>Bolt Circle:</b>	8 1/2 in
<b>Bolt Projection:</b>	4 in
<b>Bolt Size:</b>	3/4 x 18 in
<b>Net Weight:</b>	19 lbs

### Anchor Bolts

**BOLTS & TEMPLATE INCLUDED**  
(4 ea.) 3/4" x 18" Galvanized Steel  
Anchor Bolts  
AASHTO M314-90 Grade 55  
Threaded End Galvanized  
Per ASTM A153 With (4 ea.)  
Galvanized Steel Leveling Hex  
Nuts, (4 ea.) Fastening Hex Nuts,  
and (8 ea.) Washers

**INSTALL IN REINFORCED  
CONCRETE (BY OTHERS)**

### SEE SAFETY NOTES ON BACK

\* MOQs Apply \*\* To meet U.L. and N.E.C. standards, any post designed to be mounted over 8' above ground includes a 2" x 4" Hand Hole and ground wire.  
\*\*\* Post comes pre-drilled when ordered with Tenon option.

### SPECIFICATIONS

Powdercoated Aluminum  
Fits Most 3" Post Top Fixtures  
Welded 3" Tenon Included  
Welded Flange Base Included

**Disclaimer:**

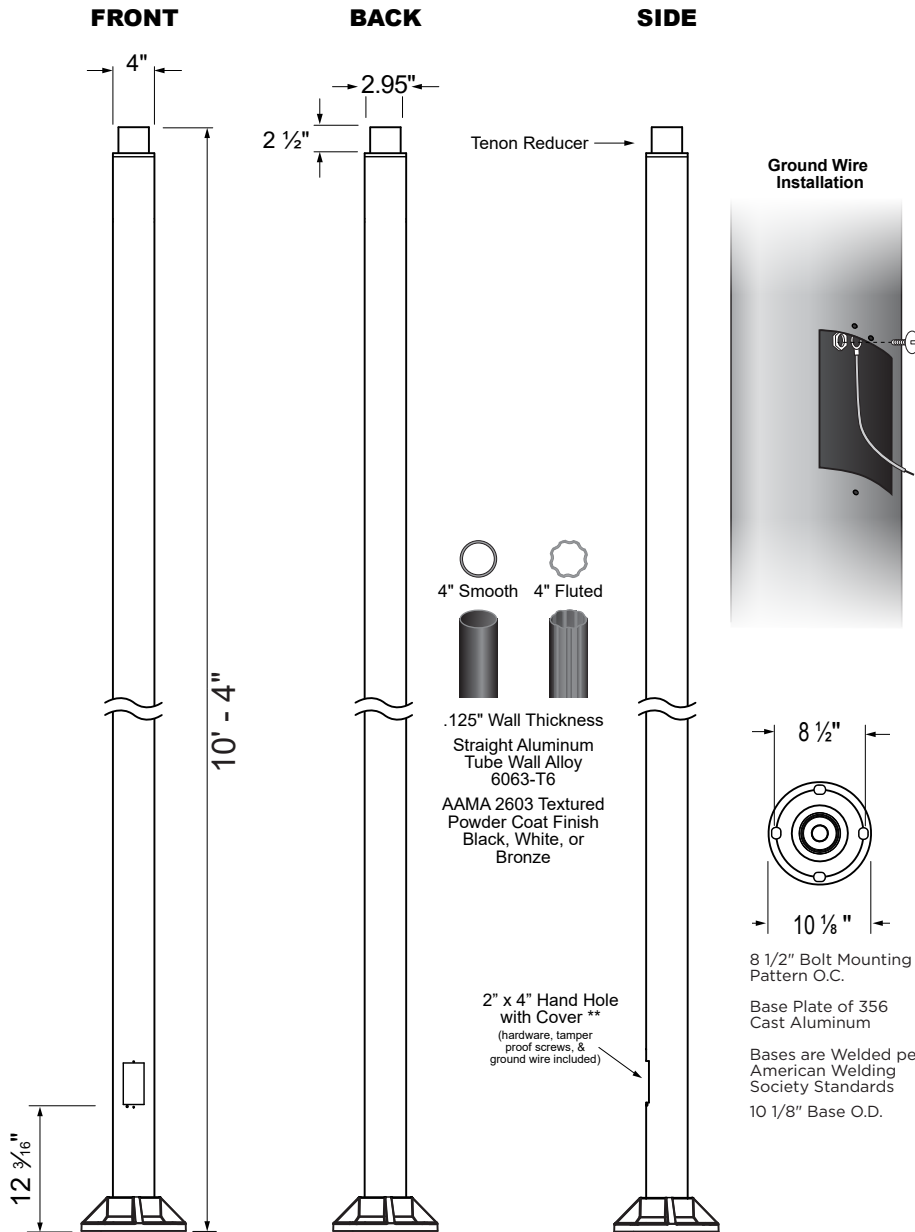
Due to the rapid pace of technology change in the Lighting industry, the Information and Data presented in this spec sheet is for reference purposes only, please confirm with PARAFLEX at the time of finalizing the order or design. PARAFLEX does not warrant or represent that the information is free from errors or omission. The information may change without notice and PARAFLEX is not in any way liable for the accuracy of any information printed and stored or in any way interpreted or used.

# PFX-9210

SURFACE MOUNT COMMERCIAL POSTS



## DIMENSIONS - 10' POSTS



### Maximum EPA (ft<sup>2</sup>)

Luminaire Weight: 100 lbs  
WIND MAP ON BACK

<b>110 MPH:</b>	7.25
<b>115 MPH:</b>	6.50
<b>120 MPH:</b>	5.75
<b>130 MPH:</b>	4.75
<b>140 MPH:</b>	3.75
<b>150 MPH:</b>	3.00
<b>160 MPH:</b>	2.50

Increased luminaire weight may reduce maximum EPA

### Dimensions

<b>Mounting Height:</b>	10 ft
<b>Wall Thickness:</b>	.125 in
<b>Butt Diameter:</b>	4 in
<b>Top Outer Diameter:</b>	2.95 in
<b>Base Diameter :</b>	10 1/8 in
<b>Bolt Circle:</b>	8 1/2 in
<b>Bolt Projection:</b>	4 in
<b>Bolt Size:</b>	3/4 x 18 in
<b>Net Weight:</b>	19 lbs

### Anchor Bolts

**BOLTS & TEMPLATE INCLUDED**  
(4 ea.) 3/4" x 18" Galvanized Steel  
Anchor Bolts

AASHTO M314-90 Grade 55

Threaded End Galvanized  
Per ASTM A153 With (4 ea.)  
Galvanized Steel Leveling Hex  
Nuts, (4 ea.) Fastening Hex Nuts,  
and (8 ea.) Washers

**INSTALL IN REINFORCED  
CONCRETE (BY OTHERS)**

### SEE SAFETY NOTES ON BACK

\* MOQs Apply \*\* To meet U.L. and N.E.C. standards, any post designed to be  
mounted over 8' above ground includes a 2" x 4" Hand Hole and ground wire.  
\*\*\* Post comes pre-drilled when ordered with Tenon option.

### SPECIFICATIONS

Powdercoated Aluminum  
Fits Most 3" Post Top Fixtures  
Welded 3" Tenon Included  
Welded Flange Base Included

**Disclaimer:**

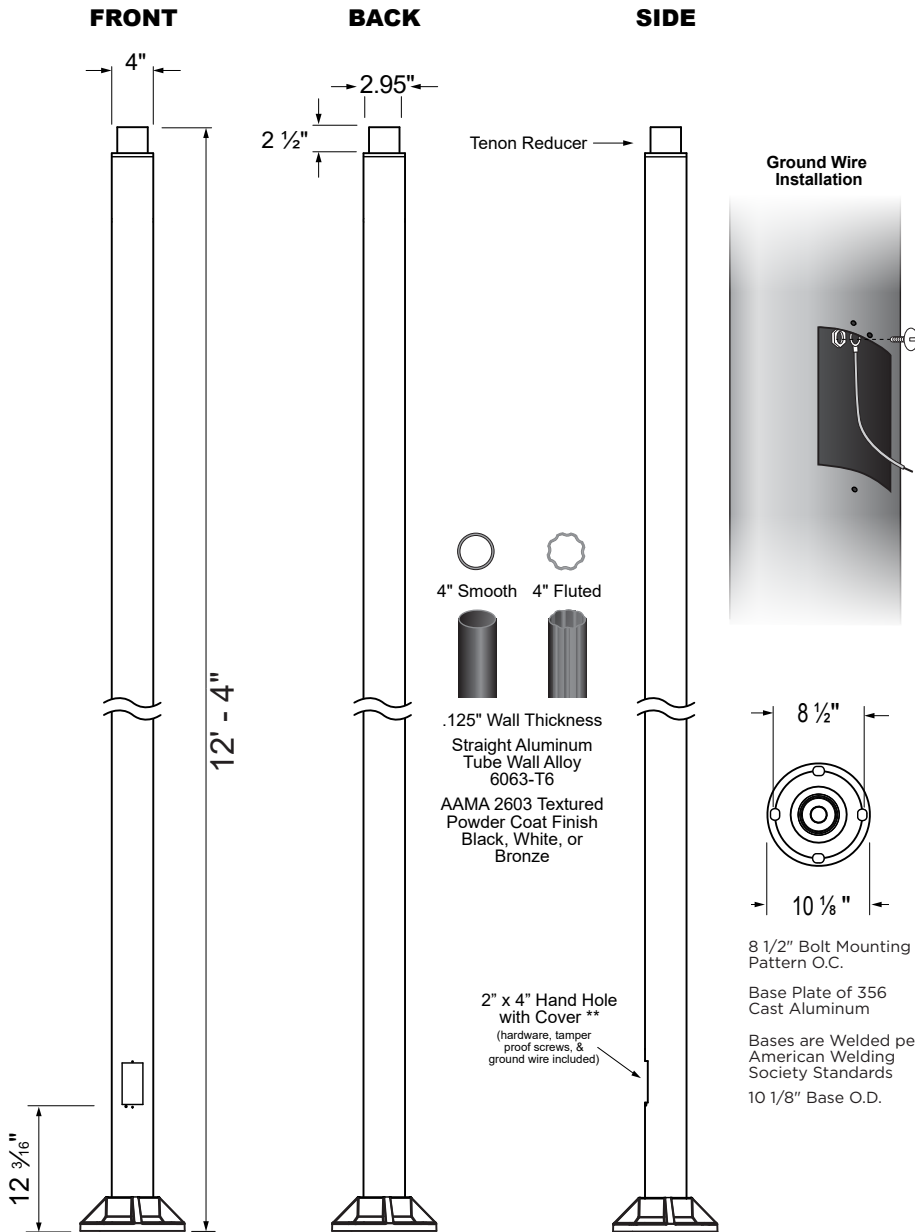
Due to the rapid pace of technology change in the Lighting industry, the Information and Data presented in this spec sheet is for reference purposes only, please confirm with PARAFLEX at the time of finalizing the order or design. PARAFLEX does not warrant or represent that the information is free from errors or omission. The information may change without notice and PARAFLEX is not in any way liable for the accuracy of any information printed and stored or in any way interpreted or used.

# PFX-9210

SURFACE MOUNT COMMERCIAL POSTS



## DIMENSIONS - 12' POSTS



### Maximum EPA (ft<sup>2</sup>)

Luminaire Weight: 100 lbs  
WIND MAP ON BACK

<b>110 MPH:</b>	5.50
<b>115 MPH:</b>	4.75
<b>120 MPH:</b>	4.25
<b>130 MPH:</b>	3.25
<b>140 MPH:</b>	2.50
<b>150 MPH:</b>	2.00
<b>160 MPH:</b>	1.50

Increased luminaire weight may reduce maximum EPA

### Dimensions

<b>Mounting Height:</b>	12 ft
<b>Wall Thickness:</b>	.125 in
<b>Butt Diameter:</b>	4 in
<b>Top Outer Diameter:</b>	2.95 in
<b>Base Diameter :</b>	10 1/8 in
<b>Bolt Circle:</b>	8 1/2 in
<b>Bolt Projection:</b>	4 in
<b>Bolt Size:</b>	3/4 x 18 in
<b>Net Weight:</b>	19 lbs

### Anchor Bolts

**BOLTS & TEMPLATE INCLUDED**  
(4 ea.) 3/4" x 18" Galvanized Steel Anchor Bolts  
AASHTO M314-90 Grade 55  
Threaded End Galvanized Per ASTM A153 With (4 ea.) Galvanized Steel Leveling Hex Nuts, (4 ea.) Fasting Hex Nuts, and (8 ea.) Washers

INSTALL IN REINFORCED CONCRETE (BY OTHERS)

### SEE SAFETY NOTES ON BACK

\* MOQs Apply \*\* To meet U.L. and N.E.C. standards, any post designed to be mounted over 8' above ground includes a 2" x 4" Hand Hole and ground wire. \*\*\* Post comes pre-drilled when ordered with Tenon option.

### SPECIFICATIONS

Powdercoated Aluminum  
Fits Most 3" Post Top Fixtures  
Welded 3" Tenon Included  
Welded Flange Base Included

### 4" SMOOTH ROUND ALUMINUM

**Disclaimer:**

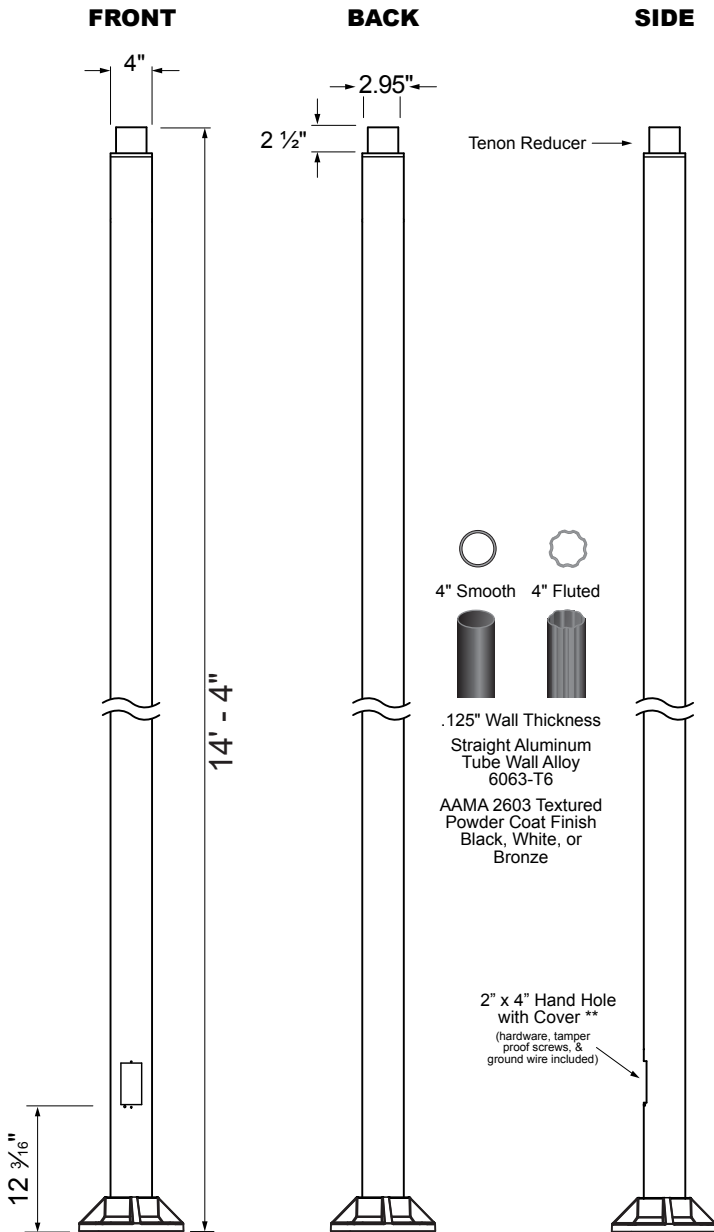
Due to the rapid pace of technology change in the Lighting industry, the Information and Data presented in this spec sheet is for reference purposes only, please confirm with PARAFLEX at the time of finalizing the order or design. PARAFLEX does not warrant or represent that the information is free from errors or omission. The information may change without notice and PARAFLEX is not in any way liable for the accuracy of any information printed and stored or in any way interpreted or used.

# PFX-9210

SURFACE MOUNT COMMERCIAL POSTS



## DIMENSIONS - 14' POSTS



### Maximum EPA (ft<sup>2</sup>)

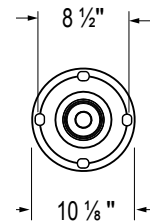
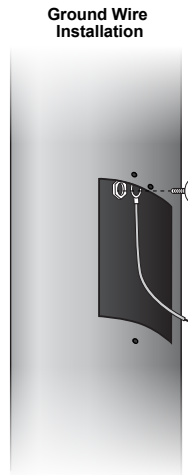
Luminaire Weight: 100 lbs  
WIND MAP ON BACK

<b>110 MPH:</b>	4.00
<b>115 MPH:</b>	3.50
<b>120 MPH:</b>	3.00
<b>130 MPH:</b>	2.25
<b>140 MPH:</b>	1.50
<b>150 MPH:</b>	1.00
<b>160 MPH:</b>	0.50

Increased luminaire weight may reduce maximum EPA

### Dimensions

<b>Mounting Height:</b>	14 ft
<b>Wall Thickness:</b>	.125 in
<b>Butt Diameter:</b>	4 in
<b>Top Outer Diameter:</b>	2.95 in
<b>Base Diameter :</b>	10 1/8 in
<b>Bolt Circle:</b>	8 1/2 in
<b>Bolt Projection:</b>	4 in
<b>Bolt Size:</b>	3/4 x 18 in
<b>Net Weight:</b>	19 lbs



8 1/2" Bolt Mounting  
Pattern O.C.

Base Plate of 356  
Cast Aluminum

Bases are Welded per  
American Welding  
Society Standards

10 1/8" Base O.D.

### Anchor Bolts

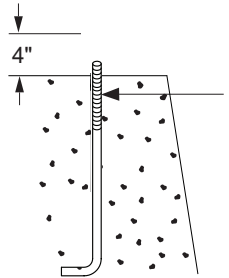
**BOLTS & TEMPLATE INCLUDED**  
(4 ea.) 3/4" x 18" Galvanized Steel  
Anchor Bolts

AASHTO M314-90 Grade 55  
Threaded End Galvanized  
Per ASTM A153 With (4 ea.)  
Galvanized Steel Leveling Hex  
Nuts, (4 ea.) Fastening Hex Nuts,  
and (8 ea.) Washers

**INSTALL IN REINFORCED  
CONCRETE (BY OTHERS)**

### SEE SAFETY NOTES ON BACK

\* MOQs Apply \*\* To meet U.L. and N.E.C. standards, any post designed to be  
mounted over 8' above ground includes a 2" x 4" Hand Hole and ground wire.  
\*\*\* Post comes pre-drilled when ordered with Tenon option.



## SPECIFICATIONS

- Powdercoated Aluminum
- Fits Most 3" Post Top Fixtures
- Welded 3" Tenon Included
- Welded Flange Base Included

**Disclaimer:**

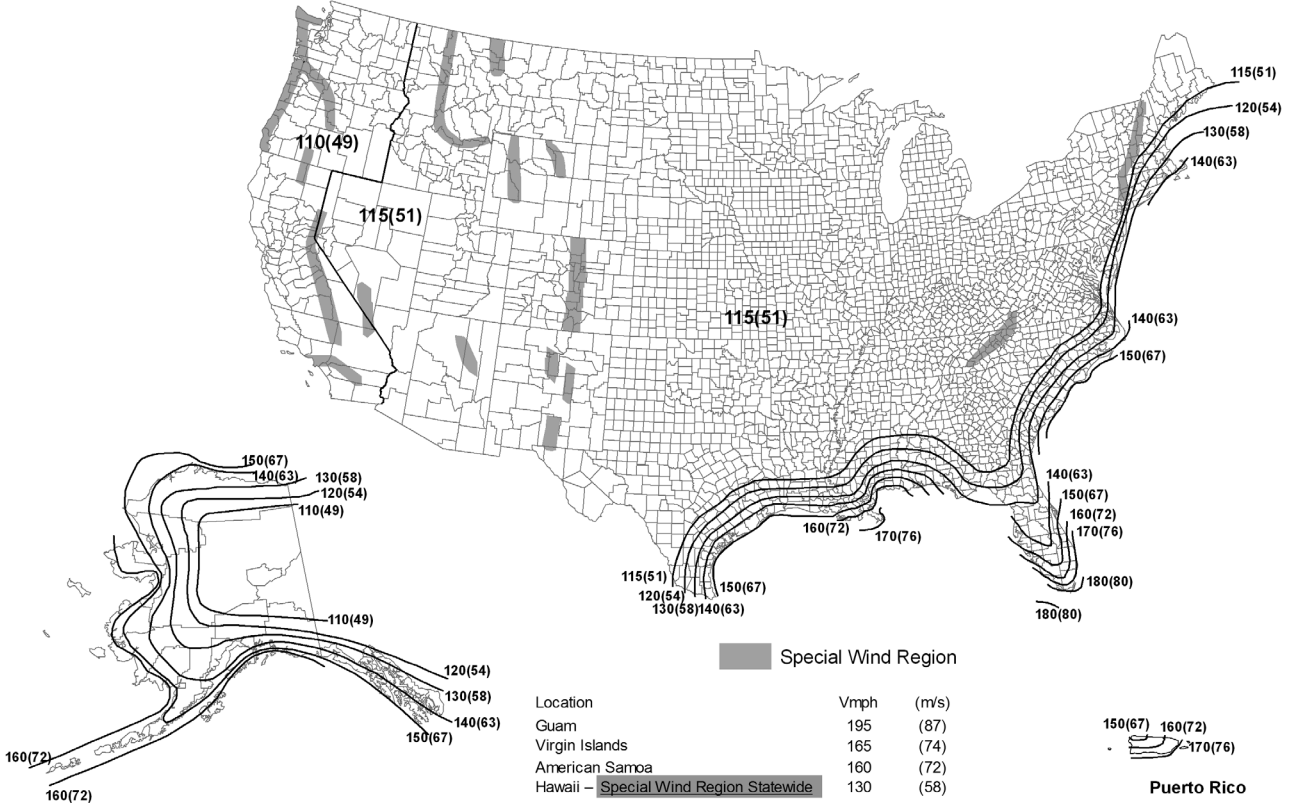
Due to the rapid pace of technology change in the Lighting industry, the Information and Data presented in this spec sheet is for reference purposes only, please confirm with PARAFLEX at the time of finalizing the order or design. PARAFLEX does not warrant or represent that the information is free from errors or omission. The information may change without notice and PARAFLEX is not in any way liable for the accuracy of any information printed and stored or in any way interpreted or used.

# PFX-9210

SURFACE MOUNTED COMMERCIAL POSTS



PREPARED PER PERMISSION ANSI/ACSE 7-10



**Notes:**

1. Values are nominal design 3-second gust wind speeds in miles per hour (m/s) at 33 ft (10m) above ground for Exposure C category.
2. Linear interpolation between contours is permitted.
3. Islands and coastal areas outside the last contour shall use the last wind speed contour of the coastal area.
4. Mountainous terrain, gorges, ocean promontories, and special wind regions shall be examined for unusual wind conditions.
5. Wind speeds correspond to approximately a 7% probability of exceedance in 50 years (Annual Exceedance Probability = 0.00143, MRI = 700 Years).

**Disclaimer:**

Due to the rapid pace of technology change in the Lighting industry, the Information and Data presented in this spec sheet is for reference purposes only, please confirm with PARAFLEX at the time of finalizing the order or design. PARAFLEX does not warrant or represent that the information is free from errors or omission. The information may change without notice and PARAFLEX is not in any way liable for the accuracy of any information printed and stored or in any way interpreted or used.