

# PFX-3127

LED WALLPACK



Utilizing the latest generation of LED chips, this uniquely designed wallpack delivers a similar light output to a 150/200 W metal halide but with only 1/3 energy consumption. Housing made of die-casting aluminum with reliable powder coating specifically for harsh outdoor environment. It is attractive in appearance and performance.

## AVAILABLE OPTIONS



Optional photo control

## FEATURES

### LISTING

UL and CUL listed for wet locations

### HOUSING

Die-cast aluminum body

### LEDS

New generation COB technology

### FINISH

UV stabilized powder coated finish

### LENS

Heat and impact resistant borosilicate glass

### OPTIONS

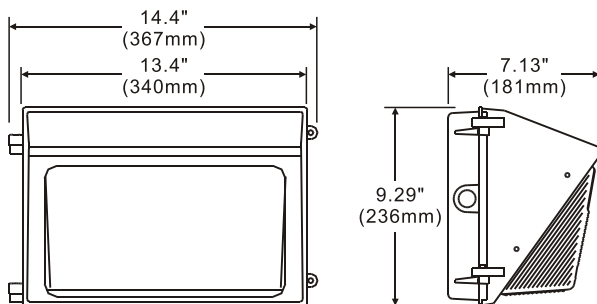
Finish - Bronze. Color option with adder

## SPECIFICATION

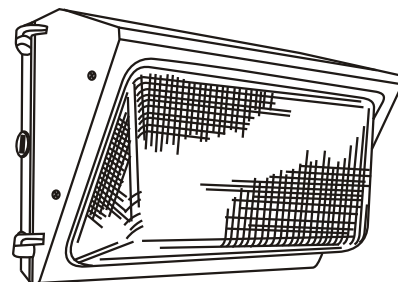
Example Model Number: PFX-3127E048UNV840T4ST-XXXXXXXXX

Model No.	▶ PFX-3127
System watts	▶ 48 W
Input Voltage	▶ UNV = 120-277 V
CRI	▶ 8 = 80 CRI
CCT	▶ 40 = 4000K
Light Distribution	▶ T4 = Type 4
Lumens	▶ 6127 lm**
Power	▶ 48 W
Efficacy	▶ 127.65 lm/W

## DIMENSIONS



## LINE DRAWING



Due to the rapid pace of technology change in the Lighting industry, the Information and Data presented in this spec sheet is for reference purposes only, please confirm with PARAFLEX at the time of finalizing the order or design. PARAFLEX does not warrant or represent that the information is free from errors or omission. The information may change without notice and PARAFLEX is not in any way liable for the accuracy of any information printed and stored or in any way interpreted or used.