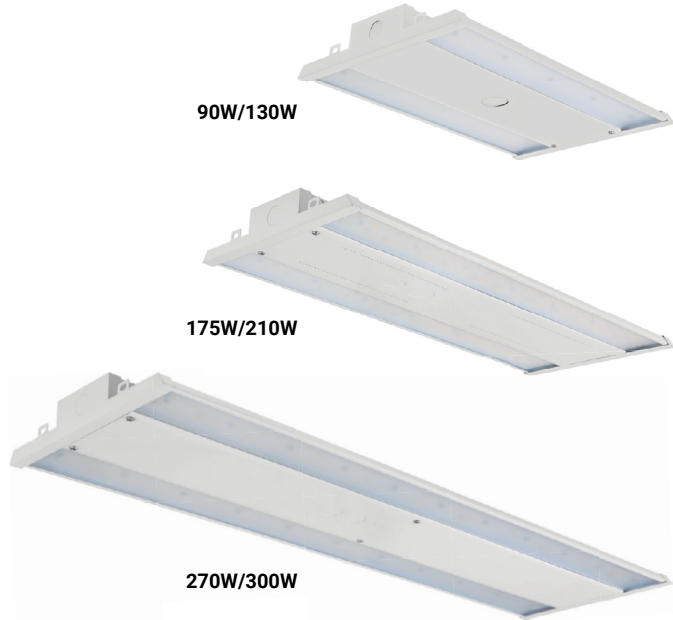


PFX-5212

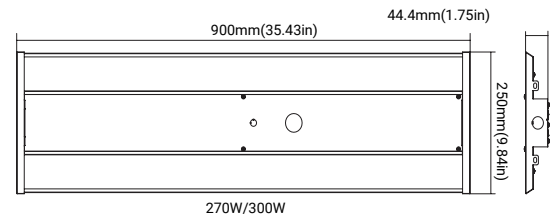
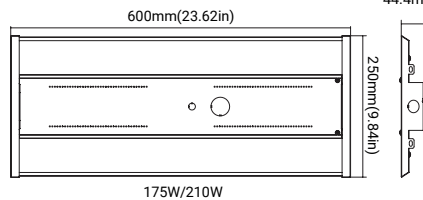
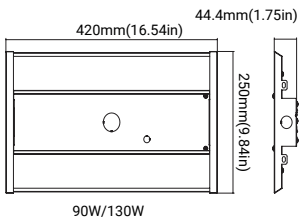
LED LINEAR HIGH BAY



FEATURES

- Visual comfortable light comes from a simple contour.
- Best choice for replacing fluorescent lamps with high efficacy.
- Voltage is 120-277V & 347/480V.
- Optional prismatic diffuser reduces glare light toughly.
- Optional frosted diffuser delivers best light uniformity.
- PIR sensor is optional and supports Emergency Battery.
- Standard 1-10V dimming.
- Optional for Power Adjustable.
- Steel wire rope(included), pendant or surface mounting available.
- Projected lifespan of 50,000 hrs.
- Operating temperature is -40°C to 50°C(-40°F to 122°F).
- Note: Operating temperature range with emergency battery: 0°C to 50°C (+32°F - +122°F).
- UL/cUL damp location listed and DLC qualified.
- Note: DesignLights Consortium™ Qualified and classified for DLC Standard
- (all lumen packages), refer to www.designlights.org for details.

DESCRIPTION



ORDERING GUIDE

Sample Part PFX-5212-210W27V50KCDMBS1

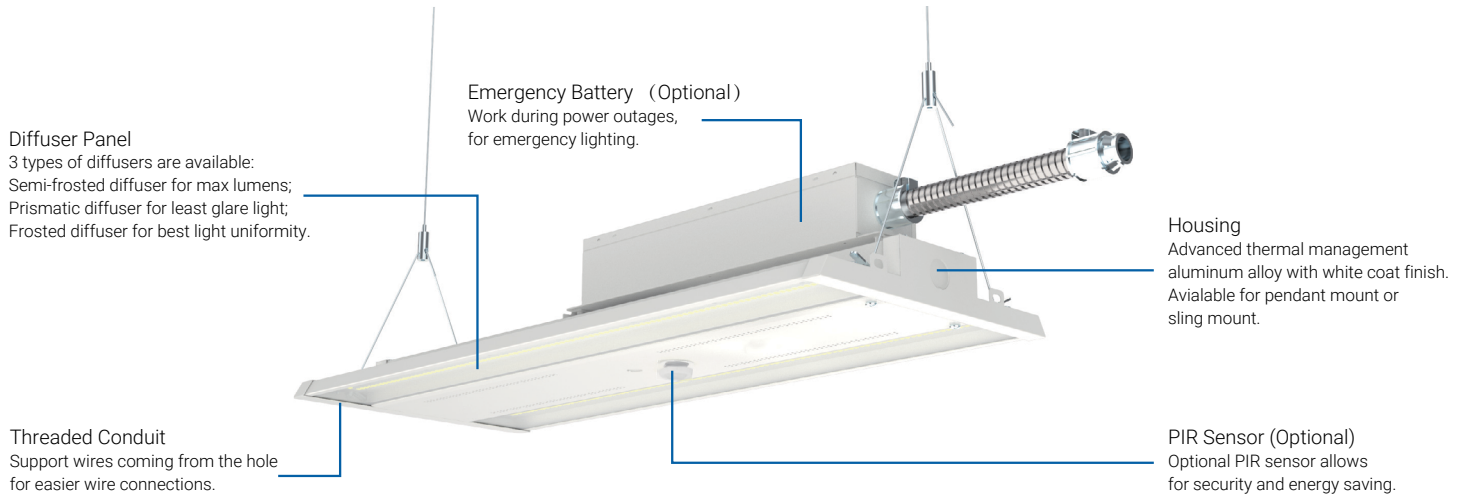
Fixture Type	Wattage	Voltage	CCT	Lens	Sensor (Option)	Backup Battery (Option)	Surge Protector	Internal Code
<input type="checkbox"/>	<input type="checkbox"/>	<input type="checkbox"/>	<input type="checkbox"/>	<input type="checkbox"/>	<input type="checkbox"/>	<input type="checkbox"/>	<input type="checkbox"/>	<input type="checkbox"/>
PFX-5212	90W	27V 120-277V	40K 4000K	CD	M P IR Sensor	B	S	Blank
Linear high bay series	130W	48V 347/480V	50K 5000K	Semi-frosted Diffuser	Blank	Emergency Battery	With Surge Protector	Alphanumeric
	145W			PD	Without Sensor	Blank	Blank	
	175W			Prismatic Diffuser		Without Emergency Battery	Without Surge Protector	
	185W			FD				
	210W			Frosted Diffuser				
	220W							
	270W							
	278W							
	300W							
	310W							

Disclaimer:

Due to the rapid pace of technology change in the Lighting industry, the Information and Data presented in this spec sheet is for reference purpose the order or design. PARAFLEX does not warrant or represent that the information is free from errors or omission. The information may change without notice and PARAFLEX is not in any way liable for the accuracy of any information printed and stored or in any way interpreted or used.

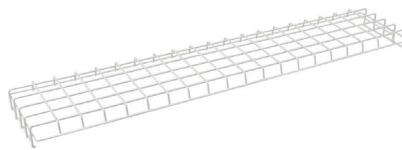
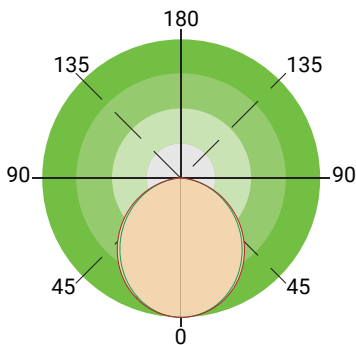
PFX-5212

LED LINEAR HIGH BAY



PHOTOMETRICS

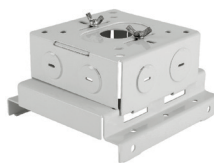
ACCESSORY



Wire Guard (Optional)



Emergency Battery (Optional)



Pendant Hanger (Optional)



PIR Sensor (Optional)

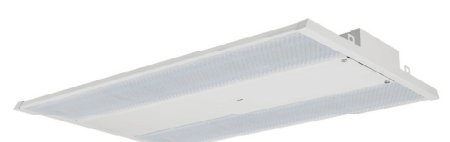
DIFFUSER OPTIONS



Semi-frosted Diffuser (High efficacy)
Default



Frosted Diffuser (Soft light)



Prismatic Diffuser (Low glare)

Disclaimer:

Due to the rapid pace of technology change in the Lighting industry, the Information and Data presented in this spec sheet is for reference purpose the order or design. PARAFLEX does not warrant or represent that the information is free from errors or omission. The information may change without notice and PARAFLEX is not in any way liable for the accuracy of any information printed and stored or in any way interpreted or used.

PFX-5212
LED LINEAR HIGH BAY



PERFORMANCE DATA

SYS TEM WATTS	VOLTAGE	LENS	LUMENS 4000K(70CRI)	LPW 4000K(70CRI)	LUMENS 5000K(70CRI)	LPW 5000K(70CRI)
90W	120-277VAC 347-480VAC	Semi-frosted Diffuser	12700lm	141 lm/W	12700lm	141 lm/W
		Prismatic Diffuser	12100lm	134 lm/W	12100lm	134 lm/W
		Frosted Diffuser	11700lm	130 lm/W	11700lm	130 lm/W
130W	120-277VAC	Semi-frosted Diffuser	18600lm	143 lm/W	18600lm	143 lm/W
		Prismatic Diffuser	17600lm	135 lm/W	17600lm	135 lm/W
		Frosted Diffuser	17200lm	132 lm/W	17200lm	132 lm/W
145W	347/480VAC	Semi-frosted Diffuser	19100lm	132 lm/W	19200lm	132 lm/W
		Prismatic Diffuser	18800lm	130 lm/W	18800lm	130 lm/W
		Frosted Diffuser	18500lm	128 lm/W	18500lm	128 lm/W
175W	120-277VAC	Semi-frosted Diffuser	25000lm	143 lm/W	25000lm	143 lm/W
		Prismatic Diffuser	23500lm	134 lm/W	23500lm	134 lm/W
		Frosted Diffuser	23000lm	131 lm/W	23000lm	131 lm/W
185W	347/480VAC	Semi-frosted Diffuser	25300lm	137 lm/W	25300lm	137 lm/W
		Prismatic Diffuser	24700lm	134 lm/W	24700lm	134 lm/W
		Frosted Diffuser	24000lm	130 lm/W	24000lm	130 lm/W
210W	120-277VAC	Semi-frosted Diffuser	30600lm	146 lm/W	30600lm	146 lm/W
		Prismatic Diffuser	28000lm	133 lm/W	28000lm	133 lm/W
		Frosted Diffuser	27500lm	131 lm/W	27500lm	131 lm/W
220W	347/480VAC	Semi-frosted Diffuser	31000lm	141 lm/W	31000lm	141 lm/W
		Prismatic Diffuser	29200lm	133 lm/W	29200lm	133 lm/W
		Frosted Diffuser	28500lm	130 lm/W	28500lm	130 lm/W
270W	120-277VAC	Semi-frosted Diffuser	37000lm	137 lm/W	37000lm	137 lm/W
		Prismatic Diffuser	35200lm	130 lm/W	35200lm	130 lm/W
		Frosted Diffuser	34400lm	127 lm/W	34400lm	127 lm/W
278W	347/480VAC	Semi-frosted Diffuser	37500lm	135 lm/W	37500lm	135 lm/W
		Prismatic Diffuser	36000lm	129 lm/W	36000lm	129 lm/W
		Frosted Diffuser	35300lm	127 lm/W	35300lm	127 lm/W
300W	120-277VAC	Semi-frosted Diffuser	41500lm	138 lm/W	41500lm	138 lm/W
		Prismatic Diffuser	40000lm	133 lm/W	40000lm	133 lm/W
		Frosted Diffuser	39000lm	130 lm/W	39000lm	130 lm/W
310W	347/480VAC	Semi-frosted Diffuser	42000lm	135 lm/W	42000lm	135 lm/W
		Prismatic Diffuser	40000lm	133 lm/W	40000lm	133 lm/W
		Frosted Diffuser	39000lm	130 lm/W	39000lm	130 lm/W

Disclaimer:

Due to the rapid pace of technology change in the Lighting industry, the Information and Data presented in this spec sheet is for reference purpose the order or design. PARAFLEX does not warrant or represent that the information is free from errors or omission. The information may change without notice and PARAFLEX is not in any way liable for the accuracy of any information printed and stored or in any way interpreted or used.

PFX-5212
LED LINEAR HIGH BAY



ELECTRICAL DATA

Number Of Drivers	Driver Current (mA)	Nominal Power (W)	INPUT VOLTAGE (V)	CURRENT (Amps)
18	50	90	1200	.75
		90	2080	.43
		90	2400	.38
		90	2770	.32
12	400	90	3470	.26
		90	4800	.19
11	200	130	1201	.08
		130	2080	.63
		130	2400	.54
		130	2770	.47
		145	3470	.42
		145	4800	.30
11	060	175	1201	.46
		175	2080	.84
		175	2400	.73
		175	2770	.63
		185	3470	.53
		185	4800	.39
11	060	210	1201	.75
		210	2081	.01
		210	2400	.88
		210	2770	.76
		220	3470	.63
		220	4800	.46
22	400	270	1202	.25
		270	2081	.30
		270	240	1.13
		270	2770	.97
		278	3470	.80
		278	4800	.58
22	400	300	1202	.50
		300	2081	.44
		300	2401	.25
		300	2771	.08
		310	3470	.89
		310	4800	.65

Disclaimer:

Due to the rapid pace of technology change in the Lighting industry, the Information and Data presented in this spec sheet is for reference purpose the order or design. PARAFLEX does not warrant or represent that the information is free from errors or omission. The information may change without notice and PARAFLEX is not in any way liable for the accuracy of any information printed and stored or in any way interpreted or used.