



28322832

Caution

Turn off the main power at the circuit breaker before starting the installation to prevent possible injury from electrical shock.

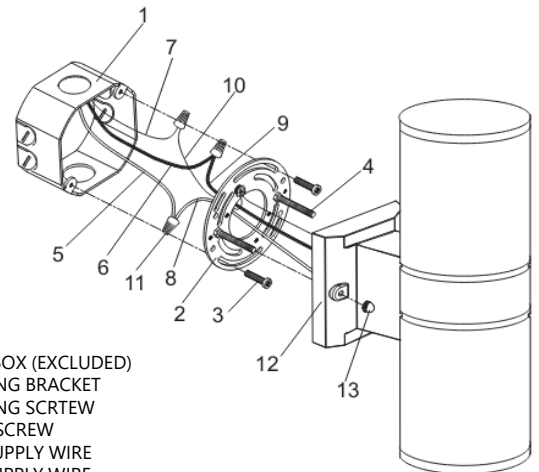
General

1. Pull the supply wires (5 & 6) and the house ground wire (7) from the outlet box (1). Attach the mounting bracket (2) using the slotted holes and provided mounting screws (3).

2. Connect the power supply wires to the fixture lead wires: black fixture wire (9) to black supply wire (6) and white fixture wire (8) to white supply wire (5) using wire connector (11). Attach the fixture ground wire (10) to the house ground wire (7) on the mounting bracket (2).

Installation

1. Pull the supply wires (5 & 6) and the house ground wire (7) from the outlet box (1). Attach the mounting bracket (2) using the slotted holes and provided mounting screws (3).
2. Connect the power supply wires to the fixture lead wires: black fixture wire (9) to black supply wire (6) and white fixture wire (8) to white supply wire (5) using wire connector (11). Attach the fixture ground wire (10) to the house ground wire (7) on the mounting bracket (2).
3. Tuck all wiring into the outlet box. Align the fixture base (12) over the box (1) so the fixture screws (4) can thread through the base (L).
4. Secure the fixture base (12) with the provided decorative nuts (13). Tighten until secure.
5. Installation is complete. Restore power at the circuit breaker and switch on the light to activate the fixture.



- 1. OUTLET BOX (EXCLUDED)
- 2. MOUNTING BRACKET
- 3. MOUNTING SCREW
- 4. FIXTURE SCREW
- 5. WHITE SUPPLY WIRE
- 6. BLACK SUPPLY WIRE
- 7. HOUSE GROUND WIRE
- 8. WHITE FIXTURE WIRE
- 9. BLACK FIXTURE WIRE
- 10. FIXTURE GROUND WIRE
- 11. WIRE CONNECTOR
- 12. FIXTURE BASE
- 13. DECORATIVE NUT

Application



Application: Perfect for houses/building entrances/walkways/porches/perimeters or any outdoor spaces

Disclaimer: Due to the rapid pace of technology change in the Lighting industry, the Information and Data presented in this spec sheet is for reference purposes only, please confirm with PARAFLEX at the time of finalizing the order or design. PARAFLEX does not warrant or represent that the information is free from errors or omission. The information may change without notice and PARAFLEX is not in any way liable for the accuracy of any information printed and stored or in any way interpreted or used.