

PFX-3157

Cylinder Wallpack Up/Down



HOUSING

- Premium powder-coat, aluminum, dark bronze housing.

ELECTRICAL

- Operating temperature (ambient): -40°C to 45°C (-40°F to 113°F).
- Universal 120-277V AC voltage (50-60Hz) is standard.
- Field selectable output, with 3 levels for each model.
- 0-10VDC dimming drivers are standard.
- Internal switch allows a choice of up only, down only, or both up and down.
- Internal photocell is standard. Photocell can be enabled or disabled by switch.
- Surge protection = 4kV.
- Power factor > 0.90.
- Total Harmonic distortion < 20%.

OPTICAL SYSTEM

- High temperature resistant toughened glass lens.
- Field selectable 3000k(warm white), 4000k (neutral white) and 5000k (cool white) color temperatures*.
- PFX-3157-UPDN-976L-3CCT provides a range of 600 to 900 nominal lumens*.
- PFX-3157-UPDN-201712L-3CCT provides a range of 1,200 to 2,000 nominal lumens*.
- PFX-3157-UPDN-302722L-3CCT provides a range of 2,200 to 3,000 nominal lumens*.
- Long-life LEDs provide 140,000 hours of operation with at least 70% of initial lumen output (L70)**.
- Beam angle 35°.
- LED color maintenance < 0.00342 chromaticity shift ($\Delta u'v'$) over the initial 6,000 hours of operation.
- Color rendering index > 90.

*Default 4000k color temperature and highest lumen output.

**L70 hours are IES TM-21-11 calculated hours.

MOUNTING

- Wall mount kit
- Easy installation in new construction or retrofit applications.

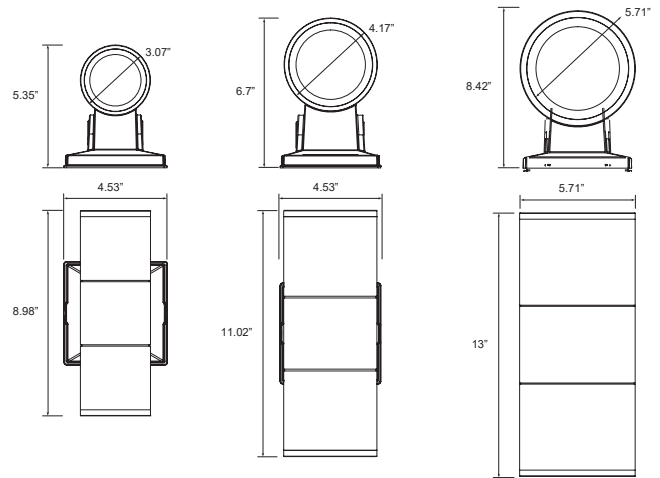
CODE COMPLIANCE

- cULus listed for wet locations.
- Complies with FCC part 15, class B.
- IP65 rated for ingress protection.



WARRANTY

- 5 year warranty on all electronics and housing.



| Model # | L (in) | W (in) | H (in) | Ø(in) | Weight (lbs) |
|----------------------------|--------|--------|--------|-------|--------------|
| PFX-3157-UPDN-976L-3CCT | 4.53 | 5.35 | 8.98 | 3.07 | 2.65 |
| PFX-3157-UPDN-201712L-3CCT | 4.53 | 6.7 | 11.02 | 4.17 | 4.13 |
| PFX-3157-UPDN-302722L-3CCT | 5.71 | 8.42 | 13 | 5.71 | 6.48 |

Disclaimer:

Due to the rapid pace of technology change in the Lighting industry, the Information and Data presented in this spec sheet is for reference purposes only, please confirm with PARAFLEX at the time of finalizing the order or design. PARAFLEX does not warrant or represent that the information is free from errors or omission. The information may change without notice and PARAFLEX is not in any way liable for the accuracy of any information printed and stored or in any way interpreted or used.

PFX-3157
Cylinder Wallpack Up/Down



ORDERING GUIDE

Example: PFX-3157-UPDN-302722L-3CCT

| Series | Nominal Lumen Output (Selectable) | | CCT Selectable |
|---------------|-----------------------------------|-----------------------|-------------------|
| PFX-3157-UPDN | 976L | 900 / 700 / 600 | 3CCT 3K / 4K / 5K |
| | 201712L | 2,000 / 1,700 / 1,200 | |
| | 302722L | 3,000 / 2,700 / 2,200 | |

COMPATIBLE DIMMERS AND CONTROLS

| Manufacturer | Model Number | Dimmer Range | Load Switching Capacity |
|--------------|--------------|--------------|-------------------------|
| Leviton | IP710-LFZ | 10%-100% | 1200W |
| Lutron | DVSTV | 10%-100% | 450W |

LUMEN TABLES

| Series | Measurements | Low Lumens | | | Mid Lumens | | | High Lumens | | |
|-------------------------|--------------|------------|-------|-------|------------|-------|-------|-------------|-------|-------|
| | | 3000K | 4000K | 5000K | 3000K | 4000K | 5000K | 3000K | 4000K | 5000K |
| PFX-3157-UPDN-976L-3CCT | Lumens | 502 | 565 | 590 | 625 | 707 | 735 | 763 | 864 | 894 |
| | Watt | 6.07 | 5.99 | 6.06 | 7.62 | 7.49 | 7.61 | 9.37 | 9.19 | 9.33 |
| | Efficacy | 83 | 94 | 97 | 82 | 94 | 97 | 81 | 94 | 96 |

| Series | Measurements | Low Lumens | | | Mid Lumens | | | High Lumens | | |
|----------------------------|--------------|------------|-------|-------|------------|-------|-------|-------------|-------|-------|
| | | 3000K | 4000K | 5000K | 3000K | 4000K | 5000K | 3000K | 4000K | 5000K |
| PFX-3157-UPDN-201712L-3CCT | Lumens | 1115 | 1225 | 1277 | 1487 | 1662 | 1716 | 1739 | 1959 | 1999 |
| | Watt | 12.31 | 12.14 | 12.32 | 16.82 | 16.61 | 16.88 | 20.07 | 19.79 | 20.1 |
| | Efficacy | 91 | 101 | 104 | 88 | 100 | 102 | 87 | 99 | 99 |

| Series | Measurements | Low Lumens | | | Mid Lumens | | | High Lumens | | |
|----------------------------|--------------|------------|-------|-------|------------|-------|-------|-------------|-------|-------|
| | | 3000K | 4000K | 5000K | 3000K | 4000K | 5000K | 3000K | 4000K | 5000K |
| PFX-3157-UPDN-302722L-3CCT | Lumens | 2004 | 2162 | 2237 | 2443 | 2660 | 2716 | 2663 | 2912 | 2979 |
| | Watt | 23.65 | 23.48 | 23.91 | 29.88 | 29.63 | 30.09 | 34.66 | 34.43 | 34.85 |
| | Efficacy | 85 | 92 | 94 | 82 | 90 | 90 | 77 | 85 | 85 |

Disclaimer:

Due to the rapid pace of technology change in the Lighting industry, the Information and Data presented in this spec sheet is for reference purposes only, please confirm with PARAFLEX at the time of finalizing the order or design. PARAFLEX does not warrant or represent that the information is free from errors or omission. The information may change without notice and PARAFLEX is not in any way liable for the accuracy of any information printed and stored or in any way interpreted or used.

PFX-3157
Cylinder Wallpack Up/Down



ELECTRICAL DATA

| Series | CCT | Input Amps (A) | | | | | | | | |
|-------------------------|-------|----------------|------|------|------------|------|------|-------------|------|------|
| | | Low Lumens | | | Mid Lumens | | | High Lumens | | |
| | | 120V | 240V | 277V | 120V | 240V | 277V | 120V | 240V | 277V |
| PFX-3157-UPDN-976L-3CCT | 3000k | 0.05 | 0.03 | 0.02 | 0.06 | 0.03 | 0.03 | 0.08 | 0.04 | 0.03 |
| | 4000k | 0.05 | 0.02 | 0.02 | 0.06 | 0.03 | 0.03 | 0.08 | 0.04 | 0.03 |
| | 5000k | 0.05 | 0.03 | 0.02 | 0.06 | 0.03 | 0.03 | 0.08 | 0.04 | 0.03 |

| Series | CCT | Input Amps (A) | | | | | | | | |
|-----------------------------|-------|----------------|------|------|------------|------|------|-------------|------|------|
| | | Low Lumens | | | Mid Lumens | | | High Lumens | | |
| | | 120V | 240V | 277V | 120V | 240V | 277V | 120V | 240V | 277V |
| PFX-3157-UPDN- 201712L-3CCT | 3000k | 0.10 | 0.05 | 0.04 | 0.14 | 0.07 | 0.06 | 0.17 | 0.08 | 0.07 |
| | 4000k | 0.10 | 0.05 | 0.04 | 0.14 | 0.07 | 0.06 | 0.16 | 0.08 | 0.07 |
| | 5000k | 0.10 | 0.05 | 0.04 | 0.14 | 0.07 | 0.06 | 0.17 | 0.08 | 0.07 |

| Series | CCT | Input Amps (A) | | | | | | | | |
|-----------------------------|-------|----------------|------|------|------------|------|------|-------------|------|------|
| | | Low Lumens | | | Mid Lumens | | | High Lumens | | |
| | | 120V | 240V | 277V | 120V | 240V | 277V | 120V | 240V | 277V |
| PFX-3157-UPDN- 302722L-3CCT | 3000k | 0.20 | 0.10 | 0.09 | 0.25 | 0.12 | 0.11 | 0.29 | 0.14 | 0.13 |
| | 4000k | 0.20 | 0.10 | 0.08 | 0.25 | 0.12 | 0.11 | 0.29 | 0.14 | 0.12 |
| | 5000k | 0.20 | 0.10 | 0.09 | 0.25 | 0.13 | 0.11 | 0.29 | 0.15 | 0.13 |

Disclaimer:
Due to the rapid pace of technology change in the Lighting industry, the Information and Data presented in this spec sheet is for reference purposes only, please confirm with PARAFLEX at the time of finalizing the order or design. PARAFLEX does not warrant or represent that the information is free from errors or omission. The information may change without notice and PARAFLEX is not in any way liable for the accuracy of any information printed and stored or in any way interpreted or used.

PFX-3157

Cylinder Wallpack Up/Down



PHOTOMETRICS

PFX-3157-UPDN-976L-3CCT

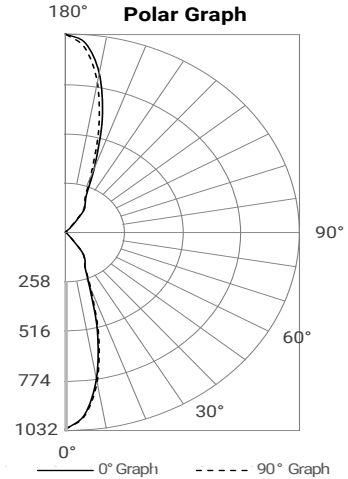
Luminaire Data

| Description | Up Down Wall Cylinder Lumen and Kelvin Select |
|-----------------------------|---|
| Total Lumens | 864 |
| Input Wattage | 9 |
| Efficacy (lm/W) | 94 |
| Max. Cd. | 1034.1 (292.5H, 179V) |
| IES Classification | N.A. |
| Longitudinal Classification | N.A. |

Photometrics calculated at 4000k and highest lumen setting.

Luminaire Classification Systems (LCS)

| LCS Zone | Lumens | %Lum |
|--------------|------------|---------------|
| FL 0-30 | 166 | 19.2% |
| FM 30-60 | 40 | 4.7% |
| FH 60-80 | 1 | 0.1% |
| FVH 80-90 | 0 | 0.0% |
| BL 0-30 | 177 | 20.4% |
| BM 30-60 | 46 | 5.3% |
| BH 60-80 | 1 | 0.1% |
| BVH 80-90 | 0 | 0.0% |
| UL 90-100 | 0 | 0.1% |
| UH 100-180 | 432 | 50.1% |
| Total | 864 | 100.0% |
| BUG Rating | B1-U3-G0 | |



PFX-3157-UPDN-201712L-3CCT

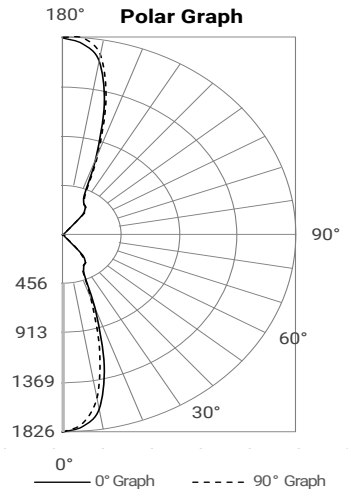
Luminaire Data

| Description | Up Down Wall Cylinder Lumen and Kelvin Select |
|-----------------------------|---|
| Total Lumens | 1,959 |
| Input Wattage | 20 |
| Efficacy (lm/W) | 99 |
| Max. Cd. | 1843.6 (67.5H, 177V) |
| IES Classification | N.A. |
| Longitudinal Classification | N.A. |

Photometrics calculated at 4000k and highest lumen setting.

Luminaire Classification Systems (LCS)

| LCS Zone | Lumens | %Lum |
|--------------|--------------|---------------|
| FL 0-30 | 353 | 18.0% |
| FM 30-60 | 133 | 6.8% |
| FH 60-80 | 13 | 0.6% |
| FVH 80-90 | 6 | 0.3% |
| BL 0-30 | 332 | 17.0% |
| BM 30-60 | 125 | 6.4% |
| BH 60-80 | 12 | 0.6% |
| BVH 80-90 | 6 | 0.3% |
| UL 90-100 | 12 | 0.6% |
| UH 100-180 | 967 | 49.4% |
| Total | 1,959 | 100.0% |
| BUG Rating | B1-U4-G0 | |



PFX-3157-UPDN-302722L-3CCT

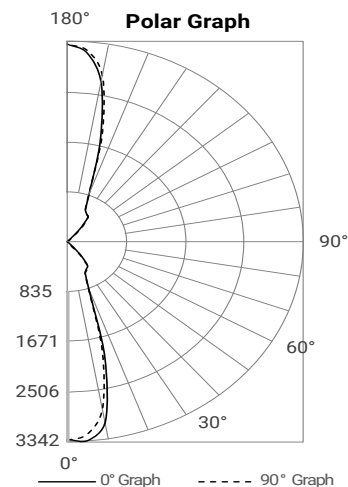
Luminaire

| Description | Up Down Wall Cylinder Lumen and Kelvin Select |
|-----------------------------|---|
| Total Lumens | 2,912 |
| Input Wattage | 34 |
| Efficacy (lm/W) | 85 |
| Max. Cd. | 3358.3 (337.5H, 6V) |
| IES Classification | Type VS |
| Longitudinal Classification | Very Short |

Photometrics calculated at 4000k and highest lumen setting.

Luminaire Classification Systems (LCS)

| LCS Zone | Lumens | %Lum |
|--------------|--------------|---------------|
| FL 0-30 | 553 | 19.0% |
| FM 30-60 | 180 | 6.2% |
| FH 60-80 | 4 | 0.1% |
| FVH 80-90 | 1 | 0.0% |
| BL 0-30 | 536 | 18.4% |
| BM 30-60 | 178 | 6.1% |
| BH 60-80 | 5 | 0.2% |
| BVH 80-90 | 1 | 0.0% |
| UL 90-100 | 1 | 0.0% |
| UH 100-180 | 1,454 | 49.9% |
| Total | 2,912 | 100.0% |
| BUG Rating | B2-U5-G0 | |



Disclaimer:

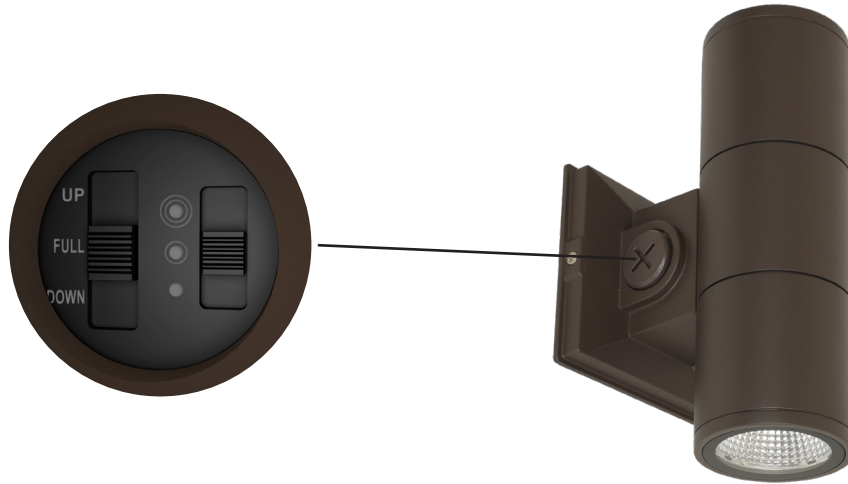
Due to the rapid pace of technology change in the Lighting industry, the Information and Data presented in this spec sheet is for reference purposes only, please confirm with PARAFLEX at the time of finalizing the order or design. PARAFLEX does not warrant or represent that the information is free from errors or omission. The information may change without notice and PARAFLEX is not in any way liable for the accuracy of any information printed and stored or in any way interpreted or used.

PFX-3157
Cylinder Wallpack Up/Down



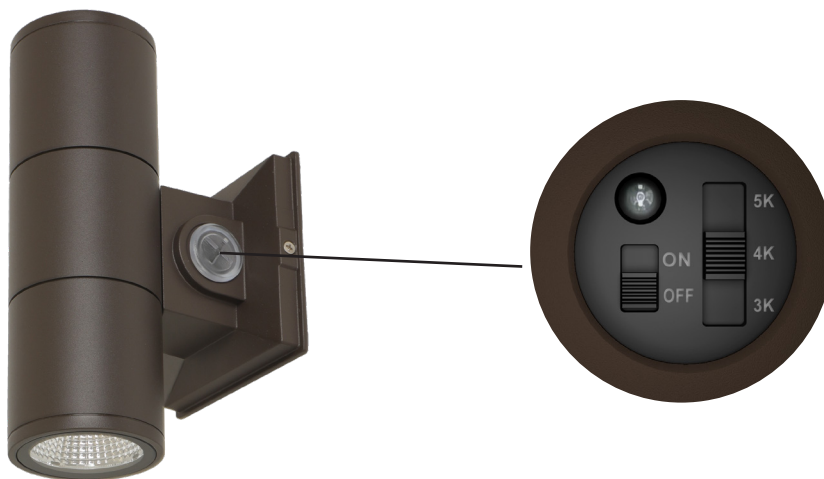
DIP switch for Wattage & Light option

Factory default setting :
Wattage: High Power
Light option: FULL



DIP switch for CCT and Photocell

Factory default setting :
CCT: 4000K
Photocell: OFF



Disclaimer:
Due to the rapid pace of technology change in the Lighting industry, the Information and Data presented in this spec sheet is for reference purposes only, please confirm with PARAFLEX at the time of finalizing the order or design. PARAFLEX does not warrant or represent that the information is free from errors or omission. The information may change without notice and PARAFLEX is not in any way liable for the accuracy of any information printed and stored or in any way interpreted or used.