

PFX-3515
DOCK LIGHT



FEATURES

HEAVY-DUTY HOUSING

The PFX-3515 is Impact & weather resistant fixture with die cast housing and tempered glass lenses

WET LOCATION, IP-65 RATED

Engineered and Constructed for Exterior Environments

EASY TO INSTALL MOUNTING

The PFX-3515 has optional wall mount arm with length 42"

INDIVIDUAL OPTICS FOR CONTROLLED BEAM

HIGH QUALITY CHIP AND DRIVER AT 5 YEAR WARRANTY

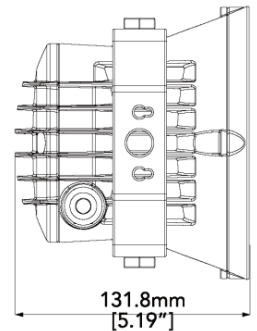
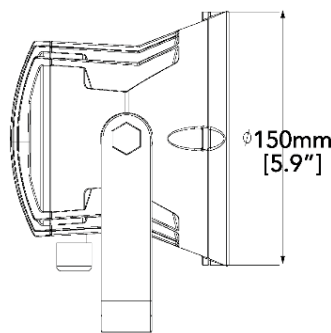
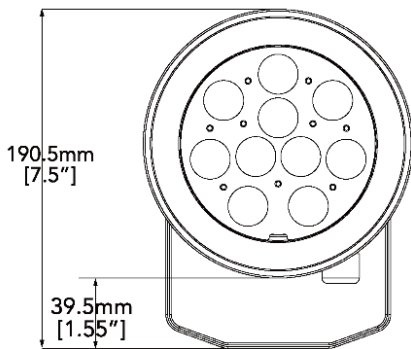
120V STANDARD

OPERATING TEMPERATURE -30C TO 40C

PRODUCT APPLICATIONS

Dock Area
Tunnels

DIMENSION (INCHES)



ORDERING GUIDE

Sample Part PFX-3515-23W-40K-V7-YE-WG

MODEL	WATTAGE	COLOR TEMPERATURE (CCT)	VOLTAGE	HOUSING COLOR	OPTIONS & ACCESSORIES
PFX-3515	23W 23 WATTS	40K 4000K-NEUTRAL WHITE	V7 120 VOLTS	YE YELLOW	WG WIRE GUARD ST STANDARD ARM 42" DOCK LIGHT ARM

Disclaimer:

Due to the rapid pace of technology change in the Lighting industry, the Information and Data presented in this spec sheet is for reference purpose the order or design. PARAFLEX does not warrant or represent that the information is free from errors or omission. The information may change without notice and PARAFLEX is not in any way liable for the accuracy of any information printed and stored or in any way interpreted or used.

PFX-3515

DOCK LIGHT

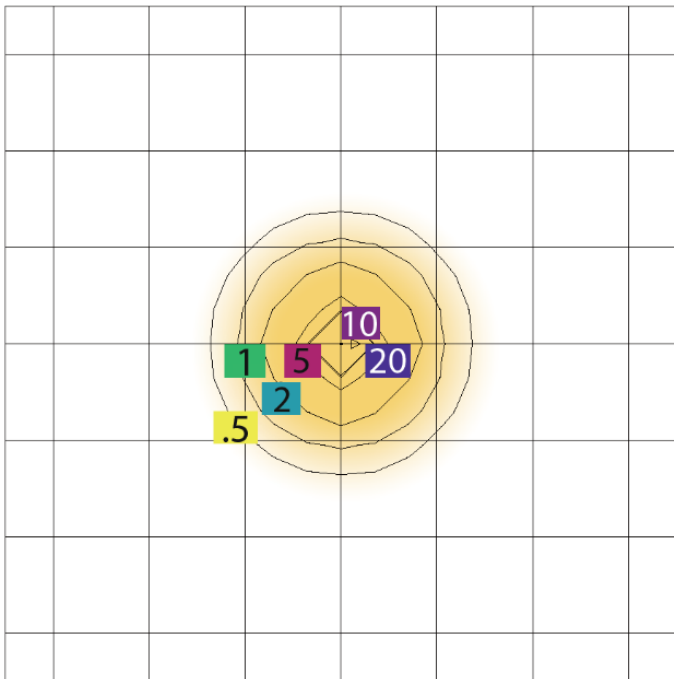


PRODUCT SPECIFICATIONS

SYSTEM WATTAGE	LUMENS	EFFICACY	INPUT VOLTAGE	CCT	CRI	WEIGHT	AMBIENT TEMP.	LED PERFORMANCE
23W	2900LM	UP TO 126 LPW	120V	4000K	>70	3.85lbs	-30 - 40°C	L70 > 5000h

PHOTOMETRY

PFX-3515-23W-2HX2V
Mounting Height = 10.00FT



SCALE: 1 INCH = 10FT.
LIGHT LOSS FACTOR = 1.00

MAXIMUM CALCULATED VALUE=237.42 FC
FOOT CANDLE = .5 1 2 5 10 20

MOUNTINGS/ ACCESSORIES



DOCK LIGHT ARM 42"

Disclaimer:

Due to the rapid pace of technology change in the Lighting industry, the Information and Data presented in this spec sheet is for reference purpose the order or design. PARAFLEX does not warrant or represent that the information is free from errors or omission. The information may change without notice and PARAFLEX is not in any way liable for the accuracy of any information printed and stored or in any way interpreted or used.