

PFX-3153

LED Cylinder Light Power and CCT Selectable



INTRODUCTION

- The PFX-3153 Cylinder Light is a contemporary, stylish lighting solution that seamlessly blends architectural sophistication with practical functionality. Its sleek, cylindrical design offers both aesthetic appeal and efficient performance.
- The fixture provides a range of customizable options, including selectable wattage, color temperature (CCT), light distribution, and adjustable lighting direction, allowing for easy adaptation to various environments and lighting requirements.
- Equipped with a standard photocell, it ensures effortless control of lighting conditions while optimizing energy efficiency.
- Ideal for a wide range of applications—such as building entrances, walkways, stairwells, bridges, exterior facades, conference rooms, and auditoriums—the PFX-3153 Cylinder Light strikes the perfect balance between design, functionality, and exceptional illumination.



20WS
Wattage Selectable



38WS
Wattage Selectable

PRODUCT SPECIFICATION

Construction:

- Heavy-gauge aluminum housing.

Optics:

- CCT Selectable 3000K, 4000K and 5000K (Default setting)
- Proprietary optics delivers a true uniform, batwing distribution. Narrow and Wide distribution selectable.

Electrical:

- Equipped with a 0-10V dimmable driver; however, the dimming wires are already occupied and cannot be used for external dimmer control.
- Input voltage 120-277Vac and 50/60Hz.

Finish:

- Dark bronze color is standard, White, Black and color are available.

Mounting:

- Wall mount is suitable for indoor or outdoor applications and easy to modify.

Ambient Temperature:

- 40°F (-40°C) to 122°F (50°C)

Compliances:

- cULus listed for wet locations.

Warranty:

- 5-year limited warranty.

ORDERING GUIDE

Example: PFX-3153-38WS-CSA-LV-DC

Model	Wattage XXWS	CCT Selectable	Input Voltage	Finish YY
PFX-3153	20WS 20W/16W/10W	CSA 3000/4000/5000K Note: CSA CCT Selectable	LV 120-277VAC	DC Dark Bronze BC Black WC White
	38WS 38W/31W/19W			
Note: WS=Wattages Selectable				

Disclaimer:

Due to the rapid pace of technology change in the Lighting industry, the Information and Data presented in this spec sheet is for reference purposes only, please confirm with PARAFLEX at the time of finalizing the order or design. PARAFLEX does not warrant or represent that the information is free from errors or omission. The information may change without notice and PARAFLEX is not in any way liable for the accuracy of any information printed and stored or in any way interpreted or used.

PFX-3153

LED Cylinder Light Power and CCT Selectable



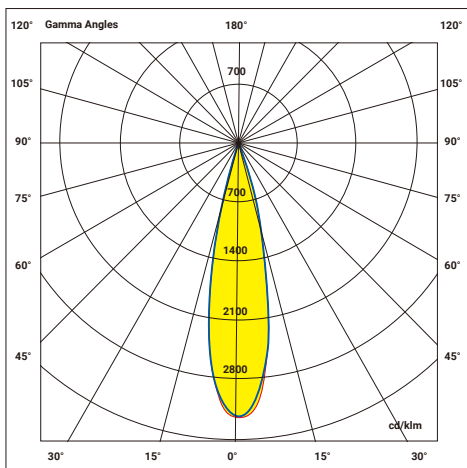
PERFORMANCE DATA

Model	Wattage	Wattage Selectable	Nominal CCT	CCT Selectable	Full Lighting Total		Up or Down Lighting	
					Lumens	LPW	Lumens	LPW
PFX-3153	20	Yes	3000	Yes	2,581	125	1,258	125
			4000		2,814	137	1,445	136
			5000		2,627	128	1,287	127
	16		3000		2,117	128	1,075	127
			4000		2,249	139	1,127	138
			5000		2,204	131	1,105	132
	10		3000		1,381	131	642	130
			4000		1,441	140	687	139
			5000		1,428	136	665	136
	38	Yes	3000	Yes	4,939	128	2,443	128
			4000		5,512	144	2,740	144
			5000		5,174	134	2,557	134
	31		3000		4,169	133	2,049	132
			4000		4,574	147	2,162	146
			5000		4,395	140	2,116	139
	19		3000		2,680	139	1,316	139
4000			2,886		151	1,427	150	
5000			2,828		147	1,373	144	

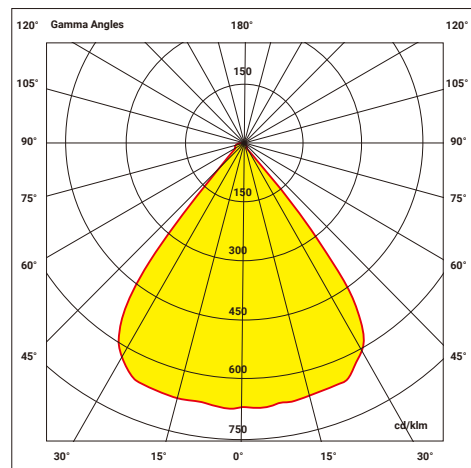
Note: When adjusted to only single-sided lighting, the power is halved

PHOTOMETRICS

Note: Narrow and Wide distribution can be selected via the switch.



Narrow



Wide

Disclaimer:
Due to the rapid pace of technology change in the Lighting industry, the Information and Data presented in this spec sheet is for reference purposes only, please confirm with PARAFLEX at the time of finalizing the order or design. PARAFLEX does not warrant or represent that the information is free from errors or omission. The information may change without notice and PARAFLEX is not in any way liable for the accuracy of any information printed and stored or in any way interpreted or used.

PFX-3153

LED Cylinder Light Power and CCT Selectable



ELECTRICAL DATA

Model Series	Wattage(W)	Current (A)				
		Input Voltage (V)				
		120	208	240	277	347
PFX-3153	10	0.09	0.06	0.05	0.04	0.03
	16	0.15	0.09	0.07	0.06	0.05
	20	0.19	0.11	0.09	0.08	0.06
	19	0.18	0.11	0.09	0.08	0.06
	31	0.29	0.17	0.14	0.12	0.10
	38	0.35	0.21	0.18	0.15	0.12

VERSATILE SELECTION CAPABILITY

CCT Setting

Adjust CCT between 3000/4000/5000K, 5000K default setting

3000K 1
4000K 2
5000K 3

Distribution Setting

Switch	Distribution Selection	Default Setting
1	Full & Narrow Light	Full & Narrow Light
2	Up & Narrow + Down & Wide Light	
3	Up & Wide + Down & Narrow Light	
4	Full & Wide Light	

Power Setting

L1 Up
L2 Full
L3 Down

Product Size	Power Selection (L1/L2/L3)	Default setting
Size 1	Adjust power between 20/16/10W	20W default setting
Size 2	Adjust power between 38/31/19W	38W default setting

Direction Setting

Adjust direction among Up/Full/Down, Full light default setting

Note: When adjusted to only single-sided lighting, the power is halved.

Disclaimer:
Due to the rapid pace of technology change in the Lighting industry, the Information and Data presented in this spec sheet is for reference purposes only, please confirm with PARAFLEX at the time of finalizing the order or design. PARAFLEX does not warrant or represent that the information is free from errors or omission. The information may change without notice and PARAFLEX is not in any way liable for the accuracy of any information printed and stored or in any way interpreted or used.

PFX-3153

LED Cylinder Light Power and CCT Selectable



ACCESSORIES

Control Options

Comes as standard



PC-B
Photocell-With Sunshade Cover
(Remove the cover cap to enable the photocell function.)

Emergency Battery Backup

Factory-Installable OR Field-Installable (field-installable purchased separately)

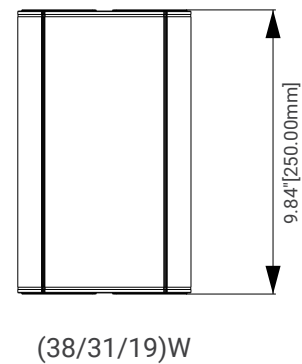
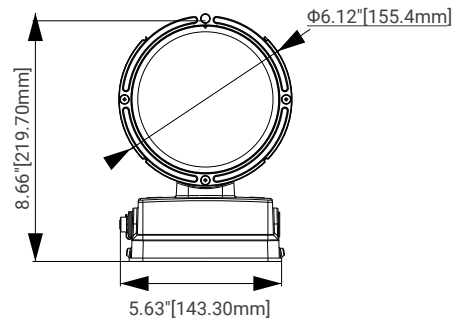
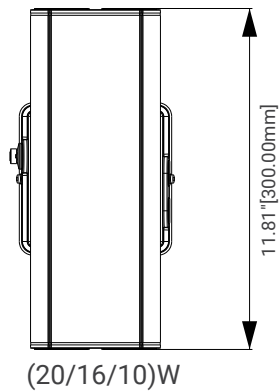
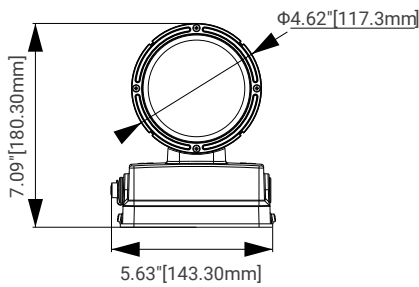


Emergency test button and indicator



XEBB27-4WDC Emergency Battery Backup
EMY-04150DO-
UH-4W/90min AC 120-277VAC

DIMENSIONS



Disclaimer:
Due to the rapid pace of technology change in the Lighting industry, the Information and Data presented in this spec sheet is for reference purposes only, please confirm with PARAFLEX at the time of finalizing the order or design. PARAFLEX does not warrant or represent that the information is free from errors or omission. The information may change without notice and PARAFLEX is not in any way liable for the accuracy of any information printed and stored or in any way interpreted or used.