

## INSTALLATION INSTRUCTION SHEET

### PFX-3515 DOCK LIGHT

#### MOUNTING

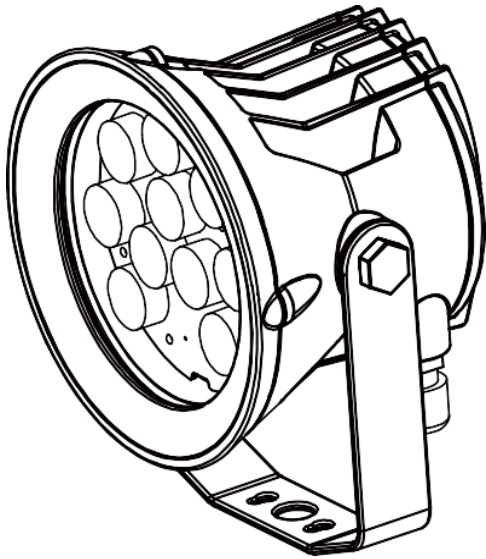
##### (1) Mounting with Arm 42"

NOTE: This fixture is intended for 120V operation only.

1. Attach fixture to arm using bolt and nut provided. Make sure the provided washer is positioned between the fixture yoke and the arm to allow for easy rotation of the fixture. See Figure 2.
2. Insert plug on end of fixture cord into receptacle on arm.
3. Plug cord on arm into 120V grounded receptacle.
4. Fixture can be powered on and off using switch on arm.
5. Rotate fixture arm and rotate/tilt fixture head to illuminate desired area.

##### (2) Mounting without Arm

1. Attach fixture to the wall or ceiling using suitable screw(not provided).
2. Insert plug into the receptacle on the wall.
3. Tilt fixture to illuminate the desired area.



#### ARM MOUNTING INSTALLATION 42"

1. Attach arm to desired mounting surface using (4) bolts appropriate for surface. See Figure 1.

FIGURE 1

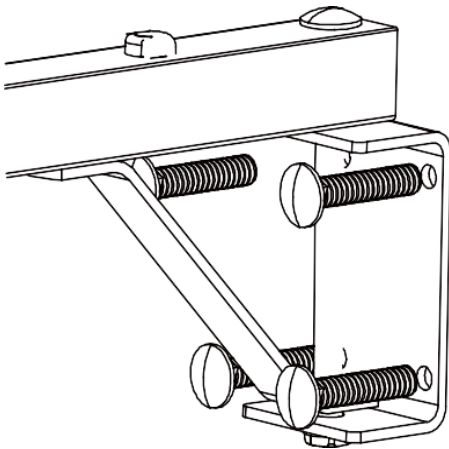
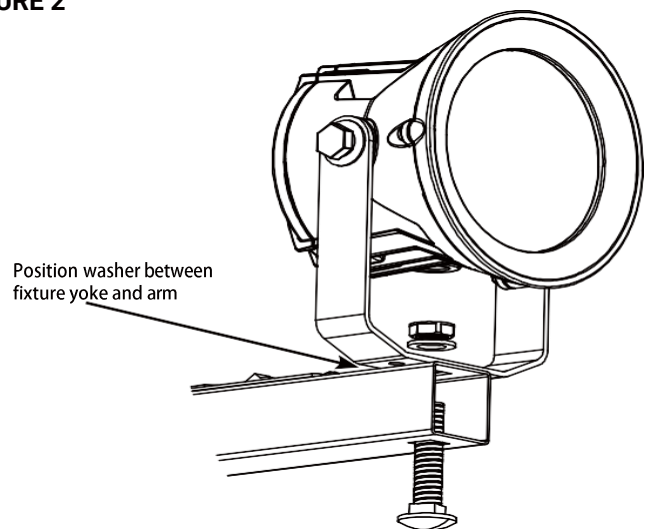


FIGURE 2



## INSTALLATION INSTRUCTION SHEET

### PFX-3515 DOCK LIGHT

#### CAUTIONS

THIS PRODUCT MUST BE INSTALLED IN ACCORDANCE WITH THE APPLICABLE INSTALLATION CODE BY A PERSON FAMILIAR WITH THE CONSTRUCTION AND OPERATION OF THE PRODUCT AND THE HAZARDS INVOLVED ; CE PRODUIT DOIT ÊTRE INSTALLÉ SELON LE CODE D'INSTALLATION PERTINENT, PAR UNE PERSONNE QUI CONNAÎT BIEN LE PRODUIT ET SON FONCTIONNEMENT AINSI QUE LES RISQUES INHÉRENTS PERTINENT, PAR UNE PERSONNE QUI CONNAÎT BIEN LE PRODUIT ET SON FONCTIONNEMENT AINSI QUE LES RISQUES INHÉRENTS

1. Please read and understand this entire manual before attempting to assemble, install, or operate this light fixture.
2. This light fixture requires a 120 Volt AC power source.
3. Some codes require installation by a qualified electrician.
4. This light fixture must be properly grounded.
5. Make sure connections are secure using included Wago connector, crimp-on lugs or other UL approved connecting devices.
6. MIN 75°C SUPPLY CONDUCTORS. (LES FILS D'ALIMENTATION 75°C MIN).
7. Before installation or servicing, turn the power OFF at the circuit breaker or fuse. Place tape over the circuit breaker switch and verify power is OFF at the light fixture.

**SAVE THESE INSTRUCTIONS**

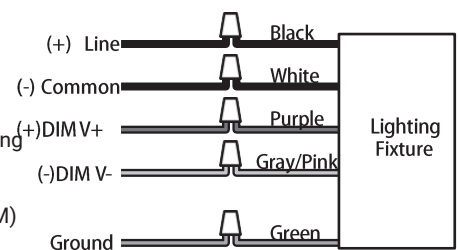
**FOR FUTURE REFERENCE**

#### WIRING

Connect lighting fixture black wire to junction box black wire (line), lighting fixture white wire to junction box white wire (common), and the lighting fixture green wire to the junction box ground wire.

For dimming, available when wiring to a 0-10V dimmer, connect the lighting fixture purple wire to the dimmer switch purple wire (+ DIM) and the lighting fixture gray/pink wire to the dimmer switch gray wire (- DIM).

#### 0-10V Dimming Wiring Diagram



#### CARE AND CLEANING

1. Shut off the main power supply before cleaning the product. To prolong the original appearance, clean the light fixture with clear water and a soft, damp cloth only.
2. Do not use abrasive cleaners or cleaners that contain alcohol. Do not apply paints, solvents, or any other chemicals on this light fixture. They could cause a premature deterioration of the finish and may void the warranty. Do not spray the light fixture with a hose or power washer.