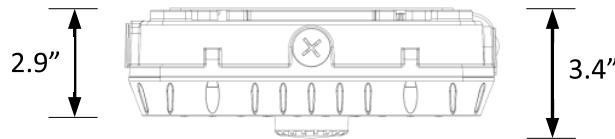
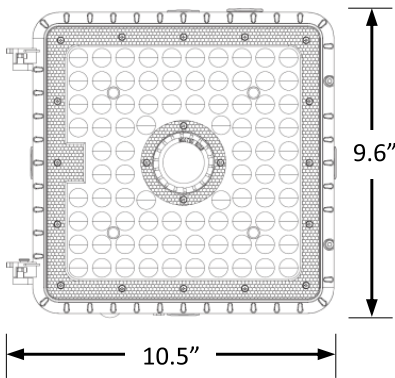


PFX-3613

CANOPY



DIMENSION (INCHES)



Weight: 5 lbs.

FEATURES

- Field selectable 3000k (warm white), 4000k (neutral white), and 5000k (cool white) color temperatures.*
- Long-life LEDs provide 149,000 hours of operation with at least 70% of initial lumen output (L70), and 44,000 hours with at least 90% of initial lumen output (L90).**
- LED chromaticity based on < 6-step ANSI quadrangles.
- LED color maintenance < 0.002 chromaticity shift ($\Delta u'v'$) over the initial 6,000 hours of operation.
- PFX-3613 provides a range of 6,800 to 10,500 nominal lumens.*
- Universal 120-277 AC voltage (50-60Hz) is standard.
- 0-10vdc dimming drivers are standard.
- Mounting options include surface-mounting and pendant-mounting using 3/4" electrical conduit.
- Optional occupancy/daylight sensor provides both on/off and dimming functions.
- Power factor > 0.90.
- Total harmonic distortion < 20%.
- Color rendering index > 80.
- Die cast aluminum housing with dark bronze or white powder coat finish.
- Polycarbonate lens.
- Easy installation in new construction or retrofit.

ORDERING GUIDE

Sample Part PFX3613-CP-10L-LKFS-ODS-WHT

Series	Nominal Lumen Output (Selectable)		Kelvin Selectable	Occupancy Sensor		Housing Color		Accessories (Order Separately)	
	10L	10,000/8,000/7,000		Blank	No sensor	BRZ	WHT	MWAVEDHS-REM	Sensor remote control
PFX-3613 CP			LKFS 3000k/4000k/5000k	ODS ^{1 2 3}	Microwave occupancy, dimming, & daylight sensor (factory installed)	BRZ	Bronze	MWAVEDHS-REM	Sensor remote control
						WHT	White		

Disclaimer:

Due to the rapid pace of technology change in the Lighting industry, the Information and Data presented in this spec sheet is for reference purpose the order or design. PARAFLEX does not warrant or represent that the information is free from errors or omission. The information may change without notice and PARAFLEX is not in any way liable for the accuracy of any information printed and stored or in any way interpreted or used.

PFX-3613

CANOPY



ELECTRICAL DATA

Series	Measurements	Low Lumens			Mid Lumens			High Lumens		
		3000K	4000K	5000K	3000K	4000K	5000K	3000K	4000K	5000K
PFX-3613 CP-10L-LKFS	Lumens	6821	6962	7228	7800	8248	8312	9297	10,506.9	967
	Watts	48	43	47.5	7	51	57	73	69.7	3
	Efficacy	143	163	152	137	161	147	127	152	136
	Input Current (A)	120V = 0.40A 1 20V = 0.36A 120V = 0.39A	120V = 0.48A 1 20V = 0.43A 120V = 0.48A	120V = 0.61A 1 20V = 0.58A 120V = 0.61A						
240V = 0.20A 2 40V = 0.18A 240V = 0.20A		240V = 0.24A 2 40V = 0.21A 240V = 0.24A	240V = 0.30A 2 40V = 0.29A 240V = 0.30A							
277V = 0.17A 2 77V = 0.16A 277V = 0.17A		277V = 0.21A 2 77V = 0.18A 277V = 0.21A	277V = 0.26A 2 77V = 0.25A 277V = 0.26A							

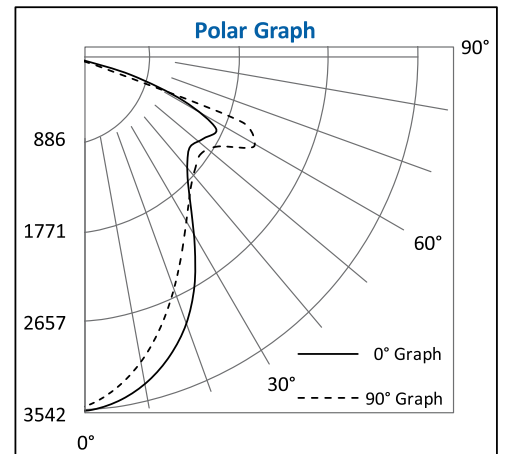
PHOTOMETRIC DATA

PFX-3613-CP-10L-LKFS Luminaire Data

Description	Canopy 10L 5K - LKFS
Total Lumens	9,993
Input Wattage	73
Efficacy (lm/W)	137
Spacing Criterion (0-180°)	1.14
Spacing Criterion (90-270°)	1.04

Zonal Lumen Summary

Zone	Lumens	%Fixt
0-20°	1,245	12.5%
0-30°	2,530	25.3%
0-40°	3,946	39.5%
20-50°	4,143	41.5%
40-70°	4,839	48.4%
0-60°	6,942	69.5%
0-80°	9,872	98.8%
0-90°	9,993	100.0%
90-180°	0	0.0%
0-180°	9,993	100.0%



Disclaimer:

Due to the rapid pace of technology change in the Lighting industry, the Information and Data presented in this spec sheet is for reference purpose the order or design. PARAFLEX does not warrant or represent that the information is free from errors or omission. The information may change without notice and PARAFLEX is not in any way liable for the accuracy of any information printed and stored or in any way interpreted or used.