

PFX-XXXX

Gooseneck LED Light



DESCRIPTION

LEDSON new Gooseneck Light is a unique decorative lighting fixture that allows you to update the look of your building. Elegant and curved goose neck arm, simple and low-key appearance design, can be well applied to a variety of architectural styles. Installation is quick and easy, and the 28W has a strong function that can support 5 color temperature adjustment. Actual performance may differ as a result of end-user environment and application. All values are design or typical values, measured under laboratory conditions at 25°C(±5°C) specifications subject to change without notice.



FEATURES

Construction

- Durable surface coating powder spraying can extend the durability of the fixture
- The integrated shell design can make good use of a variety of wet location environments.

Optical System

- General distribution type for most environments.
- Scalable Lumen Packages from 1000 to 3000 Lumens.
- The use of advanced refraction and reflection optical design concepts provides an optimal combination of vertical and horizontal illumination.

LED Module

- the 28W offers Selectable CCTs, can be adjusted to be 2700K/3000K/ 4000K/5000K/6500K.

Electrical

- Universal Voltage 120-277VAC for the 28W model.
- 28W supports the standard 0-10V dimming driver configuration
- Power factor >90%, THD <20%
- Operating Temperature Range: -40°C to 40°C (-40°F - + 104°F).

Control

- Integrated Photocell included.

Installation and Mounting

- Wall mount.

Lifespan

- Estimated 50,000-hour LED lifespan based on IES LM-80 results and TM-21 calculations.

Warranty

- Five-year limited warranty

Certifications

- UL cUL wet location pending.

Disclaimer:

Due to the rapid pace of technology change in the Lighting industry, the Information and Data presented in this spec sheet is for reference purposes only, please confirm with PARAFLEX at the time of finalizing the order or design. PARAFLEX does not warrant or represent that the information is free from errors or omission. The information may change without notice and PARAFLEX is not in any way liable for the accuracy of any information printed and stored or in any way interpreted or used.

PFX-5217

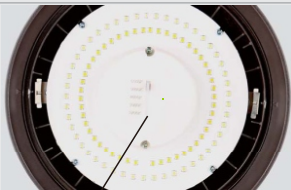
Explosion Proof LED Luminaires



PERFORMANCE

Model NO	Power Factor	Wattage	Voltage/Current Input		Light Efficiency	Kelvin Options
			120V	277V		
PFX-GB02-80	>0.9	28W	0.23A	0.1A	110LM/W	2700K/3000K/4000K/5000K/6500K

Special Function



6500K
5000K
4000K
3000K
2700K

CCT SELECTABLE

28W model has the function of field configurable CCTs.

CCT SELECT



Five CCTs adjustable (2700K, 3000K, 4000K, 5000K, 6500K)

PRODUCT ORDERING GUIDE

MGN0128W27VDDKDPA

D 1 3 4
 MGN01 28W 27V DDKDPA
 D

MGN01 Company name

28W Power28 W

27V 120-277VAC

PERFORMANCE DATA

Specification/Model	MGN0128W27VDDKDPAD
LED Driver	UL Driver
Inputpower	28W
Lumensoutput	5330LM
Eciency	110LM/W
CRI	>80
ColorTemperature	2700K/3000K/4000K/5000K/6500K
Inputvoltage	120-277V/AC
Lightdistributiontype	120D
Workingtemperature	-8+60°C
Junctiontemperature	<5°C
lampseiciency	≥9%
Certificate	UL CUL DLC
Equivalent	40-120WMH/HPS

Disclaimer:

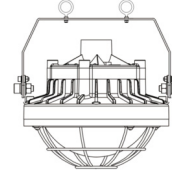
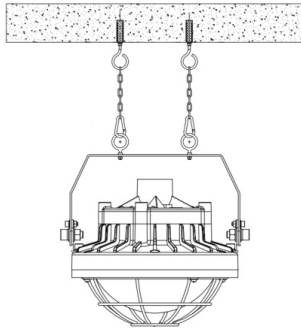
Due to the rapid pace of technology change in the Lighting industry, the Information and Data presented in this spec sheet is for reference purposes only, please confirm with PARAFLEX at the time of finalizing the order or design. PARAFLEX does not warrant or represent that the information is free from errors or omission. The information may change without notice and PARAFLEX is not in any way liable for the accuracy of any information printed and stored or in any way interpreted or used.

PFX-5217

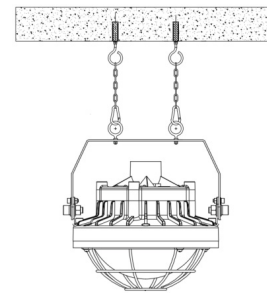
Explosion Proof LED Luminaires



■ Drop mount :



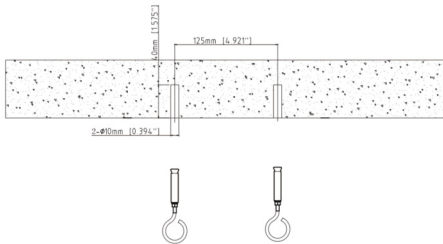
Step4: Use M6 size lifting eye to install on U-bracket.



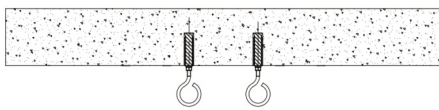
Step5: Hang the lamp on the stainless steel chain.

Installation steps (Drop mount) :

Use two M6×90 expansion screws with hooks to fix on the ceiling, and connect the U bracket through the iron chain See Steps.



Step 1: Open two holes in the wall according to the size in the picture.

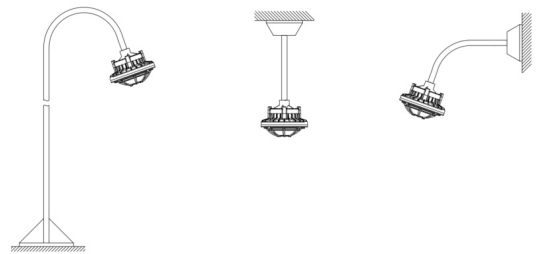


Step 2: Install the expansion screws with hooks in the holes

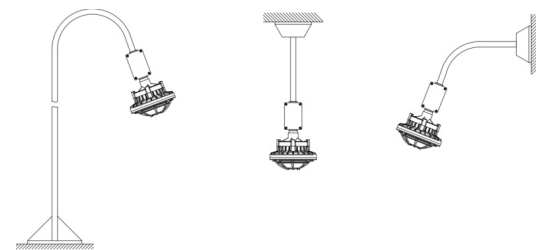


Step 3: Install Ø4 size stainless steel circular chain on the hooks

■ Pole Mount :



Pole Mount (Without junction box)



Pole Mount (With junction box)

Disclaimer:
Due to the rapid pace of technology change in the Lighting industry, the Information and Data presented in this spec sheet is for reference purposes only, please confirm with PARAFLEX at the time of finalizing the order or design. PARAFLEX does not warrant or represent that the information is free from errors or omission. The information may change without notice and PARAFLEX is not in any way liable for the accuracy of any information printed and stored or in any way interpreted or used.

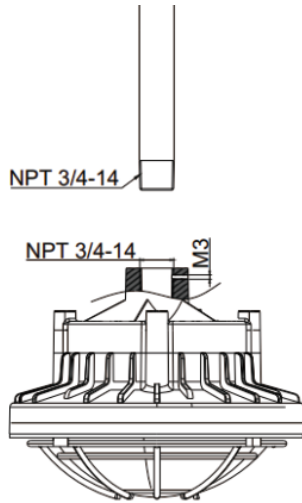
PFX-5217

Explosion Proof LED Luminaires

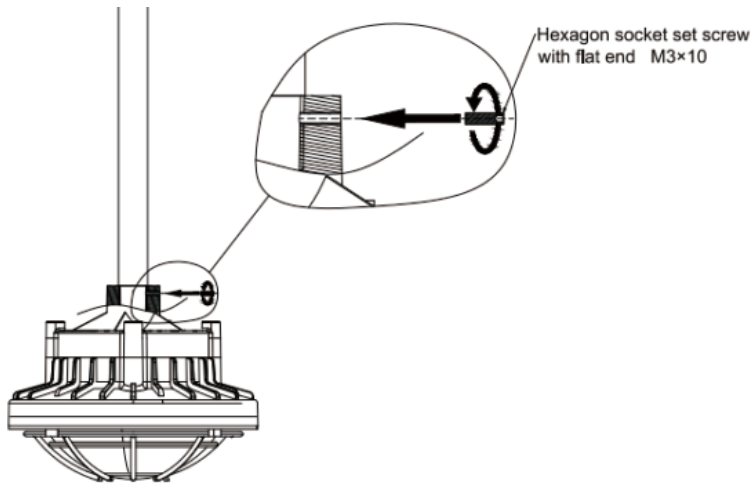


Installation steps (Pole mount):

Use the NPT3/4-14 conduit to connect with the cable entry of CES-EX-GB-02, and use an M3 bolt to lock the thread to ensure that the thread is not loose. See Steps.



Step1 : Rotate the NPT3/4-14 conduit into the cable entry of CES-GB02-80



Step2 Fasten the conduit with an M3 bolt. Figure 6 Pole Mounting

Disclaimer:
Due to the rapid pace of technology change in the Lighting industry, the Information and Data presented in this spec sheet is for reference purposes only, please confirm with PARAFLEX at the time of finalizing the order or design. PARAFLEX does not warrant or represent that the information is free from errors or omission. The information may change without notice and PARAFLEX is not in any way liable for the accuracy of any information printed and stored or in any way interpreted or used.