

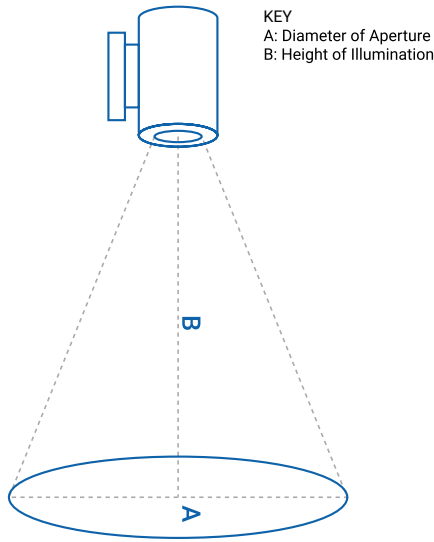
PFX-3102

CYLINDER SCONCE



DIAGRAMS

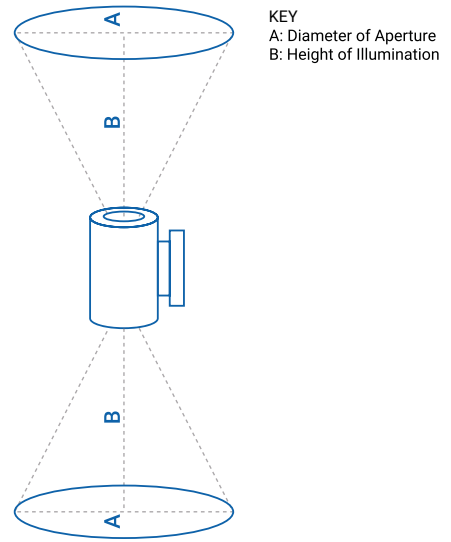
PFX-3102-S



APPLICATION SUGGESTION

Power	AB
9W - 12W	4ft 20ft ~ 27ft
18W	6ft 27ft ~ 33ft
24W	6.5ft 43ft ~ 50ft
36W	8.3ft 55ft ~ 60ft

PFX-3102-D



APPLICATION SUGGESTION

Power	AB
18W - 24W	4ft 20ft ~ 27ft
36W	6ft 27ft ~ 33ft
48W	6.5ft 43ft ~ 50ft
72W	8.3ft 55ft ~ 60ft

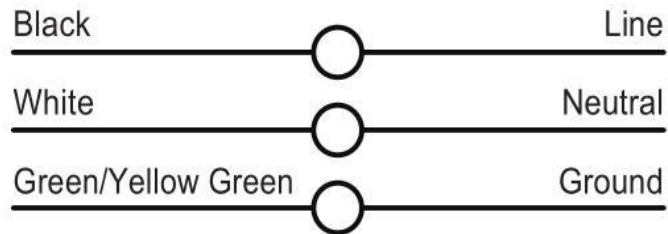
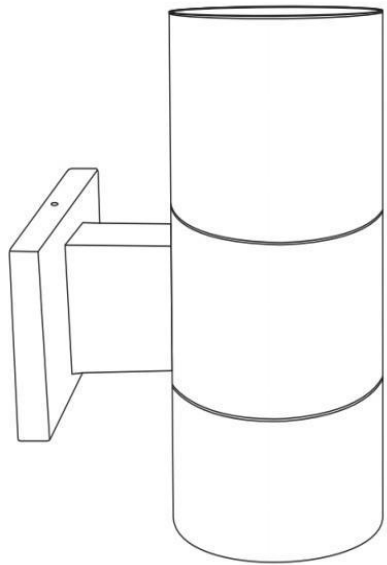
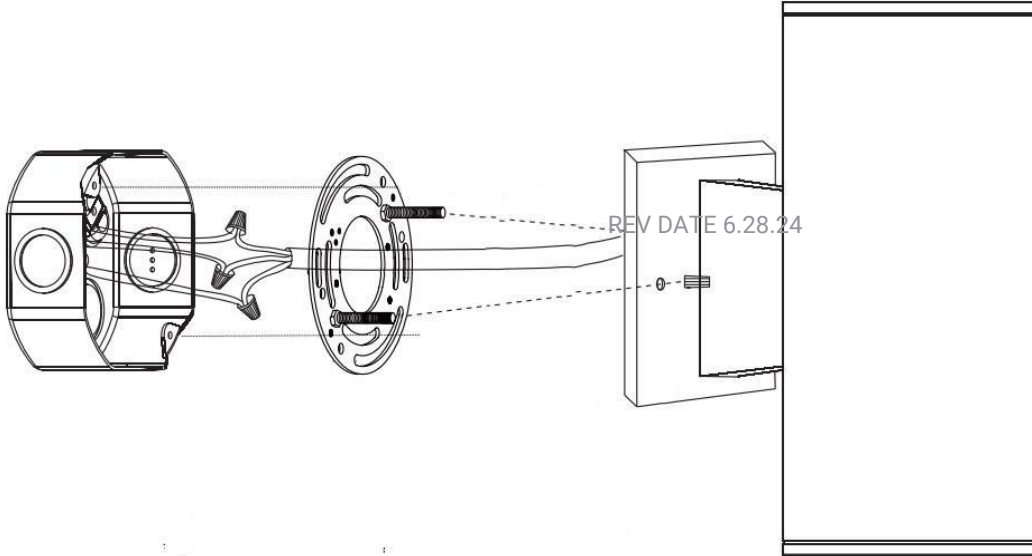
ITEM	SPECIFICATION	DETAILS				
GENERAL PERFORMANCE	Input Power (W)	9W	12W	18W	24W	36W
	Lumens Delivered (lm) at 4000K	772	972	1781	2144	3105
	Efficacy (lm/W)	80	80	86	88	89
	CRI	≥80				
	Lumen Maintenance (L70, TM-21 @ 25°C)	L90 > 36,000 hours L70 ≥ 50,000 hours				
	Color Consistency	Proprietary binning for uniform color				

Disclaimer:
Due to the rapid pace of technology change in the Lighting industry, the Information and Data presented in this spec sheet is for reference purpose the order or design. PARAFLEX does not warrant or represent that the information is free from errors or omission. The information may change without notice and PARAFLEX is not in any way liable for the accuracy of any information printed and stored or in any way interpreted or used.

PFX-3102
CYLINDER SCONCE



INSTALLATION



Warning:

To prevent personal injury or product damage only licensed electricians should install.
 To avoid electric shock or component damage disconnect power before attempting installation or servicing.
 This product must be installed in accordance with the national electric code (NEC) and all applicable federal, state and local electric codes and safety standards.
 Any alteration or modification of this product is expressly forbidden as it may cause serious personal injury, death, property damage and/or product malfunction.
 To prevent product malfunction and/or electrical shock this product must be properly grounded.
 This luminaire is designed to operate in ambient temperatures ranging from -20°C to 45°C.

Disclaimer:
 Due to the rapid pace of technology change in the Lighting industry, the Information and Data presented in this spec sheet is for reference purposes only, please confirm with PARAFLEX at the time of finalizing the order or design. PARAFLEX does not warrant or represent that the information is free from errors or omission. The information may change without notice and PARAFLEX is not in any way liable for the accuracy of any information printed and stored or in any way interpreted or used.