



## Applications:

Suitable for commercial, retail and institutional applications including gymnasiums, factories and warehouses.

## Features

- Sealed die-casting profile for indoor and outdoor applications.
- 0-10V dimming standard for a dimming range of 100% to 0%.
- Best choice for replacing 250W MH and 400W MH.
- Increase energy savings with optional sensors.
- 97&215W optional for CCT dial (4000K/5000K).
- Operating temperature is -40°C to 50°C (-40°F to 122°F).
- Hook mount, pendant mount and surface mount available.



97W



215W



<div data-bbox="165 1525 320 1682" data-label="Image"> </div> <div data-bbox="119 1700 368 1794" data-label="Text"> <p><b>CCT&amp;Power regulator</b> Offer four selectable lumen output (40%/60%/80%/100%) and two CCTs(40&amp;50K)</p> </div> <div data-bbox="119 1865 320 1939" data-label="Text"> <p><b>Build-in sensor(optional)</b> Microwave sensor allows for security and energy saving.</p> </div> <div data-bbox="119 1973 320 2123" data-label="Image"> </div> <div data-bbox="427 1541 719 1659" data-label="Text"> <p><b>Installation accessory</b> Available for both hook mounting and surface mounting with bracket(optional). Bracket allows to adjust the direction to illuminate any area you need.</p> </div> <div data-bbox="359 1700 746 1928" data-label="Image"> </div> <div data-bbox="608 1939 655 1966" data-label="Caption"> <p>97W</p> </div>	<div data-bbox="869 1541 1161 1659" data-label="Text"> <p><b>Installation accessory</b> Available for both hook mounting and surface mounting with bracket(optional). Bracket allows to adjust the direction to illuminate any area you need.</p> </div> <div data-bbox="1268 1570 1423 1727" data-label="Image"> </div> <div data-bbox="1220 1749 1469 1843" data-label="Text"> <p><b>CCT&amp;Power regulator</b> Offer four selectable lumen output (40%/60%/80%/100%) and two CCTs(40&amp;50K)</p> </div> <div data-bbox="826 1715 1185 1928" data-label="Image"> </div> <div data-bbox="914 1939 962 1966" data-label="Caption"> <p>215W</p> </div> <div data-bbox="1257 1966 1469 2040" data-label="Text"> <p><b>External sensor(optional)</b> Microwave sensor allows for security and energy saving.</p> </div> <div data-bbox="1082 2022 1193 2096" data-label="Image"> </div>
---	--

# ADJUSTABLE LUMEN OUTPUT TABLE

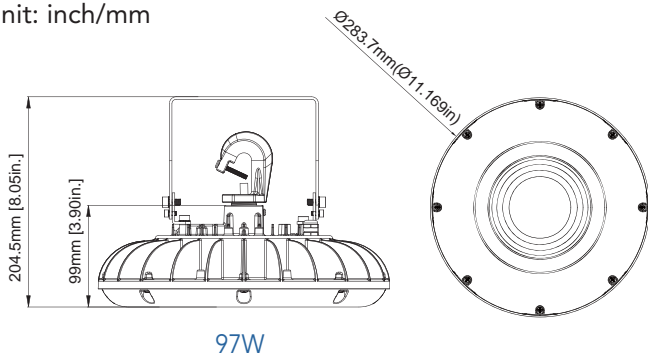
SETTING	PHOTOMETRY	VOLTAGE	97W			215W		
			SYSTEM WATTS	LUMENS (4000K)	LUMENS (5000K)	SYSTEM WATTS	LUMENS (4000K)	LUMENS (5000K)
100%	High Bay	120-277VAC	97W	12700lm	12300lm	215W	30500lm	30000lm
80%	High Bay	120-277VAC	83W	11000lm	11000lm	165W	24500lm	24000lm
60%	High Bay	120-277VAC	65W	9050lm	8900lm	127W	19500lm	19500lm
40%	High Bay	120-277VAC	45W	6680lm	6480lm	84W	13500lm	13500lm

## ELECTRICAL DATA

Number Of Drivers	Driver Current (mA)	Nominal Power (W)	INPUT VOLTAGE (V)	CURRENT (Amps)
1	850	97	120	0.81
		97	208	0.47
		97	240	0.40
		97	277	0.35
1	1065	215	120	1.79
		215	208	1.03
		215	240	0.90
		215	277	0.78

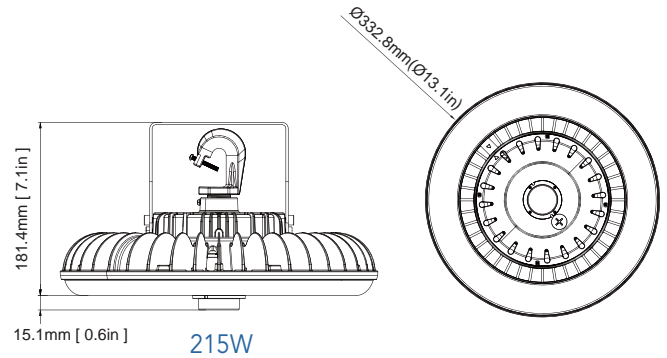
## DIMENSION

unit: inch/mm



97W

Weight: 97W: 5.95 lbs(2.7kg)



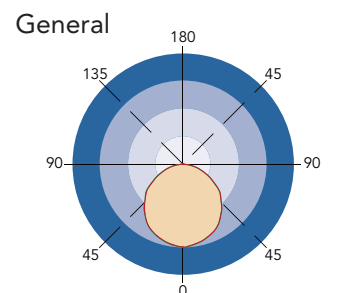
215W

Weight: 215W: 6.61 lbs(3.0kg)

## ACCESSORIES

<p>Built-in microwave sensor, for 97W. (US002-01VR-1)</p>	<p>External microwave sensor, for 215W. (ANT-5-4T)</p>	<p>Yoke for Surface Mount, two sizes.</p>
---	--	---

## PHOTOMETRICS



# ORDERING GUIDE

Example: PFX-5209 97W27VDDKBM1

Fixture Type <input type="text"/>	Wattage <input type="text"/>	Voltage <input type="text"/>	CCT <input type="text"/>	Finish <input type="text"/>	Sensor (Option) <input type="text"/>	Internal Code <input type="text"/>
<b>PFX-5209</b> High Bay Series	<b>97</b> 97W <b>215</b> 215W	<b>27V</b> 120-277V	<b>DDK</b> Adjustable color temperature	<b>B</b> Black <b>D</b> Dark Bronze <b>W</b> White	<b>M</b> With Sensor <b>Blank</b> Without Sensor	<b>Blank</b> <b>Alphanumeric</b>