

PFX-3122

WALL MOUNT

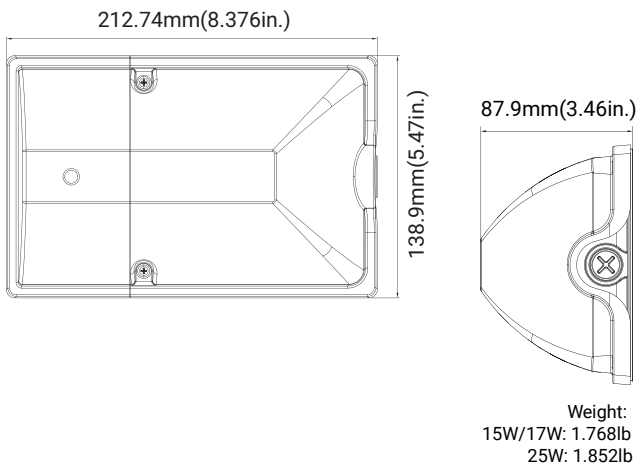


Clear Lens



Frosted Lens

DIMENSION (INCHES)



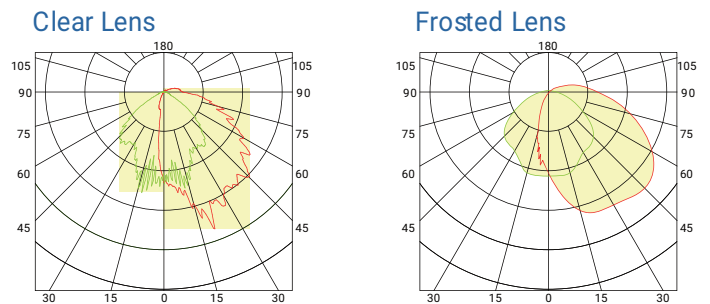
DESCRIPTION

Cast in a traditional design, the LED wall mount luminaire offers the shape you've grown accustomed to coupled with the high-powered and energy-efficient LEDs you want. Photocell for dusk to dawn operation. It is ideal for safety, security and any facilities.

FEATURES

- Tempered UV coated at lens provide outstanding performance, uniformity and glare control.
- Optional clear lens or frosted lens as per applications.
- Scalable Lumen Packages from 1,600 to 2,700 Lumens.
- Light engines are available in standard 3000K/4000 K and 5000 K (70 CRI) configurations.
- Suitable for operation in -40 to 40 ambient environments.
- Universal 120-277 VAC input voltage.
- Both drivers have a power factor >90%, THD <20%, and an expected life of 50,000 hours.
- Estimated 100,000-hour LED lifespan based on IES LM-80 results and TM-21 calculations
- Five-year warranty.

PHOTOMETRICS



ORDERING GUIDE

Sample Part #PFX-3122 17W27V40KDP0F

Fixture Type	Wattage	Voltage	CCT	Finish	Sensor (Option)	Lens
<input type="text"/>	<input type="text"/>	<input type="text"/>	<input type="text"/>	<input type="text"/>	<input type="text"/>	<input type="text"/>
PFX-3122 Wall Mount	15 15W 17 17W 25 25W	27V 120-277V	30K 3000K 40K 4000K 50K 5000K	D Dark Bronze B Black W White	P0 120-277V Photocell Blank Without Photocell	F Frosted Lens Blank Clear Lens

Disclaimer:

Due to the rapid pace of technology change in the Lighting industry, the Information and Data presented in this spec sheet is for reference purpose the order or design. PARAFLEX does not warrant or represent that the information is free from errors or omission. The information may change without notice and PARAFLEX is not in any way liable for the accuracy of any information printed and stored or in any way interpreted or used.

PFX-3122
WALL MOUNT



PERFORMANCE DATA

SYSTEM WATTS	VOLTAGE	ENSC	RI	LUMENS (3000K)	LPW (3000K)	LUMENS (4000K)	LPW (4000K)	LUMENS (5000K)	LPW (5000K)
15W	120-277VAC	Clear Lens	70	1600lm	107 lm/W1	700lm1	13 lm/W	1750lm	117 lm/W
		Frosted Lens	70	1760lm	117 lm/W	1800lm	120 lm/W	1820lm	121 lm/W
17W	120-277VAC	Clear Lens	70	1800lm	106 lm/W1	900lm1	12 lm/W	1950lm	115 lm/W
		Frosted Lens	70	1900lm	112 lm/W	2000lm	118 lm/W2	2020lm1	19 lm/W
25W	120-277VAC	Clear Lens	70	2500lm	100 lm/W2	550lm1	02 lm/W	2600lm	104 lm/W
		Frosted Lens	70	2550lm	102 lm/W	2600lm	104 lm/W	2700lm	108 lm/W

ELECTRICAL DATA

Number Of Drivers	Driver Current (mA)	Nominal Power (W)	INPUT VOLTAGE (V)	CURRENT (Amps)
1	250	15	120	0.13
		15	208	0.07
		15	240	0.06
		15	277	0.05
1	250	17	120	0.14
		17	208	0.08
		17	240	0.07
		17	277	0.06
1	430	25	120	0.21
		25	208	0.12
		25	240	0.10
		25	277	0.09

Disclaimer:

Due to the rapid pace of technology change in the Lighting industry, the Information and Data presented in this spec sheet is for reference purpose the order or design. PARAFLEX does not warrant or represent that the information is free from errors or omission. The information may change without notice and PARAFLEX is not in any way liable for the accuracy of any information printed and stored or in any way interpreted or used.