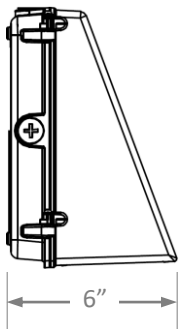
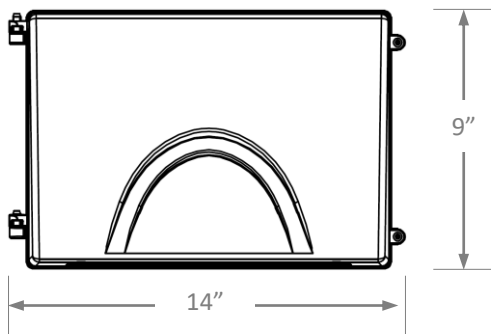


PFX-3145

FULL CUT-OFF WALLPACK



DIMENSIONS



Weight: 8L = 5 lbs / 15L = 5 lbs

FEATURES

- Field selectable 3000k (warm white), 4000k (neutral white), and 5000k (cool white) color temperatures.*
- Long-life LEDs provide at least 70% of initial lumen output (L₇₀) for ≥ 136,000 hours of operation, and at least 90% of initial lumen output (L₉₀) for ≥ 41,000 hours of operation.*
- LED chromaticity based on < 5-step ANSI quadrangles.
- LED color maintenance ≤ 0.003 chromaticity shift (Δu'v') over the initial 6,000 hours of operation.
- Provides a range of 5,200 to 16,800 nominal lumens and 130 to 161 nominal lumens per watt (lm/W).
- 0-10vdc dimming drivers are standard.
- Universal 120-277 AC voltage (50-60Hz) is standard.
- Power factor > 0.90.
- Total harmonic distortion < 20%.
- Color rendering index (R_a) > 80.
- Cast aluminum housing with dark bronze, powder coat finish.
- Polycarbonate lens.
- Three ½" NPT threaded openings.
- Easy installation in new construction or retrofit applications.

WARRANTY & LISTINGS

- cULus listed for wet locations in ambient temperatures from 40°C to 45°C (-40°F to 113°F).
- IP65 rated for ingress protection.
- DLC premium approved.
- Complies with FCC Part 15, class B.
- Surge protection = 4kV.
- 5-year warranty of all electronics and housing.

ORDERING INFORMATION

Example: PFX-3145-WPFC-15L-LKFS-P

Series	Nominal Lumen Output		Select	Photocell	
	8L	15L		B	P
PFX-3145-WPFC	8,000 lumens	15,000 lumens	LKFS	Button photocell	Pencil photocell
				No photocell	

Due to the rapid pace of technology change in the Lighting industry, the Information and Data presented in this spec sheet is for reference purposes only, please confirm with PARAFLEX at the time of finalizing the order or design. PARAFLEX does not warrant or represent that the information is free from errors or omission. The information may change without notice and PARAFLEX is not in any way liable for the accuracy of any information printed and stored or in any way interpreted or used.

PFX-3145

FULL CUT-OFF WALLPACK



ELECTRICAL DATA

Series	Measurements	Low Lumens			Mid Lumens			High Lumens		
		3000K	4000K	5000K	3000K	4000K	5000K	3000K	4000K	5000K
PFX-3145-WPFC-8L-LKFS	Lumens	5251	5526	5722	6659	7048	7198	7877	8682	8552
	Watts	36	35	36	48	46	48	59	57	59
	Efficacy	145	161	158	139	156	151	133	152	144
	Input Current (A)	120V = 0.30A	120V = 0.29A	120V = 0.30A	120V = 0.40A	120V = 0.38A	120V = 0.40A	120V = 0.49A	120V = 0.48A	120V = 0.49A
240V = 0.15A		240V = 0.15A	240V = 0.15A	240V = 0.20A	240V = 0.19A	240V = 0.20A	240V = 0.25A	240V = 0.24A	240V = 0.25A	
277V = 0.13A		277V = 0.13A	277V = 0.13A	277V = 0.17A	277V = 0.17A	277V = 0.17A	277V = 0.21A	277V = 0.21A	277V = 0.21A	

Series	Measurements	Low Lumens			Mid Lumens			High Lumens		
		3000K	4000K	5000K	3000K	4000K	5000K	3000K	4000K	5000K
PFX-3145-WPFC-15L-LKFS	Lumens	10,352	10,987	11,227	12,850	13,760	13,916	15,065	16,848	16,374
	Watts	72	71	72	94	92	94	116	113	116
	Efficacy	143	159	155	136	154	148	130	149	141
	Input Current (A)	120V = 0.60A	120V = 0.59A	120V = 0.60A	120V = 0.78A	120V = 0.77A	120V = 0.78A	120V = 0.97A	120V = 0.94A	120V = 0.97A
240V = 0.30A		240V = 0.30A	240V = 0.30A	240V = 0.39A	240V = 0.38A	240V = 0.39A	240V = 0.48A	240V = 0.47A	240V = 0.48A	
277V = 0.26A		277V = 0.26A	277V = 0.26A	277V = 0.34A	277V = 0.33A	277V = 0.34A	277V = 0.42A	277V = 0.41A	277V = 0.42A	

Due to the rapid pace of technology change in the Lighting industry, the Information and Data presented in this spec sheet is for reference purposes only, please confirm with PARAFLEX at the time of finalizing the order or design. PARAFLEX does not warrant or represent that the information is free from errors or omission. The information may change without notice and PARAFLEX is not in any way liable for the accuracy of any information printed and stored or in any way interpreted or used.