

PFX-3110
LED WALL PACK



FEATURES

COMPACT, HEAVY-DUTY HOUSING

The CV303 is a 12" Square Canopy Luminaire with a Die Cast Aluminum Body and Prismatic Polycarbonate Diffuser with UV Inhibitors

WET LOCATION, IP-65 RATED

Engineered and Constructed for Exterior Environments

EASY TO INSTALL MOUNTING

The CV303 can be Directly Mounted over an Existing 4" Outlet Box or Surface Wired through a 1/2" Conduit Entry

120-277V STANDARD TYPE VS DISTRIBUTION

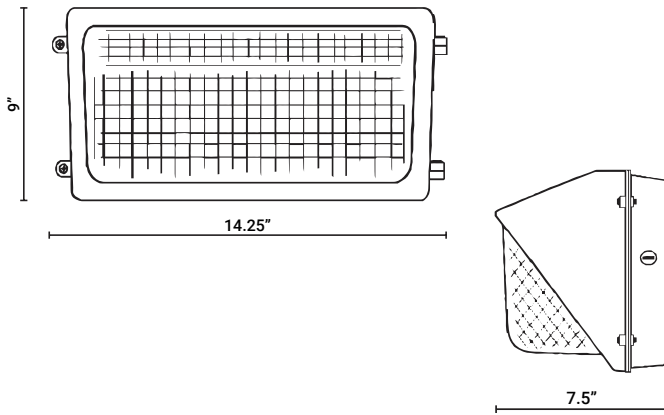
OPERATING TEMPERATURE -20C TO 40C

0C - 40C with EM Pack Option

PRODUCT APPLICATIONS

- Building Canopy
- Storage Facilities
- Parking Garages
- Gas Stations
- Tunnels

DIMENSION (INCHES)



SPECIFICATIONS

NOMINAL WATTAGE	SYSTEM WATTAGE	CCT	LUMENS	EFFICACY	DLC 5.0V LISTING
12W	12.72	3000K	1457.50	114.58	NONE
12W	12.72	4000K	1530.38	120.31	NONE
12W	12.72	5000K	1606.89	126.33	STANDARD
24W	23.02	3000K	2915.00	126.63	STANDARD
24W	23.02	4000K	3060.75	132.96	STANDARD
24W	23.02	5000K	3213.79	139.61	STANDARD
36W	34.27	3000K	4372.50	127.59	STANDARD
36W	34.27	4000K	4591.12	133.97	STANDARD
36W	34.27	5000K	4820.68	140.67	STANDARD
48W	46.60	3000K	5588.65	119.93	NONE
48W	46.60	4000K	5756.31	123.53	NONE
48W	46.60	5000K	5929.00	127.23	NONE
60W	56.83	3000K	6719.78	118.24	NONE
60W	56.83	4000K	7055.77	124.16	NONE
60W	56.83	5000K	7408.56	130.36	STANDARD
72W	67.65	3000K	8252.43	121.99	STANDARD
72W	67.65	4000K	8665.05	128.09	STANDARD
72W	67.65	5000K	9098.31	134.49	STANDARD

ORDERING GUIDE

Sample Part # PFX-3110 - 12W - 35K - BZ - PC1 - D1

MODEL	WATTAGE	COLOR TEMPERATURE (CCT)	HOUSING COLOR	OPTIONS & ACCESSORIES
PFX-3110				
	12W 12 WATTS	27K 2700K - WARM WHITE	BZ BRONZE (STANDARD)	PC1 120V PHOTOCELL
	24W 24 WATTS	30K 3000K - WARM WHITE	WH WHITE	PC2 208/277V PHOTOCELL
	36W 36 WATTS	35K 3500K - NEUTRAL WHITE	BL BLACK	MS MOTION SENSOR
	48W 48 WATTS	40K 4000K - NEUTRAL WHITE	SL SILVER	MS-D2 MOTION SENSOR WITH BILEVEL DIMMING
	60W 60 WATTS	50K 5000K - COOL WHITE	CC CUSTOM COLOR	D1 0-10V DIMMING
	72W 72 WATTS	57K 5700K - DAYLIGHT		D2 STEP DIMMING (120V ONLY)
				EM EMERGENCY BATTERY PACK
				V1* 480/347V INPUT (120-277V STANDARD)

*NOT AVAILABLE WITH EM, PHOTOCELL OR MOTION SENSOR

Disclaimer:

Due to the rapid pace of technology change in the Lighting industry, the Information and Data presented in this spec sheet is for reference purpose the order or design. PARAFLEX does not warrant or represent that the information is free from errors or omission. The information may change without notice and PARAFLEX is not in any way liable for the accuracy of any information printed and stored or in any way interpreted or used.