

PFX-5551

Decorative Outdoor LED
AC/ Emergency Unit



Project:	
Type:	
Catalog #:	

OPTIONAL



ILLUMINATION

- Long lasting, efficient, ultra bright white LEDs.
- 12.0 watts (2 LEDs x 6.0 watt) per unit.
- Mirror-bright reflector and prismatic polycarbonate refractor.
- Can be used as a Normally-ON or Normally-OFF luminaire as well as on a switched circuit.
- Output of 1286 lumens in AC mode and 350 lumens in DC mode.

ELECTRICAL

- Universal 120-277 voltage.
- Charge rate/power "ON" LED indicator light and push-to-test switch for mandated code compliance testing.
- 4.8V long life, maintenance-free, rechargeable NiCd battery.
- Internal solid-state transfer switch automatically connects the internal battery to LED board for minimum 90-minute emergency illumination.
- Fully automatic solid-state, two rate charger initiates battery charging to recharge a discharged battery in 24 hours.
- Self-diagnostic feature performs monthly, bi-annual, and annual tests to ensure reliable operation and meets electrical and life safety codes.
- Photocell control sensor included as standard for use as dusk-to-dawn luminaire.
- Field-selectable wiring allows for AC operation of unit to be controlled using a wall-switch, photocell or other switching mechanism.

MOUNTING

- Universal knockout pattern on back plate for wall mount.
- Threaded opening at the top of the enclosure for conduit mount.



HOUSING

- Decorative, low profile, architectural design.
- Die-cast aluminum housing
- Durable powder-coated finishes in white, black, nickel and dark bronze finish.
- Sealed and gasketed.

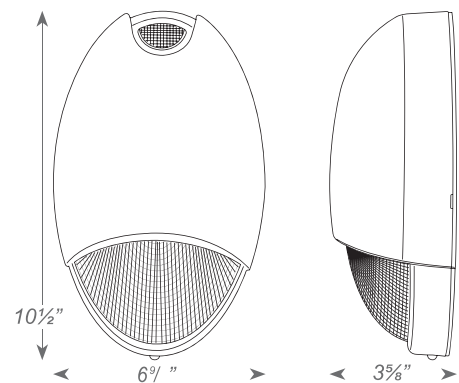
OPTIONS

- CW: Optional internal heater for extreme cold temperature applications (-30°C – 50°C).
- CEC: Certified to CEC under Title 20 Regulations.

WARRANTY / LISTING

- Five year warranty on all electronics and housing. Battery prorated for five years.
- Meets UL924, NFPA 101 Life Safety Code, NEC, OSHA, Local and State Codes.
- UL Listed for wet locations (0°C – 50°C).

DIMENSIONS



Disclaimer:

Due to the rapid pace of technology change in the Lighting industry, the Information and Data presented in this spec sheet is for reference purposes only, please confirm with PARAFLEX at the time of finalizing the order or design. PARAFLEX does not warrant or represent that the information is free from errors or omission. The information may change without notice and PARAFLEX is not in any way liable for the accuracy of any information printed and stored or in any way interpreted or used.

PFX-5551

Decorative Outdoor LED
AC/ Emergency Unit



ORDERING INFORMATION

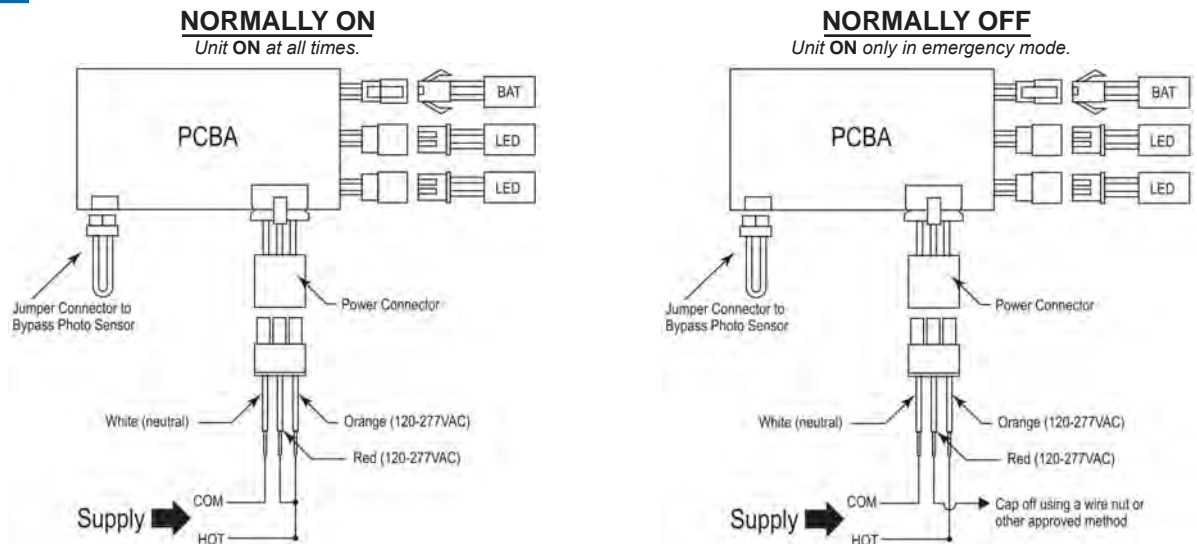
Sample Part Number: PFX5551DBEL-ACEM-HL-BR-SDT-PC

MODEL	HOUSING COLOR		STANDARD FEATURE		STANDARD FEATURE		OPTIONS	
PFX5551 DBEL-ACEM-HL	W	White	SDT	Self-Diagnostics	PC	Photocell Sensor	CW	Cold Weather
	B	Black					CEC	Certified to TITLE 20
	BR	Dark Bronze						
	N	Nickel						

ELECTRICAL INFORMATION

CATALOG NUMBER	INPUT WATTS (W)	INPUT AMPS (A)
PFX5551DBEL-ACEM-HL SDT	2.5	0.04
PFX5551DBEL-ACEM-HL SDT CW	2.8	0.026

WIRING DIAGRAM



Disclaimer:

Due to the rapid pace of technology change in the Lighting industry, the Information and Data presented in this spec sheet is for reference purposes only, please confirm with PARAFLEX at the time of finalizing the order or design. PARAFLEX does not warrant or represent that the information is free from errors or omission. The information may change without notice and PARAFLEX is not in any way liable for the accuracy of any information printed and stored or in any way interpreted or used.

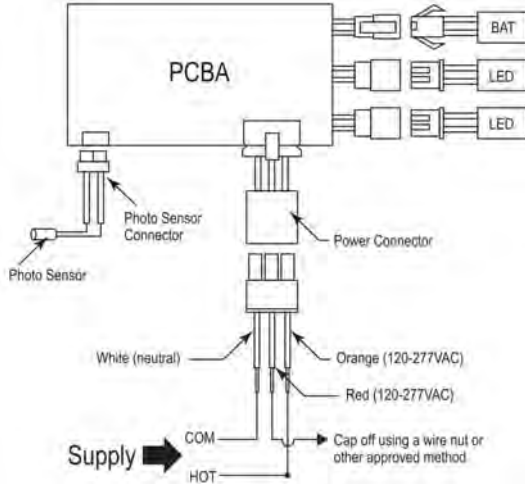
PFX-5551

Decorative Outdoor LED
AC/ Emergency Unit



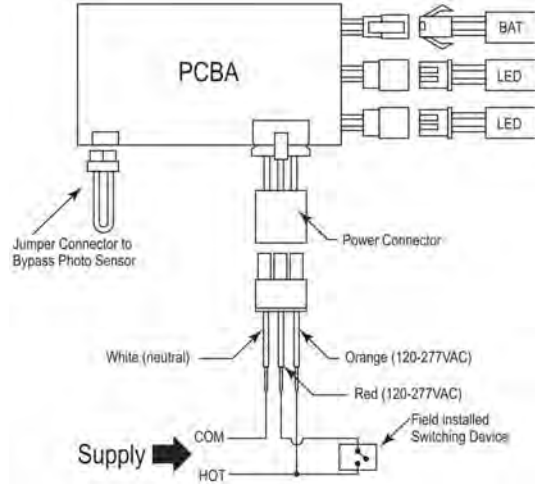
PHOTO SENSOR

Unit **ON** when there is not enough ambient light; will automatically switch to emergency mode during a power outage.



SWITCHED

Controlled operation in AC mode; will automatically switch to emergency mode during a power outage.



Disclaimer:

Due to the rapid pace of technology change in the Lighting industry, the Information and Data presented in this spec sheet is for reference purposes only, please confirm with PARAFLEX at the time of finalizing the order or design. PARAFLEX does not warrant or represent that the information is free from errors or omission. The information may change without notice and PARAFLEX is not in any way liable for the accuracy of any information printed and stored or in any way interpreted or used.