

PFX-3111

LED WALL PACK



FEATURES

LARGE, HEAVY-DUTY HOUSING

The DC200 is a Large 18" Wallpack with a Die Cast Aluminum Body and Prismatic Borosilicate Glass Lens

WET LOCATION, IP-65 RATED

Engineered and Constructed for Exterior Environments

EASY TO INSTALL MOUNTING

The DC200 can be Surface Mounted over an Existing 4" Outlet Box or Surface Wired through a 1/2" Conduit Entry . Additional Conduit entries Available for Photocells & other Component s

120-277V STANDARD TYPE IV DISTRIBUTION

OPERATING TEMPERATURE -20C TO 40C
0C - 40C with EM Pack Option

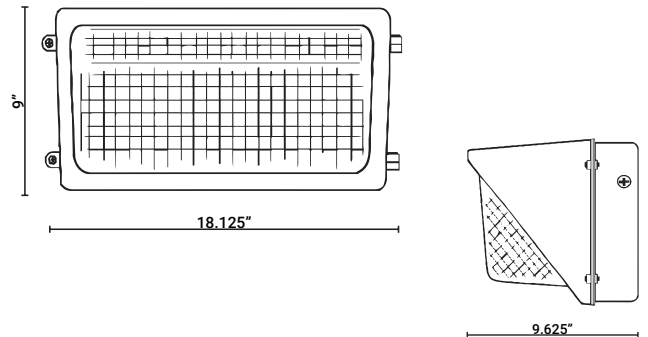
PRODUCT APPLICATIONS

- Building Entrances
- Walkways
- Tunnels
- Loading Docks
- Bridges
- Catwalks
- Stairwells

SPECIFICATIONS

NOMINAL WATTAGE	SYSTEM WATTAGE	CCT	LUMENS	EFFICACY	DLC V5.0 LISTING
12W	12.72	3000K	1,480.50	116.39	NONE
12W	12.72	4000K	1,554.53	122.21	NONE
12W	12.72	5000K	1,632.25	128.32	STANDARD
24W	23.68	3000K	2,961.00	125.04	STANDARD
24W	23.68	4000K	3,109.05	131.29	STANDARD
24W	23.68	5000K	3,264.50	137.86	STANDARD
36W	34.27	3000K	4,441.50	129.60	STANDARD
36W	34.27	4000K	4,663.58	136.08	STANDARD
36W	34.27	5000K	4,896.75	142.89	STANDARD
48W	46.60	3000K	5,922.00	127.08	STANDARD
48W	46.60	4000K	6,218.10	133.44	STANDARD
48W	46.60	5000K	6,529.01	140.11	STANDARD
60W	56.83	3000K	7,402.50	130.26	STANDARD
60W	56.83	4000K	7,772.63	136.77	STANDARD
60W	56.83	5000K	8,161.26	143.61	STANDARD
72W	67.65	3000K	8,883.00	131.31	STANDARD
72W	67.65	4000K	9,327.15	137.87	STANDARD
72W	67.65	5000K	9,793.51	144.77	STANDARD
84W	81.55	3000K	10,363.50	127.08	NONE
84W	81.55	4000K	10,881.68	133.44	NONE
84W	81.55	5000K	11,425.76	140.11	NONE
96W	91.65	3000K	11,844.00	129.23	NONE
96W	91.65	4000K	12,436.20	135.69	NONE
96W	91.65	5000K	13,058.01	142.48	NONE

DIMENSION (INCHES)



ORDERING GUIDE

Sample Part # PFX-3111 - 12W - 35K - BZ - PC1 - D1

MODEL	WATTAGE	COLOR TEMPERATURE (CCT)	HOUSING COLOR	OPTIONS & ACCESSORIES
PFX-3111				
	12W 12 WATTS	27K 2700K - WARM WHITE	BZ BRONZE (STANDARD)	PC1 120V PHOTOCELL
	24W 24 WATTS	30K 3000K - WARM WHITE	WH WHITE	PC2 208/277V PHOTOCELL
	36W 36 WATTS	35K 3500K - NEUTRAL WHITE	BL BLACK	MS MOTION SENSOR
	48W 48 WATTS	40K 4000K - NEUTRAL WHITE	SL SILVER	MS-D2 MOTION SENSOR WITH BILEVEL DIMMING
	60W 60 WATTS	50K 5000K - COOL WHITE	CC CUSTOM COLOR	D1 0-10V DIMMING
	72W 72 WATTS	57K 5700K - DAYLIGHT		D2 STEP DIMMING (120V ONLY)
	84W 84 WATTS			EM EMERGENCY BATTERY PACK
	96W 96 WATTS			V1* 480/347V INPUT (120-277V STANDARD)
				*NOT AVAILABLE WITH EM, PHOTOCELL OR MOTION SENSOR

Disclaimer:

Due to the rapid pace of technology change in the Lighting industry, the Information and Data presented in this spec sheet is for reference purpose the order or design. PARAFLEX does not warrant or represent that the information is free from errors or omission. The information may change without notice and PARAFLEX is not in any way liable for the accuracy of any information printed and stored or in any way interpreted or used.