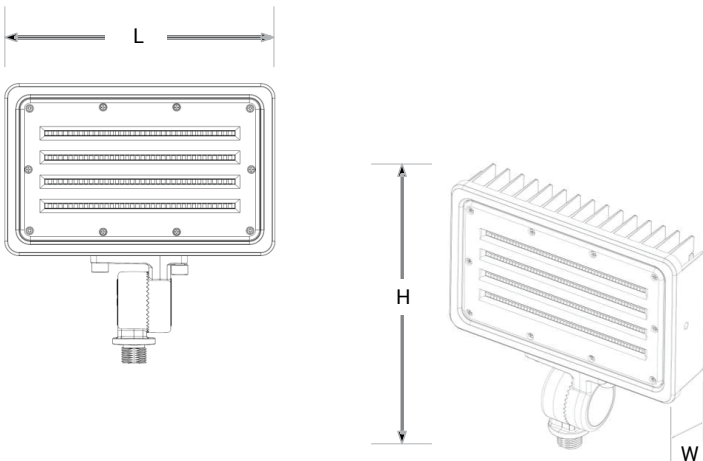


PFX-3516

MULTI PURPOSE AREA LIGHT



DIMENSION (INCHES)



Model	Length (L)	Width (W)	Depth (H)	Weight
2L	4.3"	1.7"	5.8"	1 lbs.
4L	8.7"	1.9"	9"	4 lbs.
7L	8.7"	1.9"	9"	4 lbs.

FEATURES

- Field selectable 3500k (warm/neutral white), 4000k (neutral white) and 5000k (cool white) color temperatures.*
- Long-life LEDs provide up to 149,000 hours of operation with at least 70% of initial lumen output (L70).**
- Available models provide from 2,000 to 7,200 lumens, and from 125 to 156 lumens per watt (LPW).*
- Standard optic provides an IES roadway type V distribution, or a 7V (vertical) x 7H (horizontal) NEMA floodlight distribution.
- Universal 120-277 AC voltage (50-60Hz) is standard.
- 0-10vdc dimming drivers are standard.
- Power factor > 90.
- Total harmonic distortion < 20%.
- Color rendering index > 80.
- Die cast aluminum housing with durable, dark bronze powdercoatfinish.
- Polycarbonate lens.
- Wireway enclosure is sealed with a water-tight, silicon rubbgasket.
- Easy installation in new construction or retrofit applications

WARRANTY & LISTINGS

- cULus listed for wet locations in ambient temperatures from -40°C to 50°C (-40°F to 122°F).
- IP65 rated for ingress protection.
- DLC premium approved.
- Lens is IK 10 rated for protection from external impacts.
- Salt fog tested for 1,000 hours (ASTM B117). After salt fog testing, paint rated at 7 per ASTM D1654-05 scratch test.
- Complies with FCC Part 15, class A.
- Complies with EN61000-4-5, surge immunity protection (4kV).
- 5-year warranty of all electronics and housing.

MOUNTING OPTIONS & ACCESSORIES

Standard aluminum die-cast knuckle-mount for junction box installation. Yoke-mount option provides secure attachment to flat surfaces, 4L & 7L only, sold separately. Line voltage ground stake allows for easy installation for landscape illumination, sold separately.

ORDERING GUIDE

Sample Part PFX-3516-MPAL-4L-LKFS

Series	Nominal Lumen Output		Color Temperature		Mounting Accessorie (Order Separately)	
	PFX-3516 MPAL	2L	2000 lumens	KFS*	3500k	MPAL-KFS-YK
	4L	4000 lumens		4000k	MPOST17L	Line voltage ground stake
	7L	7000 lumens		5000k		

Disclaimer:

Due to the rapid pace of technology change in the Lighting industry, the Information and Data presented in this spec sheet is for reference purpose the order or design. PARAFLEX does not warrant or represent that the information is free from errors or omission. The information may change without notice and PARAFLEX is not in any way liable for the accuracy of any information printed and stored or in any way interpreted or used.

PFX-3516

MULTI PURPOSE AREA LIGHT



ELECTRICAL DATA

Series	Measurements	PFX-3516-MPAL-2L			PFX-3516-MPAL-4L			PFX-3516-MPAL-7L		
		3500K	4000K	5000K	3500K	4000K	5000K	3500K	4000K	5000K
PFX-3516 MPAL-KFS	Lumens	2002	2179	2085	4436	4696	4526	6601	170	6884
	Watts	16	151	6	31	30	31	524	9	51
	Efficacy	125	145	132	142	156	145	126	147	134
	Input Current (A)	120V = 0.13A	120V = 0.13A	120V = 0.13A	120V = 0.26A	120V = 0.25A	120V = 0.26A	120V = 0.43A	120V = 0.41A	120V = 0.43A
240V = 0.07A		240V = 0.06A	240V = 0.07A	240V = 0.13A	240V = 0.13A	240V = 0.13A	240V = 0.22A	240V = 0.20A	240V = 0.21A	
277V = 0.06A		277V = 0.05A	277V = 0.06A	277V = 0.11A	277V = 0.11A	277V = 0.11A	277V = 0.19A	277V = 0.18A	277V = 0.18A	

PHOTOMETRIC DATA

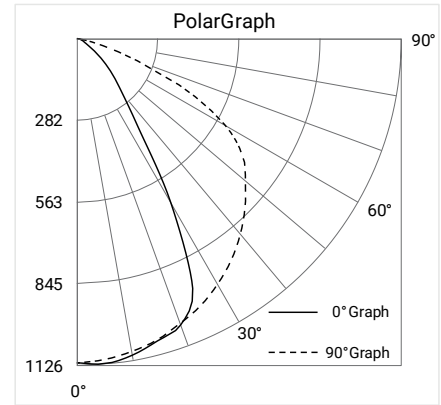
PFX-3516-MPAL-2L-KFS

LuminaireData

Description	Multi Purpose Area Light 2L-K FS
Total Lumens	2,002
Input Wattage	16
Efficacy (lm/W)	126
Max. Cd.	1131.47 (337.5H, 6V)
IES Classification	Type I
Longitudinal Classification	Very Short

Luminaire Classification Systems (LCS)

LCS Zone	Lumens	%	Lum
FL	0-30	4382	1.9%
FM	30-60	88	24.4%
FH	60-80	43	1.7%
FVH	80-90	3	0.2%
BL	0-30	4342	1.7%
BM	30-60	91	24.5%
BH	60-80	13	0.6%
BVH	80-90	0	0.1%
UL	90-100	0	0.0%
UH	100-180	0	0.0%
Total		2,002	100.0%
BUGR Rating			1-U0-G0



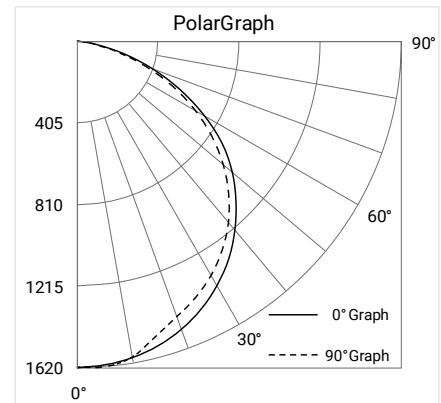
PFX 3516-MPAL-2L-KFS

LuminaireData

Description	Multi Purpose Area Light 4L-K FS
Total Lumens	4,436
Input Wattage	31
Efficacy (lm/W)	142
Max. Cd.	1625.57 (112.5H, 5V)
IES Classification	Type V-S
Longitudinal Classification	Very Short

Luminaire Classification Systems (LCS)

LCS Zone	Lumens	%	Lum
FL	0-30	6251	4.1%
FM	30-60	1,190	26.8%
FH	60-80	72	8.4%
FVH	80-90	60	1.4%
BL	0-30	6291	4.2%
BM	30-60	1,205	27.2%
BH	60-80	83	8.6%
BVH	80-90	60	1.4%
UL	90-100	0	0.0%
UH	100-180	0	0.0%
Total		4,436	99.9%
BUGR Rating			2-U0-G1



Disclaimer:

Due to the rapid pace of technology change in the Lighting industry, the Information and Data presented in this spec sheet is for reference purpose the order or design. PARAFLEX does not warrant or represent that the information is free from errors or omission. The information may change without notice and PARAFLEX is not in any way liable for the accuracy of any information printed and stored or in any way interpreted or used.