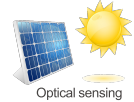


PFX-4022

Solar LED Square Bollard Light



DESCRIPTION

The working principle of Solar LED Square Bollard Light: The solar panel is irradiated by sunlight, absorbs the sun light and converts it into electric energy to charge the battery. At night, the battery pack provides power to supply the LED lighting to realize the illumination.

The DC controller can ensure that the battery pack is not damaged due to overcharging or overdischarging, meanwhile, it has temperature compensation and lightning protection, reverse polarity protection and other functions such as Light control, lighting 3-5 rainy days.

Ideal for parks, apartments, residences, lawns, courtyards, roadways and many other applications.

FEATURES

- High luminous efficiency and long working life.
- A special solar controller is used.
- Osram light source chip is used.
- Monocrystalline silicon solar panel
- Excellent optics design, greatly improve the light utilization and evenness.



SPECIFICATION

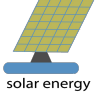
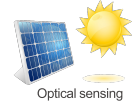
TYPE	PFX-4022-SPSBL5W5-50K-B
WATTAGE	5W
CCT	5000K
LUMEN	1896.3LM
CRI	80
MATERIAL	Die-casting aluminum
SOLAR PANELS	5V/5W
BATTERY	3.2V/8000mAh
CHIP	OSRAM 3030
LAMP SIZE	7.87 X 7.87 X 9.45 inch
WORKING TIME	8H
CHARGING TIME	3-5H
WORKING TEMPERATURE	-4°F ~ 122°F
CABLE	NO
OUTDOOR RATING	IP65
WARRANTY	2 year limited

Note: Includes a pre-installed dusk-to-dawn light photocell sensor

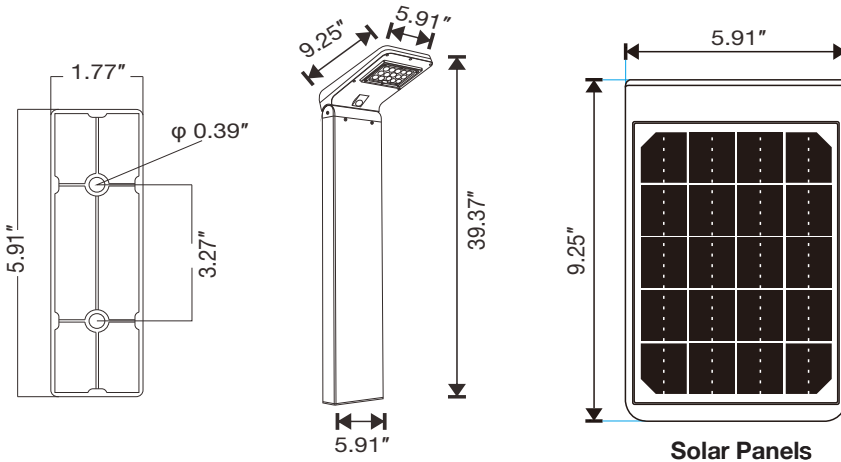
Disclaimer:
Due to the rapid pace of technology change in the Lighting industry, the Information and Data presented in this spec sheet is for reference purposes only, please confirm with PARAFLEX at the time of finalizing the order or design. PARAFLEX does not warrant or represent that the information is free from errors or omission. The information may change without notice and PARAFLEX is not in any way liable for the accuracy of any information printed and stored or in any way interpreted or used.

PFX-4022

Solar LED Square Bollard Light



DIMENSION



PACKAGING INFORMATION

❖ **PFX-4022-SPSBL5W5-50K-B**

INNER BOX:

940MMX160MMX150MM(1Pcs/CTN)
(37.01" X6.30" X5.91")

OUTER BOX:

960MM X680MM X330MM (8Pcs/CTN)
(37.80" X26.77" X12.99")

SPECIFICATIONS:

Shell materials: Aluminum & PC

Net weight : 6.55 lbs

Finish: Black(Standard)

Product Size: 9.25 X5.91"X39.37

(235mm X150mmX 1000mm)

ACCESSORIES



Expansion Screw



SCREW

ORDERING GUIDE

PFX-4022-SPSBL5W5-50K-Z [D, W, B, S]

Model Number	Product	wattage	Voltage	CCT	Finish
PFX-4022	SPSBL (Solar LED Square Bollard Light)	5W	5V	5000K	D - (Dark Bronze)
					W - (White)
					B - (Black)
					S - (Silver)

Disclaimer:
Due to the rapid pace of technology change in the Lighting industry, the Information and Data presented in this spec sheet is for reference purposes only, please confirm with PARAFLEX at the time of finalizing the order or design. PARAFLEX does not warrant or represent that the information is free from errors or omission. The information may change without notice and PARAFLEX is not in any way liable for the accuracy of any information printed and stored or in any way interpreted or used.