

PFX-3114

FLEXIBLE LED WALL MOUNT



FEATURES

IP66 HEAVY-DUTY HOUSING

PFX-3114 is constructed with Die Cast Aluminum End-Caps and Individually sealed LED Modules to create a Heavy-Duty Housing

FLEXIBLE LIGHT OUTPUT CONFIGURATIONS

Extensive offering of Wattage, Optics and CCT options allow the ZWM to meet a wide-range of project requirements

EASY TO INSTALL MOUNTING HARDWARE

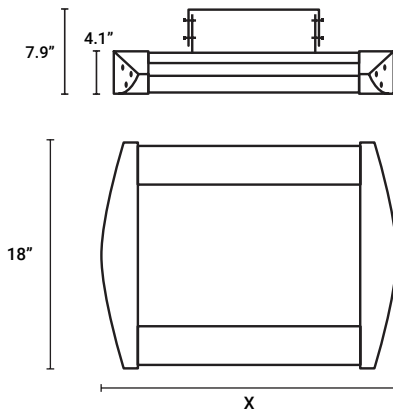
The ZWM comes standard with a Wall Mount Bracket engineered to be installed within a variety of Exterior Applications

120-277V STANDARD

PRODUCT APPLICATIONS

- Parking Lots
- Loading Docks
- Walkways
- Bridges
- Tunnels
- Catwalks

DIMENSION (INCHES)



SPECIFICATIONS

WATTAGE	DELIVERED LUMENS	EFFICACY	MODULES	X WIDTH
60W	7,380 LM	123 LM/W	2	10.7"
100W	12,300 LM	123 LM/W	3	13.5"
120W	14,760 LM	123 LM/W	4	16.3"
150W	18,450 LM	123 LM/W	5	19.1"
200W	24,600 LM	123 LM/W	6	21.9"
250W	30,750 LM	123 LM/W	7	24.7"
300W	36,900 LM	123 LM/W	8	27.5"

ORDERING GUIDE

Sample Part # PFX-3114 - 100W - 40K - 80D - BZ - PC - D1

MODEL	WATTAGE	CCT	OPTICS	HOUSING COLOR	OPTIONS & ACCESSORIES
PFX-3114	60W 60 WATTS 100W 100 WATTS 120W 120 WATTS 150W 150 WATTS 200W 200 WATTS 250W 250 WATTS 300W 300 WATTS	30K 3000K - WARM WHITE 40K 4000K - NEUTRAL WHITE 50K 5000K - COOL WHITE 57K 5700K - DAYLIGHT	T1 TYPE I T2 TYPE II T3 TYPE III T4 TYPE IV 20D TYPE V - 20° BEAM ANGLE 40D TYPE V - 40° BEAM ANGLE 80D TYPE V - 80° BEAM ANGLE 170D TYPE V - 170° BEAM ANGLE	BZ BRONZE (STANDARD) WH WHITE BL BLACK SL SILVER	PC 3 PIN 120V-277V PHOTOCCELL MS1 MOTION SENSOR WITH DIMMING MS2 MOTION SENSOR ON/OFF ONLY D1 0-10V DIMMING SGS SIDE GLARE SHIELD SET (Factory Installed only) FBGS FRONT & BACK GLARE SHIELD (Factory Installed only) WG PROTECTIVE WIRE GUARD EM EMERGENCY BATTERY BACKUP NC1 NETWORK CONTROLS FOR ZIGBEE V1+ 480/347V INPUT (120-277V STANDARD)

*NOT AVAILABLE WITH A PHOTOCCELL, EM OR MOTION SENSOR

Disclaimer:

Due to the rapid pace of technology change in the Lighting industry, the Information and Data presented in this spec sheet is for reference purpose the order or design. PARAFLEX does not warrant or represent that the information is free from errors or omission. The information may change without notice and PARAFLEX is not in any way liable for the accuracy of any information printed and stored or in any way interpreted or used.

PFX-3114

FLEXIBLE LED WALL MOUNT



PRODUCT SPECIFICATIONS (CONT.)

IP66 HOUSING

Body is comprised of heavy duty die cast end caps with extruded aluminum sides connecting them. As the fixture increases in wattage, the extruded portions become longer to accommodate additional LED modules. The driver is housed inside one of the end caps. Since the LED modules and driver are all individually sealed, the entire fixture is vented to improve thermal dissipation. A 6' 18/3 power supply cord is standard on all models.

IP66 OPTICS

The LED modules are individually sealed, with each board mounted directly to a heat-sink and lens

LENS CONSTRUCTION

The lens is made of molded acrylic and also acts as the primary optic for the fixture

DIMENSIONS

Fixed size for the end caps, variable size depending on wattage (number of modules) for the extruded sides

FINISH

Exterior rated powder coat. Available in standard Bronze, Silver, White, Black, or in a Custom Color

WARRANTY

10-Year Limited Warranty

LEDS

DRIVER

Meanwell HLG Series Driver mounted with screws onto a raised rib casting within the luminaire's end-caps; Contact factory for specifications.

EMERGENCY BATTERY BACKUP

Optional EM Battery Backup available on some configurations. Contact Factory for details.

MOTION SENSOR

Motion Sensor On/Off & Motion sensor with dimming (Bi-Level Dimming) available as options.

VOLTAGE

120-277V Input Standard, 347V/480V Input Available. THD <20% Power Factor >90%

DIMMING

0-10V Dimmable Driver is available as an option.

CONTROLS

Zigbee Connectivity is Available as an Option

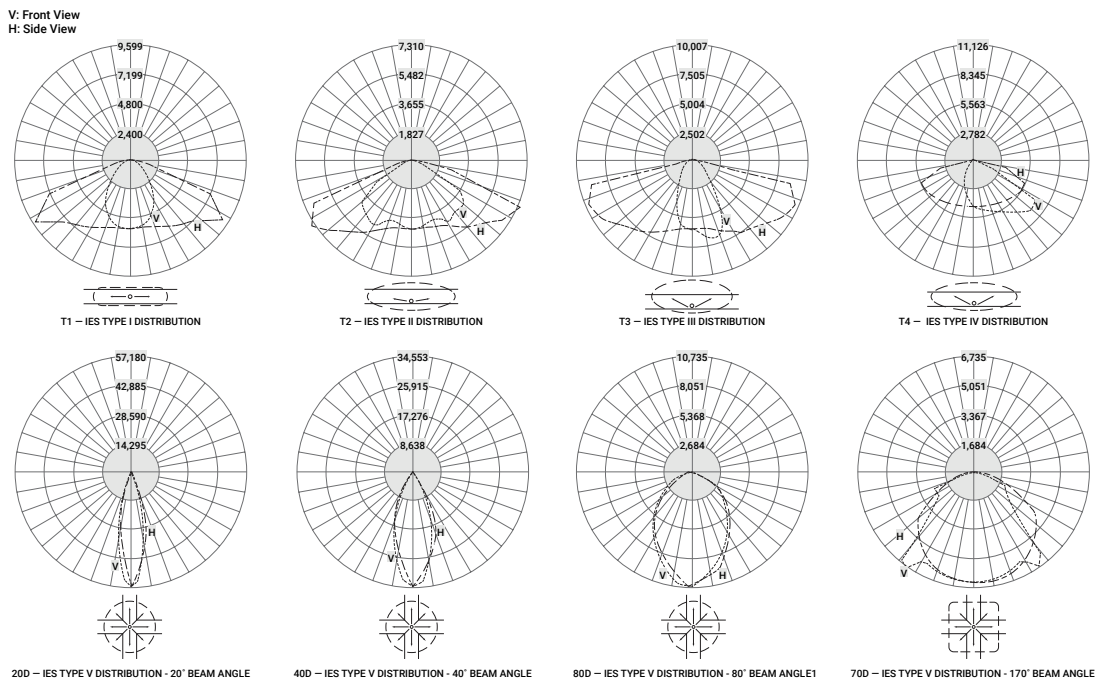
OPERATING TEMPERATURE

-20C to 40C.

LUMEN MAINTENANCE

L70 Rating of over 150,000 Hours up to 40C

PHOTOMETRICS / AXIAL DIAGRAMS:150W-40K



Disclaimer:

Due to the rapid pace of technology change in the Lighting industry, the Information and Data presented in this spec sheet is for reference purpose the order or design. PARAFLEX does not warrant or represent that the information is free from errors or omission. The information may change without notice and PARAFLEX is not in any way liable for the accuracy of any information printed and stored or in any way interpreted or used.