

# CY100

UP/DOWN CYLINDER

PROJECT  
NOTES

DATE

TYPE



REV: 02 2021



### IP65 RATED HOUSING

The Cylinder Sconce is a cylindrical wall fixture with a fabricated aluminum body and tempered glass lens.

### WET LOCATION

Engineered and Constructed for Exterior Environments

### EASY TO INSTALL MOUNTING

The Cylinder Sconce is Surface Mounted over an Existing 4" Outlet Box or Surface Wired through a 1/2" Conduit Entry

### STANDARD

120V

### PRODUCT APPLICATIONS

- |               |               |
|---------------|---------------|
| Site Lighting | Bridges       |
| Walkways      | Catwalks      |
| Stairways     | Parking Areas |

*When Specifying Options, Please Check with Factory for Availability and Lead-Time.*

## ORDERING GUIDE

Sample Part # CY100 - 30W - 30K - BZ

MODEL	WATTAGE	CCT	COLOR - HOUSING
CY100	30W*		BZ
	30W (15W UP + 15W DOWN)	30K 3000K 40K 4000K 50K 5000K	BZ BRONZE (STANDARD)

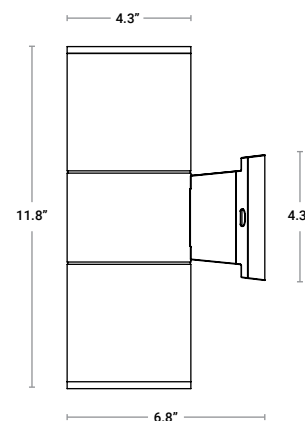
\* Internal Switch allows a choice of down light or up/down light

## PRODUCT SPECIFICATIONS

### ELECTRICAL DATA

Wattage	Color Temp	Lumens	Watts	Lumens / Watt	Input Current (A)
					120V
30W	30K	2,446	24	82	0.25
30W	40K	2,467	24	82	0.25
30W	50K	2,509	40	82	0.25

### DIMENSIONS (INCHES)



PARAFLEX does not warrant or represent that the information is free from errors or omission. The information may change without notice and PARAFLEX is not in any way liable for the accuracy of any information printed and stored or in any way interpreted or used.

# CY100

UP/DOWN LIGHT

PARAFLEX does not warrant or represent that the information is free from errors or omission. The information may change without notice and PARAFLEX is not in any way liable for the accuracy of any information printed and stored or in any way interpreted or used.

## FEATURES

Long-life LEDs provide at least 153,000 hours of operation with at least 70% of initial lumen output (L70).

120AC voltage (50/60Hz) is standard.

Power factor > 0.90.

Color rendering index > 80.

Aluminum housing and glass lenses.

Dark bronze power coat finish.

Easy installation in new construction or retrofit

## WARRANTY & LISTINGS

cETLus listed for wet locations.

Energy Star qualified.

Complies with FCC Part 15, Class B.

Complies with EN61000 EN61000-4-5, surge immunity protection (1kV).

RoHS compliant.

5-year warranty of all electronics and housing.

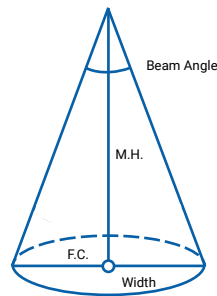
## PHOTOMETRIC DATA

### CY100-30W-50K

#### Luminaire Data

Description	Up/Down Cylinder, 3k
Total Lumens	2,509
Input Wattage	30
Efficacy (lm/W)	82
Beam Angle	H=45.1, V=45.1
Field Angle	H=86.9, V=86.9

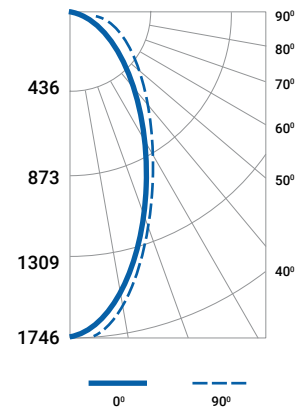
#### Cone of Light



#### Candela Table (lm)

0°	1,746
10°	1,512
20°	997
30°	589
40°	277
50°	22
60°	6
70°	4
80°	4
90°	0
100°	4
110°	4
120°	6
130°	22
140°	277
150°	589
160°	997
170°	1,512
180°	1,745

#### Polar Graph



#### Zonal Lumen Summary

Zone	Lumens	%Fixt
0° – 20°	506	20.2%
0° – 30°	858	34.2%
0° – 40°	1,131	45.1%
0° – 60°	1,243	49.6%
0° – 80°	1,253	49.9%
0° – 90°	1,254	50.0%
90° – 180°	1,254	50.0%
0° – 180°	2,509	100.0%

#### Cone of Light Table

M.H.	F.C.	Width
4'	109	3.3'
6'	48	5.0'
8'	27	6.6'
10'	17	8.3'
12'	12	10.0'
14'	9	11.6'
16'	7	13.3'