



Applications:

Suitable for commercial, retail and institutional applications including gymnasiums, factories and warehouses.

Features

- Sealed die-casting profile for indoor and outdoor applications.
- 0-10V dimming standard for a dimming range of 100% to 0%.
- Best choice for replacing 250W MH and 400W MH.
- Efficacy up to 150 lumens per watt.
- Increase energy savings with optional sensors.
- Switchable color temperature (3000K/4000K/5000K).
- Adjustable lumen output with four lumen settings (100%, 80%, 60%, 40%).
- Operating temperature is -40°C to 40°C(-40°F to 104°F).
- Ring mount, pendant mount and surface mount available.



100W



150W





CCT & Power regulator
Offer four selectable lumen output (40%/60%/80%/100%) and three CCTs(30K/40K/50K).



Installation accessory
Available for both ring mounting and surface mounting with bracket(optional). Bracket allows to adjust the direction to illuminate any area you need.

Housing
Rugged die-cast housing with corrosion-resistant powder coating for effective protection.

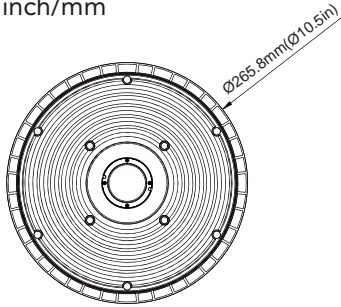
External sensor (optional)
PIR sensor allows for security and energy saving.

PERFORMANCE DATA

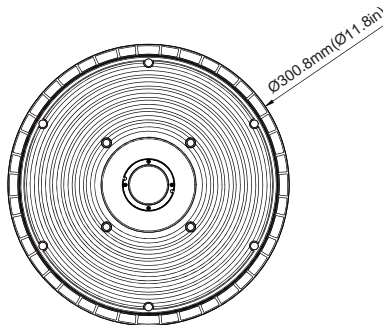
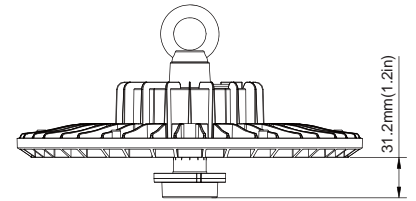
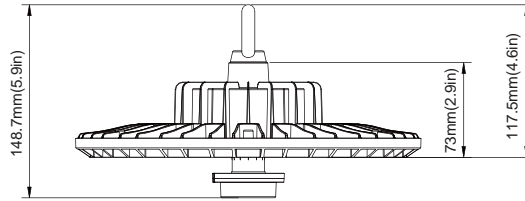
SYSTEM WATTS	VOLTAGE	PHOTOMETRY	LUMENS 3000K(70CRI)	LPW 3000K(70CRI)	LUMENS 4000K(70CRI)	LPW 4000K(70CRI)	LUMENS 5000K(70CRI)	LPW 5000K(70CRI)
100W	120-277VAC	High Bay	14000lm	140 lm/W	15000lm	150 lm/W	14200lm	142 lm/W
150W	120-277VAC	High Bay	21000 lm	140 lm/W	22500 lm	150 lm/W	21500 lm	143 lm/W

DIMENSION

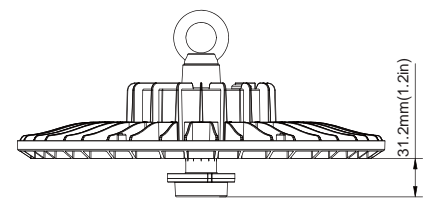
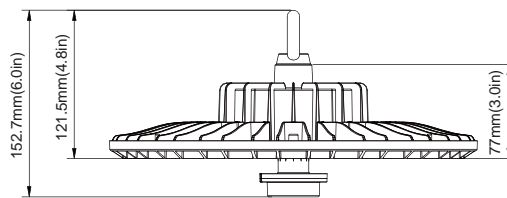
unit: inch/mm



100W



150W

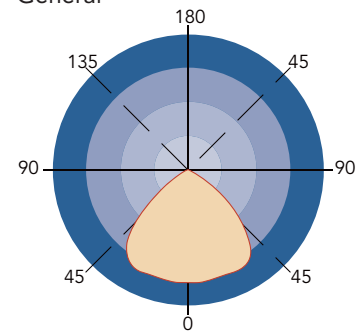


ACCESSORIES

<p>External PIR sensor (ANT-6-4T)</p>	<p>Yoke for Surface Mount, two sizes.</p>
---	---

PHOTOMETRICS

General



ORDERING GUIDE

Example: PFX-5210 100W27VDDKBM

Fixture Type	Wattage	Voltage	CCT	Finish	Sensor (Option)	Internal Code
<input type="text"/>	<input type="text"/>	<input type="text"/>	<input type="text"/>	<input type="text"/>	<input type="text"/>	<input type="text"/>
PFX-5210 High Bay Series	100W 150W	27V 120-277V	DDK Adjustable color temperature	B Black D Dark Bronze W White	M With Sensor Blank Without Sensor	Blank Alphanumeric