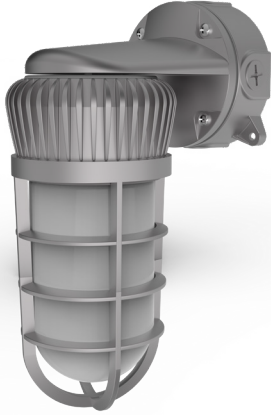


# PFX-5605

VAPOR PROOF



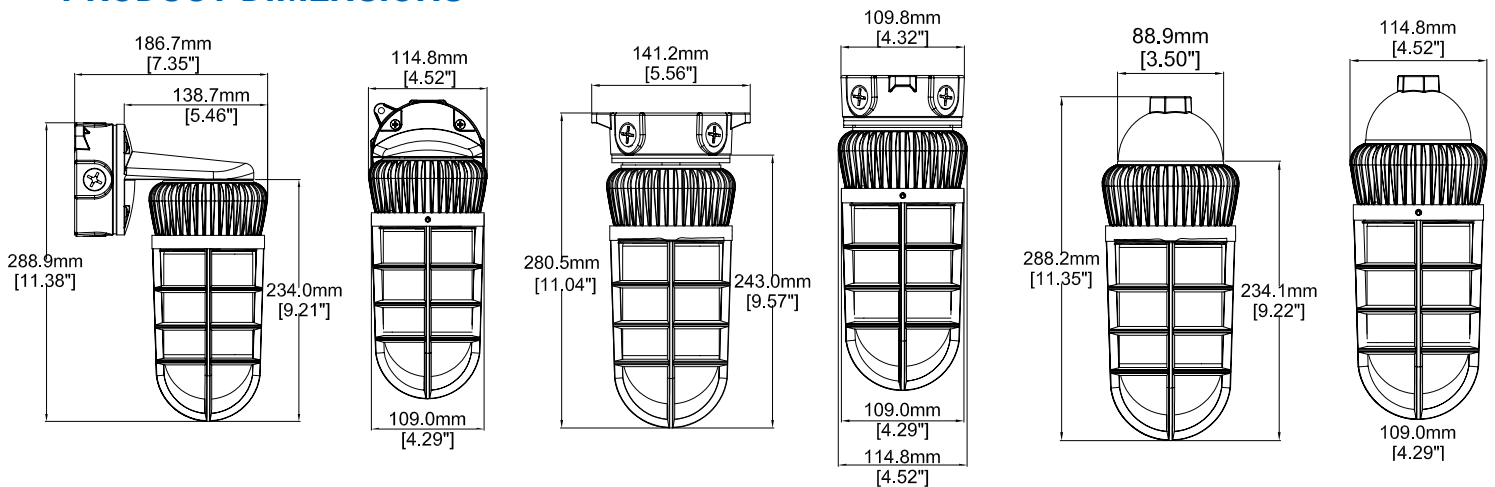
## PRODUCT SPECIFICATIONS

SYSTEM WATTAGE	14W
LUMENS	1200LM
EFFICACY	UP TO 86LPW
INPUT VOLTAGE	120-277V
CCT	5000K
CRI	> 7
WEIGHT	1.85lbs
AMBIENT TEMP.	-30 - 40°C
LED Performance	L70>50000h
STANDARD WARRANTY	5 Years

## FEATURES

- Designed with precision die-cast aluminum housing for industrial and architectural applications
- Three different types of mounts are available and comes with a wide range of globe and guard accessories
- Ideal for entrances, stairwells, man doors, outdoor walkways, tunnels, and service areas
- High quality chip and driver @ 5 year warranty

## PRODUCT DIMENSIONS



**Disclaimer:**  
Due to the rapid pace of technology change in the Lighting industry, the Information and Data presented in this spec sheet is for reference purposes only, please confirm with PARAFLEX at the time of finalizing the order or design. PARAFLEX does not warrant or represent that the information is free from errors or omission. The information may change without notice and PARAFLEX is not in any way liable for the accuracy of any information printed and stored or in any way interpreted or used.

# PFX-5605

VAPOR PROOF



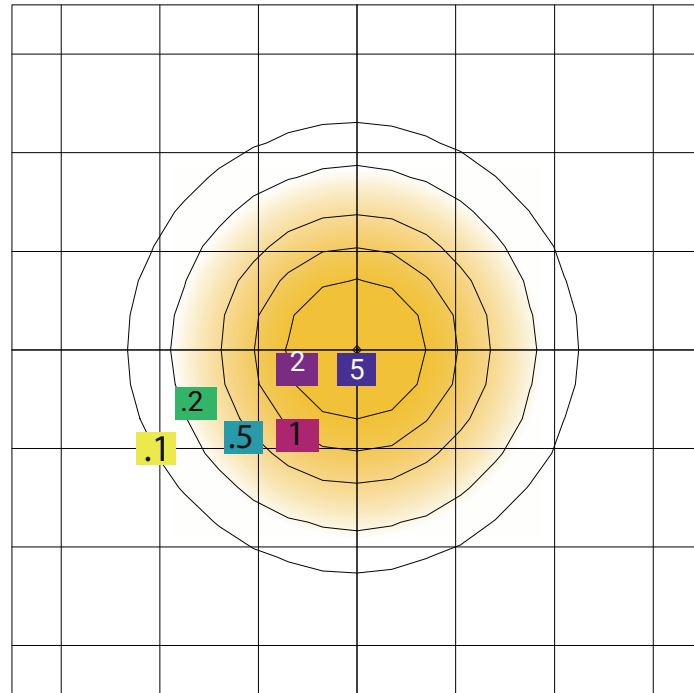
## ORDERING GUIDE

PFX 5605-14W-50K-V8-D-FP-SB-PM

MODEL	WATTAGE	CCT	VOLTAGE	DIMMING OPTION	OPTICS	HOUSING FINISH	MOUNTING
PFX 5605-VPL	14W	50K = 5000K	V8 = 120-277V	D = Dimming	FG = Frost PC + Guard	SB = Sand Blast	PM = Pendant CM = Ceiling WM = Wall

## PHOTOMETRY

PHOTOMETRY VPL-14W  
Mounting Height=10.00 FT



SCALE: 1 INCH = 10 FT. LIGHT  
LOSS FACTOR = 1.00

MAXIMUM CALCULATED VALUE = 5.15 FC  
FOOT CANDLE= .1 .2 .5 1 2 5

**Disclaimer:**

Due to the rapid pace of technology change in the Lighting industry, the Information and Data presented in this spec sheet is for reference purposes only, please confirm with PARAFLEX at the time of finalizing the order or design. PARAFLEX does not warrant or represent that the information is free from errors or omission. The information may change without notice and PARAFLEX is not in any way liable for the accuracy of any information printed and stored or in any way interpreted or used.